

3/8" Drive Pass-Thru™ Bit Sockets

- Socket system features the Pass-Thru™ drive system that links drive tools and sockets
- Reach fasteners in tight spaces with ease
- S2 steel insert bits offer maximum strength
- Bright, full polish chrome finish easily wipes clean and resists corrosion
- Hard stamped size markings



Cat. No.	Drive Type	Fastener Size	Overall Length	Exposed Bit Length	Product Weight
89027	Hex	9/64 in	1.8 in	.72 in	0.128 lb
89028	Hex	5/32 in	1.8 in	.72 in	0.128 lb
89029	Hex	3/16 in	1.8 in	.72 in	0.132 lb
89030	Hex	7/32 in	1.8 in	.72 in	0.132 lb
89031	Hex	1/4 in	1.8 in	.72 in	0.143 lb
89032	Hex	5/16 in	1.8 in	.72 in	0.143 lb
89033	Hex	3/8 in	1.8 in	.72 in	0.143 lb
89034	Hex	4 mm	1.8 in	.72 in	0.128 lb
89035	Hex	5 mm	1.8 in	.72 in	0.128 lb
89036	Hex	6 mm	1.8 in	.72 in	0.132 lb
89037	Hex	7 mm	1.8 in	.72 in	0.143 lb
89038	Hex	8 mm	1.8 in	.72 in	0.143 lb
89039	Hex	10 mm	1.8 in	.72 in	0.143 lb
89022	Torx®	T40	1.8 in	.72 in	0.128 lb
89023	Torx®	T45	1.8 in	.72 in	0.132 lb
89024D	Torx®	T47	1.8 in	.72 in	0.132 lb
89025D	Torx®	T50	1.8 in	.72 in	0.142 lb
89026	Torx®	T55	1.8 in	.72 in	0.143 lb

RATCHETS, SOCKETS, AND DRIVE TOOLS

WRENCHES

IMPACT

TORQUE WRENCHES

SCREWDRIVERS & NUTDRIVERS

PLIERS

CUTTING AND FILING

STRIKING AND STRUCK

PRY BARS

LIGHTING

AUTOMOTIVE SPECIALTY

TOOL STORAGE

MASTER SETS



16 Pc. 120XP™ Universal Spline SAE XL Combination Ratcheting Wrench Set

- 120XP™ wrenches have two double stacked 60-tooth pawls (120 positions) providing a 3° swing arc so you can turn fasteners in tighter confines
- Universal spline drive fits 12-point, 6-point, rounded 6-point, spline, External Torx® and square fasteners
- XL beam design is up to 25% longer than standard wrenches for improved reach, leverage, and torque
- Dual-direction off-corner loading for better grip and reduced fastener rounding
- Highly visible, recessed size markings are color coded for easy identification
- Reduced ratcheting box end diameter for improved access
- Manufactured from alloy steel for better strength and longer tool life
- Bright, full polish chrome finish easily wipes clean and resists corrosion
- Included rack for storage and organization

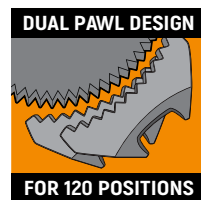


Cat. No.	Included Storage	Product Weight
86451	Wrench Rack	7.170 lb

Cat. No.	Description	Cat. No.	Description
86430	7/32" 120XP™ Universal Spline XL Ratcheting Combination Wrench	86438	9/16" 120XP™ Universal Spline XL Ratcheting Combination Wrench
86431	1/4" 120XP™ Universal Spline XL Ratcheting Combination Wrench	86439	5/8" 120XP™ Universal Spline XL Ratcheting Combination Wrench
86432	9/32" 120XP™ Universal Spline XL Ratcheting Combination Wrench	86440	11/16" 120XP™ Universal Spline XL Ratcheting Combination Wrench
86433	5/16" 120XP™ Universal Spline XL Ratcheting Combination Wrench	86441	3/4" 120XP™ Universal Spline XL Ratcheting Combination Wrench
86434	11/32" 120XP™ Universal Spline XL Ratcheting Combination Wrench	86442	13/16" 120XP™ Universal Spline XL Ratcheting Combination Wrench
86435	3/8" 120XP™ Universal Spline XL Ratcheting Combination Wrench	86443	7/8" 120XP™ Universal Spline XL Ratcheting Combination Wrench
86436	7/16" 120XP™ Universal Spline XL Ratcheting Combination Wrench	86444	15/16" 120XP™ Universal Spline XL Ratcheting Combination Wrench
86437	1/2" 120XP™ Universal Spline XL Ratcheting Combination Wrench	86445	1" 120XP™ Universal Spline XL Ratcheting Combination Wrench



Dual Pawl Ratchet Mechanism

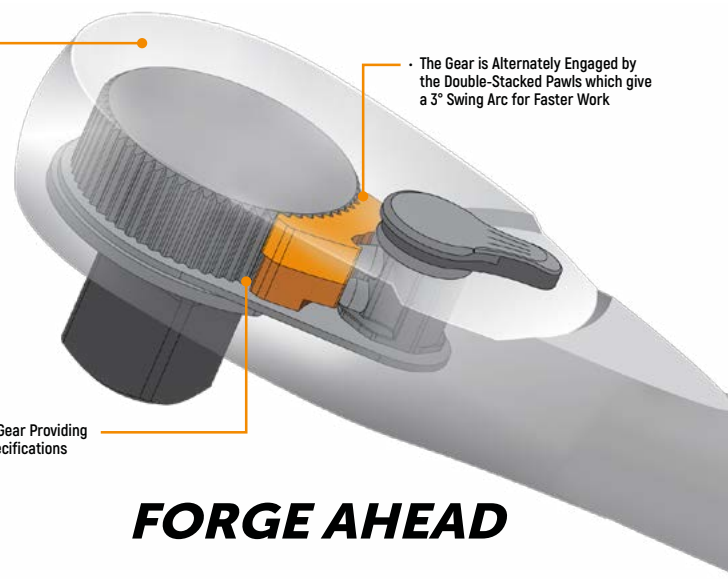


• Teardrop Low Profile Head and Flush Mounted On/Off Switch Allow Better Access in Tight Spaces
 • Enclosed Head Design for Extreme Resistance to Dirt Infiltration



• The Gear is Alternately Engaged by the Double-Stacked Pawls which give a 3° Swing Arc for Faster Work

• Double-Stacked Pawls Engage a 60-tooth Gear Providing Exceptional Strength, Exceeding ASME Specifications



FORGE AHEAD

11 Pc. 120XP™ Universal Spline SAE XL Combination Ratcheting Wrench Set

- 120XP™ wrenches have two double stacked 60-tooth pawls (120 positions) providing a 3° swing arc so you can turn fasteners in tighter confines
- Universal spline drive fits 12-point, 6-point, rounded 6-point, spline, External Torx® and square fasteners
- XL beam design is up to 25% longer than standard wrenches for improved reach, leverage, and torque
- Dual-direction off-corner loading for better grip and reduced fastener rounding
- Highly visible, recessed size markings are color coded for easy identification
- Reduced ratcheting box end diameter for improved access
- Manufactured from alloy steel for better strength and longer tool life
- Bright, full polish chrome finish easily wipes clean and resists corrosion
- Included rack for storage and organization



Cat. No.	Included Storage	Product Weight
86450	Wrench Rack	2.86 lb

Cat. No.	Description	Cat. No.	Description
86431	1/4" 120XP™ Universal Spline XL Ratcheting Combination Wrench	86437	1/2" 120XP™ Universal Spline XL Ratcheting Combination Wrench
86432	9/32" 120XP™ Universal Spline XL Ratcheting Combination Wrench	86438	9/16" 120XP™ Universal Spline XL Ratcheting Combination Wrench
86433	5/16" 120XP™ Universal Spline XL Ratcheting Combination Wrench	86439	5/8" 120XP™ Universal Spline XL Ratcheting Combination Wrench
86434	11/32" 120XP™ Universal Spline XL Ratcheting Combination Wrench	86440	11/16" 120XP™ Universal Spline XL Ratcheting Combination Wrench
86435	3/8" 120XP™ Universal Spline XL Ratcheting Combination Wrench	86441	3/4" 120XP™ Universal Spline XL Ratcheting Combination Wrench
86436	7/16" 120XP™ Universal Spline XL Ratcheting Combination Wrench		



7 Pc. 120XP™ Universal Spline SAE XL Combination Ratcheting Wrench Set

- 120XP™ wrenches have two double stacked 60-tooth pawls (120 positions) providing a 3° swing arc so you can turn fasteners in tighter confines
- Universal spline drive fits 12-point, 6-point, rounded 6-point, spline, External Torx® and square fasteners
- XL beam design is up to 25% longer than standard wrenches for improved reach, leverage, and torque
- Dual-direction off-corner loading for better grip and reduced fastener rounding
- Highly visible, recessed size markings are color coded for easy identification
- Reduced ratcheting box end diameter for improved access
- Manufactured from alloy steel for better strength and longer tool life
- Bright, full polish chrome finish easily wipes clean and resists corrosion
- Included rack for storage and organization



Cat. No.	Included Storage	Product Weight
86452	Wrench Rack	10.775 lb

Cat. No.	Description	Cat. No.	Description
86442	13/16" 120XP™ Universal Spline XL Ratcheting Combination Wrench	86446	1-1/16" 120XP™ Universal Spline XL Ratcheting Combination Wrench
86443	7/8" 120XP™ Universal Spline XL Ratcheting Combination Wrench	86447	1-1/8" 120XP™ Universal Spline XL Ratcheting Combination Wrench
86444	15/16" 120XP™ Universal Spline XL Ratcheting Combination Wrench	86448	1-1/4" 120XP™ Universal Spline XL Ratcheting Combination Wrench
86445	1" 120XP™ Universal Spline XL Ratcheting Combination Wrench		



16 Pc. 120XP™ Universal Spline Metric XL Combination Ratcheting Wrench Set

- 120XP™ wrenches have two double stacked 60-tooth pawls (120 positions) providing a 3° swing arc so you can turn fasteners in tighter confines
- Universal spline drive fits 12-point, 6-point, rounded 6-point, spline, External Torx® and square fasteners
- XL beam design is up to 25% longer than standard wrenches for improved reach, leverage, and torque
- Dual-direction off-corner loading for better grip and reduced fastener rounding
- Highly visible, recessed size markings are color coded for easy identification
- Reduced ratcheting box end diameter for improved access
- Manufactured from alloy steel for better strength and longer tool life
- Bright, full polish chrome finish easily wipes clean and resists corrosion
- Included rack for storage and organization



Cat. No.	Included Storage	Product Weight
86427	Wrench Rack	7.950 lb

Cat. No.	Description	Cat. No.	Description
86408	8mm 120XP™ Universal Spline XL Ratcheting Combination Wrench	86416	16mm 120XP™ Universal Spline XL Ratcheting Combination Wrench
86409	9mm 120XP™ Universal Spline XL Ratcheting Combination Wrench	86417	17mm 120XP™ Universal Spline XL Ratcheting Combination Wrench
86410	10mm 120XP™ Universal Spline XL Ratcheting Combination Wrench	86418	18mm 120XP™ Universal Spline XL Ratcheting Combination Wrench
86411	11mm 120XP™ Universal Spline XL Ratcheting Combination Wrench	86419	19mm 120XP™ Universal Spline XL Ratcheting Combination Wrench
86412	12mm 120XP™ Universal Spline XL Ratcheting Combination Wrench	86420	20mm 120XP™ Universal Spline XL Ratcheting Combination Wrench
86413	13mm 120XP™ Universal Spline XL Ratcheting Combination Wrench	86421	21mm 120XP™ Universal Spline XL Ratcheting Combination Wrench
86414	14mm 120XP™ Universal Spline XL Ratcheting Combination Wrench	86422	22mm 120XP™ Universal Spline XL Ratcheting Combination Wrench
86415	15mm 120XP™ Universal Spline XL Ratcheting Combination Wrench	86424	24mm 120XP™ Universal Spline XL Ratcheting Combination Wrench

14 Pc. 120XP™ Universal Spline Metric XL Combination Ratcheting Wrench Set

- 120XP™ wrenches have two double stacked 60-tooth pawls (120 positions) providing a 3° swing arc so you can turn fasteners in tighter confines
- Universal spline drive fits 12-point, 6-point, rounded 6-point, spline, External Torx® and square fasteners
- XL beam design is up to 25% longer than standard wrenches for improved reach, leverage, and torque
- Dual-direction off-corner loading for better grip and reduced fastener rounding
- Highly visible, recessed size markings are color coded for easy identification
- Reduced ratcheting box end diameter for improved access
- Manufactured from alloy steel for better strength and longer tool life
- Bright, full polish chrome finish easily wipes clean and resists corrosion
- Included rack for storage and organization



Cat. No.	Included Storage	Product Weight
86426	Wrench Rack	4.230 lb

Cat. No.	Description	Cat. No.	Description
86406	6mm 120XP™ Universal Spline XL Ratcheting Combination Wrench	86413	13mm 120XP™ Universal Spline XL Ratcheting Combination Wrench
86407	7mm 120XP™ Universal Spline XL Ratcheting Combination Wrench	86414	14mm 120XP™ Universal Spline XL Ratcheting Combination Wrench
86408	8mm 120XP™ Universal Spline XL Ratcheting Combination Wrench	86415	15mm 120XP™ Universal Spline XL Ratcheting Combination Wrench
86409	9mm 120XP™ Universal Spline XL Ratcheting Combination Wrench	86416	16mm 120XP™ Universal Spline XL Ratcheting Combination Wrench
86410	10mm 120XP™ Universal Spline XL Ratcheting Combination Wrench	86417	17mm 120XP™ Universal Spline XL Ratcheting Combination Wrench
86411	11mm 120XP™ Universal Spline XL Ratcheting Combination Wrench	86418	18mm 120XP™ Universal Spline XL Ratcheting Combination Wrench
86412	12mm 120XP™ Universal Spline XL Ratcheting Combination Wrench	86419	19mm 120XP™ Universal Spline XL Ratcheting Combination Wrench

4 Pc. 120XP™ Universal Spline Metric XL Combination Ratcheting Wrench Set

- 120XP™ wrenches have two double stacked 60-tooth pawls (120 positions) providing a 3° swing arc so you can turn fasteners in tighter confines
- Universal spline drive fits 12-point, 6-point, rounded 6-point, spline, External Torx® and square fasteners
- XL beam design is up to 25% longer than standard wrenches for improved reach, leverage, and torque
- Dual-direction off-corner loading for better grip and reduced fastener rounding
- Highly visible, recessed size markings are color coded for easy identification
- Reduced ratcheting box end diameter for improved access
- Manufactured from alloy steel for better strength and longer tool life
- Bright, full polish chrome finish easily wipes clean and resists corrosion
- Included rack for storage and organization



Cat. No.	Included Storage	Product Weight
86428	Wrench Rack	4.240 lb



Cat. No.	Description	Cat. No.	Description
86420	20mm 120XP™ Universal Spline XL Ratcheting Combination Wrench	86422	22mm 120XP™ Universal Spline XL Ratcheting Combination Wrench
86421	21mm 120XP™ Universal Spline XL Ratcheting Combination Wrench	86424	24mm 120XP™ Universal Spline XL Ratcheting Combination Wrench

120XP™ Universal Spline XL Combination Ratcheting Wrenches

- 120XP™ wrenches have two double stacked 60-tooth pawls (120 positions) providing a 3° swing arc so you can turn fasteners in tighter confines
- Universal spline drive fits 12-point, 6-point, rounded 6-point, spline, External Torx® and square fasteners
- XL beam design is up to 25% longer than standard wrenches for improved reach, leverage, and torque
- Dual-direction off-corner loading on open end for better grip and reduced fastener rounding
- Highly visible, recessed size markings are color coded for easy identification
- Reduced ratcheting box end diameter for improved access
- Manufactured from alloy steel for better strength and longer tool life
- Bright, full polish chrome finish easily wipes clean and resists corrosion



Cat. No.	SAE/Metric	Fastener Size	End A Width	End A Thickness	End B Width	End B Thickness	Overall Length	Product Weight
86430	SAE	7/32 in	.54 in	0.17 in	0.55 in	0.27 in	5.31 in	0.250 lb
86431	SAE	1/4 in	.54 in	0.17 in	0.55 in	0.27 in	5.31 in	0.860 lb
86432	SAE	9/32 in	.65 in	0.18 in	0.63 in	0.27 in	5.91 in	0.120 lb
86433	SAE	5/16 in	.56 in	0.18 in	0.63 in	0.27 in	5.91 in	0.120 lb
86434	SAE	11/32 in	.73 in	0.19 in	0.73 in	0.27 in	6.5 in	0.130 lb

Cat. No.	SAE/Metric	Fastener Size	End A Width	End A Thickness	End B Width	End B Thickness	Overall Length	Product Weight
86435	SAE	3/8 in	.81 in	0.21 in	0.81 in	0.29 in	7.09 in	0.160 lb
86436	SAE	7/16 in	.91 in	0.22 in	0.85 in	0.3 in	7.68 in	0.200 lb
86437	SAE	1/2 in	1.02 in	0.25 in	0.94 in	0.34 in	8.66 in	0.275 lb
86438	SAE	9/16 in	1.16 in	0.27 in	1.02 in	0.37 in	9.25 in	0.397 lb
86439	SAE	5/8 in	1.31 in	0.3 in	1.13 in	0.41 in	10.24 in	0.505 lb
86440	SAE	11/16 in	1.42 in	0.32 in	1.22 in	0.42 in	10.83 in	0.530 lb
86441	SAE	3/4 in	1.56 in	0.35 in	1.34 in	0.44 in	12.01 in	0.675 lb
86442	SAE	13/16 in	1.69 in	0.35 in	1.57 in	0.49 in	12.52 in	1.060 lb
86443	SAE	7/8 in	1.77 in	0.35 in	1.65 in	0.51 in	12.99 in	0.930 lb
86444	SAE	15/16 in	1.93 in	0.39 in	1.77 in	0.55 in	14.02 in	1.210 lb
86445	SAE	1 in	2.01 in	0.39 in	1.85 in	0.57 in	14.49 in	1.300 lb
86446	SAE	1-1/16 in	2.2 in	0.41 in	1.97 in	0.61 in	15.51 in	1.555 lb
86447	SAE	1-1/8 in	2.28 in	0.45 in	2.09 in	0.63 in	16.54 in	1.920 lb
86448	SAE	1-1/4 in	2.56 in	0.47 in	2.32 in	0.69 in	18.39 in	2.380 lb
86406	Metric	6 mm	.54 in	.17 in	.55 in	.27 in	5.31 in	0.105 lb
86407	Metric	7 mm	0.65 in	0.18 in	0.63 in	.27 in	5.91 in	0.110 lb
86408	Metric	8 mm	0.65 in	0.18 in	0.63 in	.27 in	5.91 in	0.590 lb
86409	Metric	9 mm	0.73 in	0.19 in	0.73 in	.27 in	6.5 in	0.130 lb
86410	Metric	10 mm	0.81 in	0.21 in	0.81 in	.29 in	7.09 in	0.165 lb
86411	Metric	11 mm	0.91 in	0.22 in	0.85 in	.3 in	7.68 in	0.115 lb
86412	Metric	12 mm	0.96 in	0.24 in	0.91 in	.32 in	8.15 in	0.850 lb
86413	Metric	13 mm	1.02 in	0.25 in	0.94 in	.34 in	8.66 in	0.275 lb
86414	Metric	14 mm	1.16 in	0.27 in	1.02 in	.37 in	9.25 in	0.230 lb
86415	Metric	15 mm	1.26 in	0.29 in	1.1 in	.39 in	9.84 in	0.850 lb
86416	Metric	16 mm	1.31 in	0.3 in	1.18 in	.41 in	10.24 in	0.600 lb
86417	Metric	17 mm	1.42 in	0.32 in	1.22 in	.42 in	10.83 in	0.573 lb
86418	Metric	18 mm	1.49 in	0.33 in	1.26 in	.44 in	11.42 in	0.580 lb
86419	Metric	19 mm	1.56 in	0.35 in	1.34 in	0.44 in	12.01 in	0.690 lb
86420	Metric	20 mm	1.65 in	0.35 in	1.54 in	0.47 in	12.2 in	0.860 lb
86421	Metric	21 mm	1.69 in	0.35 in	1.57 in	0.49 in	12.52 in	0.745 lb
86422	Metric	22 mm	1.77 in	0.35 in	1.65 in	0.51 in	12.99 in	0.930 lb
86424	Metric	24 mm	1.93 in	0.39 in	1.77 in	0.55 in	14.02 in	1.210 lb

13 Pc. 12 Point SAE XL Combination Ratcheting Wrench Set with Roll

- 72 tooth ratcheting box end needs a minimal 5° to move fasteners vs. 30° for standard wrenches
- Off-corner loading design on box end provides better grip and reduces fastener rounding
- Thin head and beam provide greater access in confined work areas
- Size conveniently stamped on both ends of the beam for quick identification
- Manufactured from alloy steel for better strength and longer tool life
- Bright, full polish chrome finish easily wipes clean and resists corrosion
- Longer beam provides greater access to confined work areas vs. standard length wrenches
- Meets or exceeds ASME and ANSI specifications
- Included tool roll for storage and organization



Cat. No.	Included Storage	Product Weight
85199R	Tool Roll	3.65 lb



Cat. No.	Description	Cat. No.	Description
85108	1/4" 12 Point XL Ratcheting Combination Wrench	85122D	11/16" 12 Point XL Ratcheting Combination Wrench
85110	5/16" 12 Point XL Ratcheting Combination Wrench	85124D	3/4" 12 Point XL Ratcheting Combination Wrench
85112	3/8" 12 Point XL Ratcheting Combination Wrench	85126	13/16" 12 Point XL Ratcheting Combination Wrench
85114	7/16" 12 Point XL Ratcheting Combination Wrench	85128	7/8" 12 Point XL Ratcheting Combination Wrench
85116	1/2" 12 Point XL Ratcheting Combination Wrench	85130	15/16" 12 Point XL Ratcheting Combination Wrench
85118	9/16" 12 Point XL Ratcheting Combination Wrench	85132	1" 12 Point XL Ratcheting Combination Wrench
85120D	5/8" 12 Point XL Ratcheting Combination Wrench		

13 Pc. 12 Point SAE XL Combination Ratcheting Wrench Set with Rack

- 72 tooth ratcheting box end needs a minimal 5° to move fasteners vs. 30° for standard wrenches
- Off-corner loading design on box end provides better grip and reduces fastener rounding
- Thin head and beam provide greater access in confined work areas
- Size conveniently stamped on both ends of the beam for quick identification
- Manufactured from alloy steel for better strength and longer tool life
- Bright, full polish chrome finish easily wipes clean and resists corrosion
- Longer beam provides greater access to confined work areas vs. standard length wrenches
- Meets or exceeds ASME and ANSI specifications
- Included rack for storage and organization



Cat. No.	Included Storage	Product Weight
85199	Wrench Rack	7.62 lb



Cat. No.	Description	Cat. No.	Description
85108	1/4" 12 Point XL Ratcheting Combination Wrench	85122D	11/16" 12 Point XL Ratcheting Combination Wrench
85110	5/16" 12 Point XL Ratcheting Combination Wrench	85124D	3/4" 12 Point XL Ratcheting Combination Wrench
85112	3/8" 12 Point XL Ratcheting Combination Wrench	85126	13/16" 12 Point XL Ratcheting Combination Wrench
85114	7/16" 12 Point XL Ratcheting Combination Wrench	85128	7/8" 12 Point XL Ratcheting Combination Wrench
85116	1/2" 12 Point XL Ratcheting Combination Wrench	85130	15/16" 12 Point XL Ratcheting Combination Wrench
85118	9/16" 12 Point XL Ratcheting Combination Wrench	85132	1" 12 Point XL Ratcheting Combination Wrench
85120D	5/8" 12 Point XL Ratcheting Combination Wrench		

8 Pc. 12 Point SAE XL Combination Ratcheting Wrench Set with Rack

- 72 tooth ratcheting box end needs a minimal 5° to move fasteners vs. 30° for standard wrenches
- Off-corner loading design on box end provides better grip and reduces fastener rounding
- Thin head and beam provide greater access in confined work areas
- Size conveniently stamped on both ends of the beam for quick identification
- Manufactured from alloy steel for better strength and longer tool life
- Bright, full polish chrome finish easily wipes clean and resists corrosion
- Longer beam provides greater access to confined work areas vs. standard length wrenches
- Meets or exceeds ASME and ANSI specifications
- Included rack for storage and organization



Cat. No.	Included Storage	Product Weight
85198	Wrench Rack	3.12 lb



Cat. No.	Description	Cat. No.	Description
85110	5/16" 12 Point XL Ratcheting Combination Wrench	85118	9/16" 12 Point XL Ratcheting Combination Wrench
85112	3/8" 12 Point XL Ratcheting Combination Wrench	85120D	5/8" 12 Point XL Ratcheting Combination Wrench
85114	7/16" 12 Point XL Ratcheting Combination Wrench	85122D	11/16" 12 Point XL Ratcheting Combination Wrench
85116	1/2" 12 Point XL Ratcheting Combination Wrench	85124D	3/4" 12 Point XL Ratcheting Combination Wrench

7 Pc. 12 Point SAE XL Combination Ratcheting Wrench Set with Roll

- 72 tooth ratcheting box end needs a minimal 5° to move fasteners vs. 30° for standard wrenches
- Off-corner loading design on box end provides better grip and reduces fastener rounding
- Thin head and beam provide greater access in confined work areas
- Size conveniently stamped on both ends of the beam for quick identification
- Manufactured from alloy steel for better strength and longer tool life
- Bright, full polish chrome finish easily wipes clean and resists corrosion
- Longer beam provides greater access to confined work areas vs. standard length wrenches
- Meets or exceeds ASME and ANSI specifications
- Included tool roll for storage and organization



Cat. No.	Included Storage	Product Weight
85197R	Tool Roll	3.25 lb



Cat. No.	Description	Cat. No.	Description
85112	3/8" 12 Point XL Ratcheting Combination Wrench	85120D	5/8" 12 Point XL Ratcheting Combination Wrench
85114	7/16" 12 Point XL Ratcheting Combination Wrench	85122D	11/16" 12 Point XL Ratcheting Combination Wrench
85116	1/2" 12 Point XL Ratcheting Combination Wrench	85124D	3/4" 12 Point XL Ratcheting Combination Wrench
85118	9/16" 12 Point XL Ratcheting Combination Wrench		

16 Pc. 12 Point Metric XL Combination Ratcheting Wrench Set with Roll

- 72 tooth ratcheting box end needs a minimal 5° to move fasteners vs. 30° for standard wrenches
- Off-corner loading design on box end provides better grip and reduces fastener rounding
- Thin head and beam provide greater access in confined work areas
- Size conveniently stamped on both ends of the beam for quick identification
- Manufactured from alloy steel for better strength and longer tool life
- Bright, full polish chrome finish easily wipes clean and resists corrosion
- Longer beam provides greater access to confined work areas vs. standard length wrenches
- Meets or exceeds ASME and ANSI specifications
- Included tool roll for storage and organization



Cat. No.	Included Storage	Product Weight
85099R	Tool Roll	8.64 lb



Cat. No.	Description	Cat. No.	Description
85008D	8mm 12 Point XL Ratcheting Combination Wrench	85016	16mm 12 Point XL Ratcheting Combination Wrench
85009	9mm 12 Point XL Ratcheting Combination Wrench	85017	17mm 12 Point XL Ratcheting Combination Wrench
85010	10mm 12 Point XL Ratcheting Combination Wrench	85018	18mm 12 Point XL Ratcheting Combination Wrench
85011	11mm 12 Point XL Ratcheting Combination Wrench	85019	19mm 12 Point XL Ratcheting Combination Wrench
85012	12mm 12 Point XL Ratcheting Combination Wrench	85020	20mm 12 Point XL Ratcheting Combination Wrench
85013D	13mm 12 Point XL Ratcheting Combination Wrench	85021	21mm 12 Point XL Ratcheting Combination Wrench
85014	14mm 12 Point XL Ratcheting Combination Wrench	85022	22mm 12 Point XL Ratcheting Combination Wrench
85015	15mm 12 Point XL Ratcheting Combination Wrench	85024D	24mm 12 Point XL Ratcheting Combination Wrench

16 Pc. 12 Point Metric XL Combination Ratcheting Wrench Set with Rack

- 72 tooth ratcheting box end needs a minimal 5° to move fasteners vs. 30° for standard wrenches
- Off-corner loading design on box end provides better grip and reduces fastener rounding
- Thin head and beam provide greater access in confined work areas
- Size conveniently stamped on both ends of the beam for quick identification
- Manufactured from alloy steel for better strength and longer tool life
- Bright, full polish chrome finish easily wipes clean and resists corrosion
- Longer beam provides greater access to confined work areas vs. standard length wrenches
- Meets or exceeds ASME and ANSI specifications
- Included rack for storage and organization



Cat. No.	Included Storage	Product Weight
85099	Wrench Rack	8.26 lb



Cat. No.	Description	Cat. No.	Description
85008D	8mm 12 Point XL Ratcheting Combination Wrench	85016	16mm 12 Point XL Ratcheting Combination Wrench
85009	9mm 12 Point XL Ratcheting Combination Wrench	85017	17mm 12 Point XL Ratcheting Combination Wrench
85010	10mm 12 Point XL Ratcheting Combination Wrench	85018	18mm 12 Point XL Ratcheting Combination Wrench
85011	11mm 12 Point XL Ratcheting Combination Wrench	85019	19mm 12 Point XL Ratcheting Combination Wrench
85012	12mm 12 Point XL Ratcheting Combination Wrench	85020	20mm 12 Point XL Ratcheting Combination Wrench
85013D	13mm 12 Point XL Ratcheting Combination Wrench	85021	21mm 12 Point XL Ratcheting Combination Wrench
85014	14mm 12 Point XL Ratcheting Combination Wrench	85022	22mm 12 Point XL Ratcheting Combination Wrench
85015	15mm 12 Point XL Ratcheting Combination Wrench	85024D	24mm 12 Point XL Ratcheting Combination Wrench

12 Pc. 12 Point Metric XL Combination Ratcheting Wrench Set with Rack

- 72 tooth ratcheting box end needs a minimal 5° to move fasteners vs. 30° for standard wrenches
- Off-corner loading design on box end provides better grip and reduces fastener rounding
- Thin head and beam provide greater access in confined work areas
- Size conveniently stamped on both ends of the beam for quick identification
- Manufactured from alloy steel for better strength and longer tool life
- Bright, full polish chrome finish easily wipes clean and resists corrosion
- Longer beam provides greater access to confined work areas vs. standard length wrenches
- Meets or exceeds ASME and ANSI specifications
- Included rack for storage and organization



Cat. No.	Included Storage	Product Weight
85098	Wrench Rack	4.12 lb



Cat. No.	Description	Cat. No.	Description
85008D	8mm 12 Point XL Ratcheting Combination Wrench	85014	14mm 12 Point XL Ratcheting Combination Wrench
85009	9mm 12 Point XL Ratcheting Combination Wrench	85015	15mm 12 Point XL Ratcheting Combination Wrench
85010	10mm 12 Point XL Ratcheting Combination Wrench	85016	16mm 12 Point XL Ratcheting Combination Wrench
85011	11mm 12 Point XL Ratcheting Combination Wrench	85017	17mm 12 Point XL Ratcheting Combination Wrench
85012	12mm 12 Point XL Ratcheting Combination Wrench	85018	18mm 12 Point XL Ratcheting Combination Wrench
85013D	13mm 12 Point XL Ratcheting Combination Wrench	85019	19mm 12 Point XL Ratcheting Combination Wrench

12 Point XL Combination Ratcheting Wrenches

- 72 tooth ratcheting box end needs a minimal 5° to move fasteners vs. 30° for standard wrenches
- Off-corner loading design on box end provides better grip and reduces fastener rounding
- Thin head and beam provide greater access in confined work areas
- Size conveniently stamped on both ends of the beam for quick identification
- Manufactured from alloy steel for better strength and longer tool life
- Bright, full polish chrome finish easily wipes clean and resists corrosion
- Longer beam provides greater access to confined work areas vs. standard length wrenches
- Meets or exceeds ASME and ANSI specifications



Cat. No.	SAE/Metric	Fastener Size	End A Width	End A Thickness	End B Width	End B Thickness	Overall Length	Product Weight
85108	SAE	1/4 in	0.57 in	0.18 in	0.61 in	0.26 in	5.31 in	0.09 lb
85110	SAE	5/16 in	0.77 in	0.2 in	0.67 in	0.27 in	5.91 in	0.12 lb
85112	SAE	3/8 in	0.86 in	0.22 in	0.78 in	0.3 in	7.09 in	0.17 lb
85114	SAE	7/16 in	0.95 in	0.25 in	0.85 in	0.32 in	7.68 in	0.20 lb
85116	SAE	1/2 in	1.15 in	0.32 in	0.98 in	0.34 in	8.66 in	0.30 lb
85118	SAE	9/16 in	1.23 in	0.33 in	1.04 in	0.37 in	9.25 in	0.38 lb
85120D	SAE	5/8 in	1.36 in	0.35 in	1.2 in	0.41 in	10.24 in	0.43 lb
85122D	SAE	11/16 in	1.49 in	0.36 in	1.27 in	0.42 in	10.83 in	0.49 lb
85124D	SAE	3/4 in	1.63 in	0.37 in	1.34 in	0.44 in	12.01 in	0.76 lb
85126	SAE	13/16 in	1.77 in	0.4 in	1.54 in	0.51 in	12.51 in	0.95 lb
85128	SAE	7/8 in	1.87 in	0.42 in	1.54 in	0.51 in	13 in	1.01 lb
85130	SAE	15/16 in	2.01 in	0.44 in	1.75 in	0.57 in	14 in	1.25 lb
85132	SAE	1 in	2.09 in	0.46 in	1.75 in	0.57 in	14.5 in	1.39 lb
85007	Metric	7 mm	0.64 in	0.19 in	0.62 in	0.26 in	5.61 in	0.09 lb
85008D	Metric	8 mm	0.77 in	0.2 in	0.67 in	0.27 in	5.91 in	0.12 lb
85009	Metric	9 mm	0.77 in	0.21 in	0.7 in	0.27 in	6.5 in	0.14 lb
85010	Metric	10 mm	0.86 in	0.22 in	0.78 in	0.3 in	7.09 in	0.16 lb
85011	Metric	11 mm	0.95 in	0.25 in	0.85 in	0.32 in	7.68 in	0.20 lb
85012	Metric	12 mm	1.05 in	0.29 in	0.91 in	0.34 in	8.15 in	0.23 lb
85013D	Metric	13 mm	1.15 in	0.32 in	0.98 in	0.34 in	8.66 in	0.31 lb
85014	Metric	14 mm	1.23 in	0.33 in	1.04 in	0.37 in	9.25 in	0.36 lb
85015	Metric	15 mm	1.33 in	0.33 in	1.13 in	0.39 in	9.84 in	0.41 lb
85016	Metric	16 mm	1.36 in	0.35 in	1.2 in	0.41 in	10.24 in	0.50 lb
85017	Metric	17 mm	1.49 in	0.36 in	1.27 in	0.42 in	10.83 in	0.55 lb
85018	Metric	18 mm	1.58 in	0.37 in	1.31 in	0.44 in	11.42 in	0.65 lb
85019	Metric	19 mm	1.63 in	0.37 in	1.34 in	0.44 in	12.01 in	0.72 lb
85020	Metric	20 mm	1.77 in	0.4 in	1.54 in	0.51 in	12.51 in	0.99 lb
85021	Metric	21 mm	1.77 in	0.4 in	1.54 in	0.51 in	12.51 in	1.08 lb
85022	Metric	22 mm	1.87 in	0.42 in	1.54 in	0.51 in	13 in	1.14 lb
85024D	Metric	24 mm	2.01 in	0.44 in	1.75 in	0.57 in	14 in	1.24 lb

34 Pc. 12 Point SAE/Metric Standard/Stubby Combination Ratching Wrench Set

- 72 tooth ratcheting box end needs a minimal 5° to move fasteners vs. 30° for standard wrenches
- Off-corner loading design on box end provides better grip and reduces fastener rounding
- Thin head and beam provide greater access in confined work areas
- Manufactured from alloy steel for better strength and longer tool life
- Bright, full polish chrome finish easily wipes clean and resists corrosion
- Meets or exceeds ASME and ANSI specifications



Cat. No.	Included Storage	Product Weight
85034	None	8.705 lb

Cat. No.	Description	Cat. No.	Description
9010D	5/16" 12 Point Ratcheting Combination Wrench	-	5/16" 12 Point Stubby Ratcheting Combination Wrench
9012D	3/8" 12 Point Ratcheting Combination Wrench	9500DD	3/8" 12 Point Stubby Ratcheting Combination Wrench
9014	7/16" 12 Point Ratcheting Combination Wrench	9501DD	7/16" 12 Point Stubby Ratcheting Combination Wrench
9016D	1/2" 12 Point Ratcheting Combination Wrench	9502D	1/2" 12 Point Stubby Ratcheting Combination Wrench
9018D	9/16" 12 Point Ratcheting Combination Wrench	9503D	9/16" 12 Point Stubby Ratcheting Combination Wrench
9020	5/8" 12 Point Ratcheting Combination Wrench	9504D	5/8" 12 Point Stubby Ratcheting Combination Wrench
9022	11/16" 12 Point Ratcheting Combination Wrench	9505D	11/16" 12 Point Stubby Ratcheting Combination Wrench
9024	3/4" 12 Point Ratcheting Combination Wrench	9506D	3/4" 12 Point Stubby Ratcheting Combination Wrench
9110D	10mm 12 Point Ratcheting Combination Wrench	9510DD	10mm 12 Point Stubby Ratcheting Combination Wrench
9111	11mm 12 Point Ratcheting Combination Wrench	9511D	11mm 12 Point Stubby Ratcheting Combination Wrench
9112	12mm 12 Point Ratcheting Combination Wrench	9512D	12mm 12 Point Stubby Ratcheting Combination Wrench
9113D	13mm 12 Point Ratcheting Combination Wrench	9513D	13mm 12 Point Stubby Ratcheting Combination Wrench
9114D	14mm 12 Point Ratcheting Combination Wrench	9514D	14mm 12 Point Stubby Ratcheting Combination Wrench
9115D	15mm 12 Point Ratcheting Combination Wrench	9515D	15mm 12 Point Stubby Ratcheting Combination Wrench
9116D	16mm 12 Point Ratcheting Combination Wrench	9516D	16mm 12 Point Stubby Ratcheting Combination Wrench
9117D	17mm 12 Point Ratcheting Combination Wrench	9517D	17mm 12 Point Stubby Ratcheting Combination Wrench
9118D	18mm 12 Point Ratcheting Combination Wrench	9518D	18mm 12 Point Stubby Ratcheting Combination Wrench

10 Pc. 12 Point SAE/Metric Combination Ratcheting Wrench Set

- 72 tooth ratcheting box end needs a minimal 5° to move fasteners vs. 30° for standard wrenches
- Off-corner loading design on box end provides better grip and reduces fastener rounding
- Thin head and beam provide greater access in confined work areas
- Size conveniently stamped on both ends of the beam for quick identification
- Manufactured from alloy steel for better strength and longer tool life
- Bright, full polish chrome finish easily wipes clean and resists corrosion
- Meets or exceeds ASME and ANSI specifications



Cat. No.	Included Storage	Product Weight
9418	None	2.04 lb

Cat. No.	Description	Cat. No.	Description
9010D	5/16" 12 Point Ratcheting Combination Wrench	9108D	8mm 12 Point Ratcheting Combination Wrench
9012D	3/8" 12 Point Ratcheting Combination Wrench	9110D	10mm 12 Point Ratcheting Combination Wrench
9014	7/16" 12 Point Ratcheting Combination Wrench	9112	12mm 12 Point Ratcheting Combination Wrench
9016D	1/2" 12 Point Ratcheting Combination Wrench	9113D	13mm 12 Point Ratcheting Combination Wrench
9018D	9/16" 12 Point Ratcheting Combination Wrench	9114D	14mm 12 Point Ratcheting Combination Wrench

13 Pc. 12 Point SAE Combination Ratcheting Wrench Set

- 72 tooth ratcheting box end needs a minimal 5° to move fasteners vs. 30° for standard wrenches
- Off-corner loading design on box end provides better grip and reduces fastener rounding
- Thin head and beam provide greater access in confined work areas
- Size conveniently stamped on both ends of the beam for quick identification
- Manufactured from alloy steel for better strength and longer tool life
- Bright, full polish chrome finish easily wipes clean and resists corrosion
- Meets or exceeds ASME and ANSI specifications
- Included rack for storage and organization



Cat. No.	Included Storage	Product Weight
9312	Wrench Rack	5.96 lb

Cat. No.	Description	Cat. No.	Description
9008	1/4" 12 Point Ratcheting Combination Wrench	9022	11/16" 12 Point Ratcheting Combination Wrench
9010D	5/16" 12 Point Ratcheting Combination Wrench	9024	3/4" 12 Point Ratcheting Combination Wrench
9012D	3/8" 12 Point Ratcheting Combination Wrench	9026D	13/16" 12 Point Ratcheting Combination Wrench
9014	7/16" 12 Point Ratcheting Combination Wrench	9028D	7/8" 12 Point Ratcheting Combination Wrench
9016D	1/2" 12 Point Ratcheting Combination Wrench	9030	15/16" 12 Point Ratcheting Combination Wrench
9018D	9/16" 12 Point Ratcheting Combination Wrench	9032	1" 12 Point Ratcheting Combination Wrench
9020	5/8" 12 Point Ratcheting Combination Wrench		

8 Pc. 12 Point SAE Combination Ratcheting Wrench Set

- 72 tooth ratcheting box end needs a minimal 5° to move fasteners vs. 30° for standard wrenches
- Off-corner loading design on box end provides better grip and reduces fastener rounding
- Thin head and beam provide greater access in confined work areas
- Size conveniently stamped on both ends of the beam for quick identification
- Manufactured from alloy steel for better strength and longer tool life
- Bright, full polish chrome finish easily wipes clean and resists corrosion
- Meets or exceeds ASME and ANSI specifications
- Included tray for storage and organization



Cat. No.	Included Storage	Product Weight
9308D	Tray	2.70 lb

Cat. No.	Description	Cat. No.	Description
9010D	5/16" 12 Point Ratcheting Combination Wrench	9018D	9/16" 12 Point Ratcheting Combination Wrench
9012D	3/8" 12 Point Ratcheting Combination Wrench	9020	5/8" 12 Point Ratcheting Combination Wrench
9014	7/16" 12 Point Ratcheting Combination Wrench	9022	11/16" 12 Point Ratcheting Combination Wrench
9016D	1/2" 12 Point Ratcheting Combination Wrench	9024	3/4" 12 Point Ratcheting Combination Wrench

7 Pc. 12 Point SAE Combination Ratcheting Wrench Set

- 72 tooth ratcheting box end needs a minimal 5° to move fasteners vs. 30° for standard wrenches
- Off-corner loading design on box end provides better grip and reduces fastener rounding
- Thin head and beam provide greater access in confined work areas
- Size conveniently stamped on both ends of the beam for quick identification
- Manufactured from alloy steel for better strength and longer tool life
- Bright, full polish chrome finish easily wipes clean and resists corrosion
- Meets or exceeds ASME and ANSI specifications



Cat. No.	Included Storage	Product Weight
9317	None	2.02 lb

Cat. No.	Description	Cat. No.	Description
9010D	5/16" 12 Point Ratcheting Combination Wrench	9018D	9/16" 12 Point Ratcheting Combination Wrench
9012D	3/8" 12 Point Ratcheting Combination Wrench	9020	5/8" 12 Point Ratcheting Combination Wrench
9014	7/16" 12 Point Ratcheting Combination Wrench	9024	3/4" 12 Point Ratcheting Combination Wrench
9016D	1/2" 12 Point Ratcheting Combination Wrench		

5 Pc. 12 Point SAE Combination Ratcheting Wrench Set

- 72 tooth ratcheting box end needs a minimal 5° to move fasteners vs. 30° for standard wrenches
- Off-corner loading design on box end provides better grip and reduces fastener rounding
- Thin head and beam provide greater access in confined work areas
- Size conveniently stamped on both ends of the beam for quick identification
- Manufactured from alloy steel for better strength and longer tool life
- Bright, full polish chrome finish easily wipes clean and resists corrosion
- Meets or exceeds ASME and ANSI specifications



Cat. No.	Included Storage	Product Weight
93005	None	4.16 lb



Cat. No.	Description	Cat. No.	Description
9012D	3/8" 12 Point Ratcheting Combination Wrench	9018D	9/16" 12 Point Ratcheting Combination Wrench
9014	7/16" 12 Point Ratcheting Combination Wrench	9020	5/8" 12 Point Ratcheting Combination Wrench
9016D	1/2" 12 Point Ratcheting Combination Wrench		

4 Pc. 12 Point SAE Combination Ratcheting Wrench Set

- 72 tooth ratcheting box end needs a minimal 5° to move fasteners vs. 30° for standard wrenches
- Off-corner loading design on box end provides better grip and reduces fastener rounding
- Thin head and beam provide greater access in confined work areas
- Size conveniently stamped on both ends of the beam for quick identification
- Manufactured from alloy steel for better strength and longer tool life
- Bright, full polish chrome finish easily wipes clean and resists corrosion
- Meets or exceeds ASME and ANSI specifications
- Included tray for storage and organization



Cat. No.	Included Storage	Product Weight
9309D	Tray	4.79 lb



Cat. No.	Description	Cat. No.	Description
9026D	13/16" 12 Point Ratcheting Combination Wrench	9030	15/16" 12 Point Ratcheting Combination Wrench
9028D	7/8" 12 Point Ratcheting Combination Wrench	9032	1" 12 Point Ratcheting Combination Wrench

16 Pc. 12 Point Metric Combination Ratcheting Wrench Set

- 72 tooth ratcheting box end needs a minimal 5° to move fasteners vs. 30° for standard wrenches
- Off-corner loading design on box end provides better grip and reduces fastener rounding
- Thin head and beam provide greater access in confined work areas
- Size conveniently stamped on both ends of the beam for quick identification
- Manufactured from alloy steel for better strength and longer tool life
- Bright, full polish chrome finish easily wipes clean and resists corrosion
- Meets or exceeds ASME and ANSI specifications
- Included rack for storage and organization



Cat. No.	Included Storage	Product Weight
9416	Wrench Rack	6.67 lb



Cat. No.	Description	Cat. No.	Description
9108D	8mm 12 Point Ratcheting Combination Wrench	9116D	16mm 12 Point Ratcheting Combination Wrench
9109	9mm 12 Point Ratcheting Combination Wrench	9117D	17mm 12 Point Ratcheting Combination Wrench
9110D	10mm 12 Point Ratcheting Combination Wrench	9118D	18mm 12 Point Ratcheting Combination Wrench
9111	11mm 12 Point Ratcheting Combination Wrench	9119	19mm 12 Point Ratcheting Combination Wrench
9112	12mm 12 Point Ratcheting Combination Wrench	9120	20mm 12 Point Ratcheting Combination Wrench
9113D	13mm 12 Point Ratcheting Combination Wrench	9121	21mm 12 Point Ratcheting Combination Wrench
9114D	14mm 12 Point Ratcheting Combination Wrench	9122	22mm 12 Point Ratcheting Combination Wrench
9115D	15mm 12 Point Ratcheting Combination Wrench	9124	24mm 12 Point Ratcheting Combination Wrench

12 Pc. 12 Point Metric Combination Ratcheting Wrench Set

- 72 tooth ratcheting box end needs a minimal 5° to move fasteners vs. 30° for standard wrenches
- Off-corner loading design on box end provides better grip and reduces fastener rounding
- Thin head and beam provide greater access in confined work areas
- Size conveniently stamped on both ends of the beam for quick identification
- Manufactured from alloy steel for better strength and longer tool life
- Bright, full polish chrome finish easily wipes clean and resists corrosion
- Meets or exceeds ASME and ANSI specifications
- Included tray for storage and organization



Cat. No.	Included Storage	Product Weight
9412	Tray	3.56 lb



Cat. No.	Description	Cat. No.	Description
9108D	8mm 12 Point Ratcheting Combination Wrench	9114D	14mm 12 Point Ratcheting Combination Wrench
9109	9mm 12 Point Ratcheting Combination Wrench	9115D	15mm 12 Point Ratcheting Combination Wrench
9110D	10mm 12 Point Ratcheting Combination Wrench	9116D	16mm 12 Point Ratcheting Combination Wrench
9111	11mm 12 Point Ratcheting Combination Wrench	9117D	17mm 12 Point Ratcheting Combination Wrench
9112	12mm 12 Point Ratcheting Combination Wrench	9118D	18mm 12 Point Ratcheting Combination Wrench
9113D	13mm 12 Point Ratcheting Combination Wrench	9119	19mm 12 Point Ratcheting Combination Wrench

7 Pc. 12 Point Metric Combination Ratcheting Wrench Set

- 72 tooth ratcheting box end needs a minimal 5° to move fasteners vs. 30° for standard wrenches
- Off-corner loading design on box end provides better grip and reduces fastener rounding
- Thin head and beam provide greater access in confined work areas
- Size conveniently stamped on both ends of the beam for quick identification
- Manufactured from alloy steel for better strength and longer tool life
- Bright, full polish chrome finish easily wipes clean and resists corrosion
- Meets or exceeds ASME and ANSI specifications



Cat. No.	Included Storage	Product Weight
9417	None	2.15 lb



Cat. No.	Description	Cat. No.	Description
9108D	8mm 12 Point Ratcheting Combination Wrench	9114D	14mm 12 Point Ratcheting Combination Wrench
9110D	10mm 12 Point Ratcheting Combination Wrench	9115D	15mm 12 Point Ratcheting Combination Wrench
9112	12mm 12 Point Ratcheting Combination Wrench	9118D	18mm 12 Point Ratcheting Combination Wrench
9113D	13mm 12 Point Ratcheting Combination Wrench		

5 Pc. 12 Point Metric Combination Ratcheting Wrench Set

- 72 tooth ratcheting box end needs a minimal 5° to move fasteners vs. 30° for standard wrenches
- Off-corner loading design on box end provides better grip and reduces fastener rounding
- Thin head and beam provide greater access in confined work areas
- Size conveniently stamped on both ends of the beam for quick identification
- Manufactured from alloy steel for better strength and longer tool life
- Bright, full polish chrome finish easily wipes clean and resists corrosion
- Meets or exceeds ASME and ANSI specifications



Cat. No.	Included Storage	Product Weight
93004D	None	4.40 lb



Cat. No.	Description	Cat. No.	Description
9110D	10mm 12 Point Ratcheting Combination Wrench	9114D	14mm 12 Point Ratcheting Combination Wrench
9112	12mm 12 Point Ratcheting Combination Wrench	9115D	15mm 12 Point Ratcheting Combination Wrench
9113D	13mm 12 Point Ratcheting Combination Wrench		

4 Pc. 12 Point Metric Combination Ratcheting Wrench Set

- 72 tooth ratcheting box end needs a minimal 5° to move fasteners vs. 30° for standard wrenches
- Off-corner loading design on box end provides better grip and reduces fastener rounding
- Thin head and beam provide greater access in confined work areas
- Size conveniently stamped on both ends of the beam for quick identification
- Manufactured from alloy steel for better strength and longer tool life
- Bright, full polish chrome finish easily wipes clean and resists corrosion
- Meets or exceeds ASME and ANSI specifications
- Included tray for storage and organization



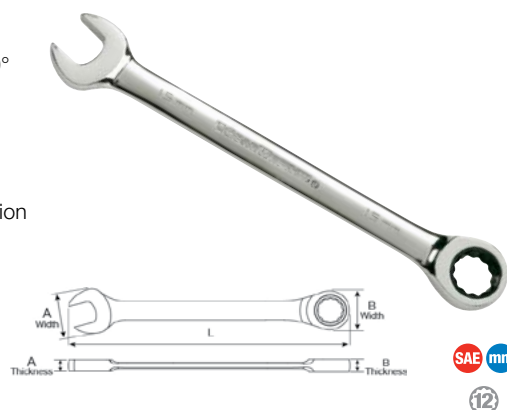
Cat. No.	Included Storage	Product Weight
9413	Tray	4.67 lb



Cat. No.	Description	Cat. No.	Description
9121	21mm 12 Point Ratcheting Combination Wrench	9124	24mm 12 Point Ratcheting Combination Wrench
9122	22mm 12 Point Ratcheting Combination Wrench	9125D	25mm 12 Point Ratcheting Combination Wrench

12 Point Combination Ratcheting Wrenches

- 72 tooth ratcheting box end needs a minimal 5° to move fasteners vs. 30° for standard wrenches
- Off-corner loading design on box end provides better grip and reduces fastener rounding
- Thin head and beam provide greater access in confined work areas
- Size conveniently stamped on both ends of the beam for quick identification
- Manufactured from alloy steel for better strength and longer tool life
- Bright, full polish chrome finish easily wipes clean and resists corrosion
- Meets or exceeds ASME and ANSI specifications



Cat. No.	SAE/Metric	Fastener Size	End A Width	End A Thickness	End B Width	End B Thickness	Overall Length	Product Weight
9008	SAE	1/4 in	0.567 in	0.181 in	0.61 in	0.256 in	4.921 in	0.10 lb
9010D	SAE	5/16 in	0.768 in	0.197 in	0.665 in	0.272 in	5.508 in	0.12 lb
9011D	SAE	11/32 in	0.768 in	0.213 in	0.701 in	0.272 in	5.882 in	0.12 lb
9012D	SAE	3/8 in	0.862 in	0.224 in	0.78 in	0.303 in	6.256 in	0.14 lb
9014	SAE	7/16 in	0.953 in	0.252 in	0.854 in	0.323 in	6.508 in	0.17 lb
9016D	SAE	1/2 in	1.146 in	0.319 in	0.984 in	0.339 in	7.008 in	0.22 lb
9018D	SAE	9/16 in	1.228 in	0.327 in	1.035 in	0.37 in	7.504 in	0.23 lb
9020	SAE	5/8 in	1.358 in	0.346 in	1.201 in	0.406 in	8.201 in	0.33 lb
9022	SAE	11/16 in	1.492 in	0.362 in	1.272 in	0.421 in	8.878 in	0.38 lb
9024	SAE	3/4 in	1.626 in	0.374 in	1.339 in	0.441 in	9.764 in	0.47 lb
9026D	SAE	13/16 in	1.811 in	0.39 in	1.535 in	0.512 in	11.476 in	0.86 lb
9028D	SAE	7/8 in	1.811 in	0.39 in	1.535 in	0.512 in	11.476 in	0.80 lb
9030	SAE	15/16 in	2.055 in	0.429 in	1.791 in	0.571 in	13.114 in	1.17 lb
9032	SAE	1 in	2.055 in	0.429 in	1.791 in	0.571 in	13.114 in	1.15 lb
9034	SAE	1-1/16 in	2.22 in	0.571 in	1.929 in	0.61 in	14.142 in	1.32 lb
9036	SAE	1-1/8 in	2.469 in	0.492 in	2.154 in	0.669 in	15.846 in	1.97 lb
9038D	SAE	1-1/4 in	2.634 in	0.508 in	2.283 in	0.689 in	16.764 in	2.18 lb
9060D	SAE	1-5/16 in	2.744 in	0.539 in	2.362 in	0.689 in	18.11 in	2.64 lb
9062D	SAE	1-3/8 in	2.744 in	0.539 in	2.362 in	0.689 in	18.11 in	2.64 lb
9040	SAE	1-7/16 in	3.114 in	0.646 in	2.52 in	0.807 in	19.685 in	3.86 lb
9042	SAE	1-1/2 in	3.114 in	0.646 in	2.52 in	0.807 in	19.685 in	3.82 lb
9044	SAE	1-9/16 in	3.409 in	0.709 in	2.677 in	0.866 in	22.638 in	5.18 lb
9046D	SAE	1-5/8 in	3.409 in	0.709 in	2.677 in	0.866 in	22.638 in	5.14 lb
9048	SAE	1-11/16 in	3.626 in	0.791 in	2.835 in	0.925 in	24.213 in	5.69 lb
9050D	SAE	1-3/4 in	3.626 in	0.791 in	2.835 in	0.925 in	24.213 in	5.64 lb
9052D	SAE	1-13/16 in	3.85 in	0.835 in	2.992 in	0.984 in	25.394 in	7.65 lb
9054D	SAE	1-7/8 in	3.85 in	0.835 in	2.992 in	0.984 in	25.394 in	7.59 lb
9056D	SAE	2 in	4.134 in	0.835 in	3.15 in	1.043 in	25.787 in	8.34 lb
9106	Metric	6 mm	0.567 in	0.181 in	0.61 in	0.256 in	4.921 in	0.09 lb
9107	Metric	7 mm	0.642 in	0.189 in	0.622 in	0.256 in	5.236 in	0.07 lb
9108D	Metric	8 mm	0.768 in	0.197 in	0.665 in	0.272 in	5.508 in	0.10 lb
9109	Metric	9 mm	0.768 in	0.213 in	0.701 in	0.272 in	5.882 in	0.11 lb
9110D	Metric	10 mm	0.862 in	0.224 in	0.78 in	0.303 in	6.256 in	0.15 lb
9111	Metric	11 mm	0.953 in	0.252 in	0.854 in	0.323 in	6.508 in	0.15 lb

Cat. No.	SAE/Metric	Fastener Size	End A Width	End A Thickness	End B Width	End B Thickness	Overall Length	Product Weight
9112	Metric	12 mm	1.047 in	0.291 in	0.906 in	0.339 in	6.756 in	0.20 lb
9113D	Metric	13 mm	1.146 in	0.319 in	0.984 in	0.339 in	7.008 in	0.23 lb
9114D	Metric	14 mm	1.228 in	0.327 in	1.035 in	0.37 in	7.504 in	0.27 lb
9115D	Metric	15 mm	1.327 in	0.327 in	1.13 in	0.39 in	7.854 in	0.25 lb
9116D	Metric	16 mm	1.358 in	0.346 in	1.201 in	0.406 in	8.201 in	0.33 lb
9117D	Metric	17 mm	1.492 in	0.362 in	1.272 in	0.421 in	8.878 in	0.38 lb
9118D	Metric	18 mm	1.583 in	0.37 in	1.307 in	0.441 in	9.311 in	0.46 lb
9119	Metric	19 mm	1.626 in	0.374 in	1.339 in	0.441 in	9.764 in	0.47 lb
9120	Metric	20 mm	1.811 in	0.39 in	1.535 in	0.512 in	11.476 in	0.78 lb
9121	Metric	21 mm	1.811 in	0.39 in	1.535 in	0.512 in	11.476 in	0.81 lb
9122	Metric	22 mm	1.811 in	0.39 in	1.535 in	0.512 in	11.476 in	0.80 lb
9124	Metric	24 mm	2.055 in	0.429 in	1.791 in	0.571 in	13.114 in	1.15 lb
9125D	Metric	25 mm	2.055 in	0.429 in	1.791 in	0.571 in	13.114 in	1.16 lb
9127D	Metric	27 mm	2.22 in	0.571 in	1.929 in	0.61 in	14.142 in	1.32 lb
9130D	Metric	30 mm	2.469 in	0.492 in	2.154 in	0.669 in	15.846 in	1.75 lb
9132	Metric	32 mm	2.634 in	0.508 in	2.283 in	0.689 in	16.764 in	2.21 lb
9134D	Metric	34 mm	2.744 in	0.539 in	2.362 in	0.689 in	18.11 in	2.61 lb
9136	Metric	36 mm	3.114 in	0.646 in	2.52 in	0.807 in	19.685 in	4.45 lb
9141D	Metric	41 mm	3.409 in	0.709 in	2.677 in	0.866 in	22.638 in	5.73 lb
9146D	Metric	46 mm	3.85 in	0.835 in	2.992 in	0.984 in	25.394 in	7.92 lb
9150	Metric	50 mm	4.134 in	0.835 in	3.15 in	1.043 in	25.787 in	8.78 lb

14 Pc. 12 Point SAE/Metric Stubby Combination Ratcheting Wrench Set

- 72 tooth ratcheting box end needs a minimal 5° to move fasteners vs. 30° for standard wrenches
- Off-corner loading design on box end provides better grip and reduces fastener rounding
- Thin head and beam provide greater access in confined work areas
- Manufactured from alloy steel for better strength and longer tool life
- Bright, full polish chrome finish easily wipes clean and resists corrosion
- Stubby beam length for when clearance is limited
- Meets or exceeds ASME and ANSI specifications
- Included tray for storage and organization



Cat. No.	Included Storage	Product Weight
85206	Tray	3.740 lb

Cat. No.	Description	Cat. No.	Description
9500DD	3/8" 12 Point Stubby Ratcheting Combination Wrench	9510DD	10mm 12 Point Stubby Ratcheting Combination Wrench
9501DD	7/16" 12 Point Stubby Ratcheting Combination Wrench	9511D	11mm 12 Point Stubby Ratcheting Combination Wrench
9502D	1/2" 12 Point Stubby Ratcheting Combination Wrench	9512D	12mm 12 Point Stubby Ratcheting Combination Wrench
9503D	9/16" 12 Point Stubby Ratcheting Combination Wrench	9513D	13mm 12 Point Stubby Ratcheting Combination Wrench
9504D	5/8" 12 Point Stubby Ratcheting Combination Wrench	9514D	14mm 12 Point Stubby Ratcheting Combination Wrench
9505D	11/16" 12 Point Stubby Ratcheting Combination Wrench	9515D	15mm 12 Point Stubby Ratcheting Combination Wrench
9506D	3/4" 12 Point Stubby Ratcheting Combination Wrench	9518D	18mm 12 Point Stubby Ratcheting Combination Wrench

7 Pc. 12 Point SAE Stubby Combination Ratcheting Wrench Set

- 72 tooth ratcheting box end needs a minimal 5° to move fasteners vs. 30° for standard wrenches
- Off-corner loading design on box end provides better grip and reduces fastener rounding
- Thin head and beam provide greater access in confined work areas
- Manufactured from alloy steel for better strength and longer tool life
- Bright, full polish chrome finish easily wipes clean and resists corrosion
- Stubby beam length for when clearance is limited
- Meets or exceeds ASME and ANSI specifications
- Included tray for storage and organization



Cat. No.	Included Storage	Product Weight
9507D	Tray	1.82 lb

Cat. No.	Description	Cat. No.	Description
9500DD	3/8" 12 Point Stubby Ratcheting Combination Wrench	9504D	5/8" 12 Point Stubby Ratcheting Combination Wrench
9501DD	7/16" 12 Point Stubby Ratcheting Combination Wrench	9505D	11/16" 12 Point Stubby Ratcheting Combination Wrench
9502D	1/2" 12 Point Stubby Ratcheting Combination Wrench	9506D	3/4" 12 Point Stubby Ratcheting Combination Wrench
9503D	9/16" 12 Point Stubby Ratcheting Combination Wrench		

10 Pc. 12 Point Metric Stubby Combination Ratcheting Wrench Set

- 72 tooth ratcheting box end needs a minimal 5° to move fasteners vs. 30° for standard wrenches
- Off-corner loading design on box end provides better grip and reduces fastener rounding
- Thin head and beam provide greater access in confined work areas
- Manufactured from alloy steel for better strength and longer tool life
- Bright, full polish chrome finish easily wipes clean and resists corrosion
- Stubby beam length for when clearance is limited
- Meets or exceeds ASME and ANSI specifications
- Included tray for storage and organization



Cat. No.	Included Storage	Product Weight
9520D	Tray	2.30 lb

Cat. No.	Description	Cat. No.	Description
9510DD	10mm 12 Point Stubby Ratcheting Combination Wrench	9515D	15mm 12 Point Stubby Ratcheting Combination Wrench
9511D	11mm 12 Point Stubby Ratcheting Combination Wrench	9516D	16mm 12 Point Stubby Ratcheting Combination Wrench
9512D	12mm 12 Point Stubby Ratcheting Combination Wrench	9517D	17mm 12 Point Stubby Ratcheting Combination Wrench
9513D	13mm 12 Point Stubby Ratcheting Combination Wrench	9518D	18mm 12 Point Stubby Ratcheting Combination Wrench
9514D	14mm 12 Point Stubby Ratcheting Combination Wrench	9519D	19mm 12 Point Stubby Ratcheting Combination Wrench

12 Point Stubby Combination Ratcheting Wrenches

- 72 tooth ratcheting box end needs a minimal 5° to move fasteners vs. 30° for standard wrenches
- Off-corner loading design on box end provides better grip and reduces fastener rounding
- Thin head and beam provide greater access in confined work areas
- Manufactured from alloy steel for better strength and longer tool life
- Bright, full polish chrome finish easily wipes clean and resists corrosion
- Stubby beam length for when clearance is limited
- Meets or exceeds ASME and ANSI specifications



Cat. No.	SAE/Metric	Fastener Size	End A Width	End A Thickness	End B Width	End B Thickness	Overall Length	Product Weight
9500DD	SAE	3/8 in	0.862 in	0.224 in	0.78 in	0.303 in	3.701 in	0.08 lb
9501DD	SAE	7/16 in	0.953 in	0.252 in	0.854 in	0.323 in	4.016 in	0.15 lb
9502D	SAE	1/2 in	1.146 in	0.319 in	0.984 in	0.339 in	4.213 in	0.18 lb
9503D	SAE	9/16 in	1.228 in	0.327 in	1.035 in	0.37 in	4.488 in	0.20 lb
9504D	SAE	5/8 in	1.358 in	0.346 in	1.201 in	0.406 in	4.803 in	0.22 lb
9505D	SAE	11/16 in	1.492 in	0.362 in	1.272 in	0.421 in	4.961 in	0.24 lb
9506D	SAE	3/4 in	1.626 in	0.374 in	1.339 in	0.441 in	5.433 in	0.31 lb
9510DD	Metric	10 mm	0.862 in	0.224 in	0.78 in	0.303 in	3.701 in	0.08 lb
9511D	Metric	11 mm	0.953 in	0.252 in	0.854 in	0.323 in	4.016 in	0.10 lb
9512D	Metric	12 mm	1.047 in	0.291 in	0.906 in	0.339 in	4.134 in	0.12 lb
9513D	Metric	13 mm	1.146 in	0.319 in	0.984 in	0.339 in	4.213 in	0.13 lb
9514D	Metric	14 mm	1.228 in	0.327 in	1.035 in	0.37 in	4.488 in	0.16 lb
9515D	Metric	15 mm	1.327 in	0.327 in	1.13 in	0.39 in	4.646 in	0.2 lb
9516D	Metric	16 mm	1.358 in	0.346 in	1.201 in	0.406 in	4.803 in	0.21 lb
9517D	Metric	17 mm	1.492 in	0.362 in	1.272 in	0.421 in	4.961 in	0.25 lb
9518D	Metric	18 mm	1.583 in	0.37 in	1.307 in	0.441 in	5.118 in	0.29 lb
9519D	Metric	19 mm	1.626 in	0.374 in	1.339 in	0.441 in	5.433 in	0.32 lb

9 Pc. 12 Point SAE XL X-Beam™ Combination Ratcheting Wrench Set

- 72 tooth ratcheting box end needs a minimal 5° to move fasteners vs. 30° for standard wrenches
- X-Beam™ design lets you apply force to the flat side of the wrench, reducing hand fatigue
- Longer beam provides greater access to confined work areas vs. standard length wrenches
- Off-corner loading design on box end provides better grip and reduces fastener rounding
- One piece forged beam design with no weak spots for twisting
- Manufactured from alloy steel for better strength and longer tool life
- Bright, full polish chrome finish easily wipes clean and resists corrosion
- Included tray for storage and organization



Cat. No.	Included Storage	Product Weight
85898	Tray	2.95 lb



Cat. No.	Description	Cat. No.	Description
85850	5/16" 12 Point XL X-Beam™ Ratcheting Combination Wrench	85858	9/16" 12 Point XL X-Beam™ Ratcheting Combination Wrench
85851	11/32" 12 Point XL X-Beam™ Ratcheting Combination Wrench	85860	5/8" 12 Point XL X-Beam™ Ratcheting Combination Wrench
85852	3/8" 12 Point XL X-Beam™ Ratcheting Combination Wrench	85862	11/16" 12 Point XL X-Beam™ Ratcheting Combination Wrench
85854	7/16" 12 Point XL X-Beam™ Ratcheting Combination Wrench	85864	3/4" 12 Point XL X-Beam™ Ratcheting Combination Wrench
85856	1/2" 12 Point XL X-Beam™ Ratcheting Combination Wrench		

12 Pc. 12 Point Metric XL X-Beam™ Combination Ratcheting Wrench Set

- 72 tooth ratcheting box end needs a minimal 5° to move fasteners vs. 30° for standard wrenches
- X-Beam™ design lets you apply force to the flat side of the wrench, reducing hand fatigue
- Longer beam provides greater access to confined work areas vs. standard length wrenches
- Off-corner loading design on box end provides better grip and reduces fastener rounding
- One piece forged beam design with no weak spots for twisting
- Manufactured from alloy steel for better strength and longer tool life
- Bright, full polish chrome finish easily wipes clean and resists corrosion
- Included tray for storage and organization



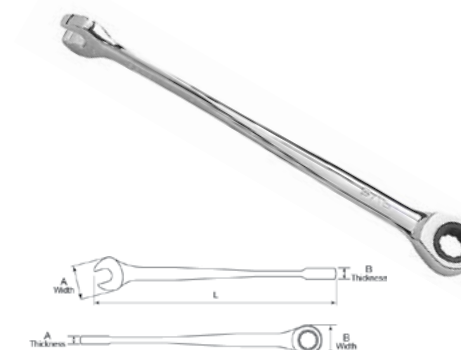
Cat. No.	Included Storage	Product Weight
85888	Tray	4.12 lb



Cat. No.	Description	Cat. No.	Description
85808	8mm 12 Point XL X-Beam™ Ratcheting Combination Wrench	85814	14mm 12 Point XL X-Beam™ Ratcheting Combination Wrench
85809	9mm 12 Point XL X-Beam™ Ratcheting Combination Wrench	85815	15mm 12 Point XL X-Beam™ Ratcheting Combination Wrench
85810	10mm 12 Point XL X-Beam™ Ratcheting Combination Wrench	85816	16mm 12 Point XL X-Beam™ Ratcheting Combination Wrench
85811	11mm 12 Point XL X-Beam™ Ratcheting Combination Wrench	85817	17mm 12 Point XL X-Beam™ Ratcheting Combination Wrench
85812	12mm 12 Point XL X-Beam™ Ratcheting Combination Wrench	85818	18mm 12 Point XL X-Beam™ Ratcheting Combination Wrench
85813	13mm 12 Point XL X-Beam™ Ratcheting Combination Wrench	85819	19mm 12 Point XL X-Beam™ Ratcheting Combination Wrench

12 Point XL X-Beam™ Combination Ratcheting Wrenches

- 72 tooth ratcheting box end needs a minimal 5° to move fasteners vs. 30° for standard wrenches
- X-Beam™ design lets you apply force to the flat side of the wrench, reducing hand fatigue
- Longer beam provides greater access to confined work areas vs. standard length wrenches
- Off-corner loading design on box end provides better grip and reduces fastener rounding
- One piece forged beam design with no weak spots for twisting
- Manufactured from alloy steel for better strength and longer tool life
- Bright, full polish chrome finish easily wipes clean and resists corrosion



Cat. No.	SAE/Metric	Fastener Size	End A Width	End A Thickness	End B Width	End B Thickness	Overall Length	Product Weight
85850	SAE	5/16 in	0.77 in	0.20 in	0.67 in	0.27 in	5.91 in	0.09 lb
85851	SAE	11/32 in	0.77 in	0.21 in	0.7 in	0.27 in	6.5 in	0.11 lb
85852	SAE	3/8 in	0.86 in	0.22 in	0.78 in	0.3 in	7.09 in	0.13 lb
85854	SAE	7/16 in	0.95 in	0.25 in	0.85 in	0.32 in	7.68 in	0.17 lb
85856	SAE	1/2 in	1.15 in	0.32 in	0.98 in	0.34 in	8.66 in	0.25 lb
85858	SAE	9/16 in	1.23 in	0.33 in	1.04 in	0.37 in	9.25 in	0.29 lb
85860	SAE	5/8 in	1.36 in	0.35 in	1.2 in	0.41 in	10.24 in	0.41 lb
85862	SAE	11/16 in	1.49 in	0.36 in	1.27 in	0.42 in	10.83 in	0.53 lb
85864	SAE	3/4 in	1.63 in	0.37 in	1.34 in	0.44 in	12.01 in	0.65 lb
85808	Metric	8 mm	0.77 in	0.20 in	0.67 in	0.27 in	5.91 in	0.09 lb
85809	Metric	9 mm	0.77 in	0.21 in	0.7 in	0.27 in	6.5 in	0.11 lb
85810	Metric	10 mm	0.86 in	0.22 in	0.78 in	0.3 in	7.09 in	0.13 lb
85811	Metric	11 mm	0.95 in	0.25 in	0.85 in	0.32 in	7.68 in	0.13 lb
85812	Metric	12 mm	1.05 in	0.29 in	0.91 in	0.34 in	8.15 in	0.15 lb
85813	Metric	13 mm	1.15 in	0.32 in	0.98 in	0.34 in	8.66 in	0.17 lb
85814	Metric	14 mm	1.23 in	0.33 in	1.04 in	0.37 in	9.25 in	0.21 lb
85815	Metric	15 mm	1.33 in	0.33 in	1.13 in	0.39 in	9.84 in	0.25 lb
85816	Metric	16 mm	1.36 in	0.35 in	1.2 in	0.41 in	10.24 in	0.29 lb
85817	Metric	17 mm	1.49 in	0.36 in	1.27 in	0.42 in	10.83 in	0.33 lb
85818	Metric	18 mm	1.58 in	0.37 in	1.31 in	0.44 in	11.42 in	0.41 lb
85819	Metric	19 mm	1.63 in	0.37 in	1.34 in	0.44 in	12.01 in	0.46 lb

14 Pc. 12 Point SAE/Metric Reversible Combination Ratcheting Wrench Set

- 72 tooth ratcheting box end needs a minimal 5° to move fasteners vs. 30° for standard wrenches
- Flush mounted reversing lever allows you to change direction without removing the wrench
- Off-corner loading design on box end provides better grip and reduces fastener rounding
- 15° offset offers increased clearance
- Meets or exceeds ASME and ANSI specifications
- Bright, full polish chrome finish easily wipes clean and resists corrosion
- Included tray for storage and organization



Cat. No.	Included Storage	Product Weight
85142	Tray	5.500 lb

Cat. No.	Description	Cat. No.	Description
9526ND	3/8" 12 Point Reversible Ratcheting Combination Wrench	9610N	10mm 12 Point Reversible Ratcheting Combination Wrench
9527N	7/16" 12 Point Reversible Ratcheting Combination Wrench	9612N	12mm 12 Point Reversible Ratcheting Combination Wrench
9528N	1/2" 12 Point Reversible Ratcheting Combination Wrench	9613N	13mm 12 Point Reversible Ratcheting Combination Wrench
9529N	9/16" 12 Point Reversible Ratcheting Combination Wrench	9614N	14mm 12 Point Reversible Ratcheting Combination Wrench
9530ND	5/8" 12 Point Reversible Ratcheting Combination Wrench	9615N	15mm 12 Point Reversible Ratcheting Combination Wrench
9531ND	11/16" 12 Point Reversible Ratcheting Combination Wrench	9617N	17mm 12 Point Reversible Ratcheting Combination Wrench
9532N	3/4" 12 Point Reversible Ratcheting Combination Wrench	9619N	19mm 12 Point Reversible Ratcheting Combination Wrench

13 Pc. 12 Point SAE Reversible Combination Ratcheting Wrench Set with Roll

- 72 tooth ratcheting box end needs a minimal 5° to move fasteners vs. 30° for standard wrenches
- Flush mounted reversing lever allows you to change direction without removing the wrench
- Off-corner loading design on box end provides better grip and reduces fastener rounding
- 15° offset offers increased clearance
- Thin head and beam provide greater access in confined work areas
- Size conveniently stamped on the head and beam for quick identification
- Manufactured from alloy steel for better strength and longer tool life
- Bright, full polish chrome finish easily wipes clean and resists corrosion
- Meets or exceeds ASME and ANSI specifications
- Included tool roll for storage and organization



Cat. No.	Included Storage	Product Weight
9509RN	Tool Roll	6.680 lb

Cat. No.	Description	Cat. No.	Description
9525ND	5/16" 12 Point Reversible Ratcheting Combination Wrench	9531ND	11/16" 12 Point Reversible Ratcheting Combination Wrench
9521ND	11/32" 12 Point Reversible Ratcheting Combination Wrench	9532N	3/4" 12 Point Reversible Ratcheting Combination Wrench
9526ND	3/8" 12 Point Reversible Ratcheting Combination Wrench	9534N	13/16" 12 Point Reversible Ratcheting Combination Wrench
9527N	7/16" 12 Point Reversible Ratcheting Combination Wrench	9538N	7/8" 12 Point Reversible Ratcheting Combination Wrench
9528N	1/2" 12 Point Reversible Ratcheting Combination Wrench	9539N	15/16" 12 Point Reversible Ratcheting Combination Wrench
9529N	9/16" 12 Point Reversible Ratcheting Combination Wrench	9540N	1" 12 Point Reversible Ratcheting Combination Wrench
9530ND	5/8" 12 Point Reversible Ratcheting Combination Wrench		

13 Pc. 12 Point SAE Reversible Combination Ratcheting Wrench Set

- 72 tooth ratcheting box end needs a minimal 5° to move fasteners vs. 30° for standard wrenches
- Flush mounted reversing lever allows you to change direction without removing the wrench
- Off-corner loading design on box end provides better grip and reduces fastener rounding
- 15° offset offers increased clearance
- Thin head and beam provide greater access in confined work areas
- Size conveniently stamped on the head and beam for quick identification
- Manufactured from alloy steel for better strength and longer tool life
- Bright, full polish chrome finish easily wipes clean and resists corrosion
- Meets or exceeds ASME and ANSI specifications
- Included rack for storage and organization



Cat. No.	Included Storage	Product Weight
9509N	Wrench Rack	6.65 lb



Cat. No.	Description	Cat. No.	Description
9525ND	5/16" 12 Point Reversible Ratcheting Combination Wrench	9531ND	11/16" 12 Point Reversible Ratcheting Combination Wrench
9521ND	11/32" 12 Point Reversible Ratcheting Combination Wrench	9532N	3/4" 12 Point Reversible Ratcheting Combination Wrench
9526ND	3/8" 12 Point Reversible Ratcheting Combination Wrench	9534N	13/16" 12 Point Reversible Ratcheting Combination Wrench
9527N	7/16" 12 Point Reversible Ratcheting Combination Wrench	9538N	7/8" 12 Point Reversible Ratcheting Combination Wrench
9528N	1/2" 12 Point Reversible Ratcheting Combination Wrench	9539N	15/16" 12 Point Reversible Ratcheting Combination Wrench
9529N	9/16" 12 Point Reversible Ratcheting Combination Wrench	9540N	1" 12 Point Reversible Ratcheting Combination Wrench
9530ND	5/8" 12 Point Reversible Ratcheting Combination Wrench		

10 Pc. 12 Point SAE Reversible Combination Ratcheting Wrench Set with Roll

- 72 tooth ratcheting box end needs a minimal 5° to move fasteners vs. 30° for standard wrenches
- Flush mounted reversing lever allows you to change direction without removing the wrench
- Off-corner loading design on box end provides better grip and reduces fastener rounding
- 15° offset offers increased clearance
- Thin head and beam provide greater access in confined work areas
- Size conveniently stamped on the head and beam for quick identification
- Manufactured from alloy steel for better strength and longer tool life
- Bright, full polish chrome finish easily wipes clean and resists corrosion
- Meets or exceeds ASME and ANSI specifications
- Included tool roll for storage and organization



Cat. No.	Included Storage	Product Weight
85891	Tool Roll	4.630 lb



Cat. No.	Description	Cat. No.	Description
9525ND	5/16" 12 Point Reversible Ratcheting Combination Wrench	9530ND	5/8" 12 Point Reversible Ratcheting Combination Wrench
9526ND	3/8" 12 Point Reversible Ratcheting Combination Wrench	9531ND	11/16" 12 Point Reversible Ratcheting Combination Wrench
9527N	7/16" 12 Point Reversible Ratcheting Combination Wrench	9532N	3/4" 12 Point Reversible Ratcheting Combination Wrench
9528N	1/2" 12 Point Reversible Ratcheting Combination Wrench	9534N	13/16" 12 Point Reversible Ratcheting Combination Wrench
9529N	9/16" 12 Point Reversible Ratcheting Combination Wrench	9538N	7/8" 12 Point Reversible Ratcheting Combination Wrench

8 Pc. 12 Point SAE Reversible Combination Ratcheting Wrench Set

- 72 tooth ratcheting box end needs a minimal 5° to move fasteners vs. 30° for standard wrenches
- Flush mounted reversing lever allows you to change direction without removing the wrench
- Off-corner loading design on box end provides better grip and reduces fastener rounding
- 15° offset offers increased clearance
- Thin head and beam provide greater access in confined work areas
- Size conveniently stamped on the head and beam for quick identification
- Manufactured from alloy steel for better strength and longer tool life
- Bright, full polish chrome finish easily wipes clean and resists rust and corrosion
- Meets or exceeds ASME and ANSI specifications
- Included rack for storage and organization



Cat. No.	Included Storage	Product Weight
9533N	Wrench Rack	2.71 lb

Cat. No.	Description	Cat. No.	Description
9525ND	5/16" 12 Point Reversible Ratcheting Combination Wrench	9529N	9/16" 12 Point Reversible Ratcheting Combination Wrench
9526ND	3/8" 12 Point Reversible Ratcheting Combination Wrench	9530ND	5/8" 12 Point Reversible Ratcheting Combination Wrench
9527N	7/16" 12 Point Reversible Ratcheting Combination Wrench	9531ND	11/16" 12 Point Reversible Ratcheting Combination Wrench
9528N	1/2" 12 Point Reversible Ratcheting Combination Wrench	9532N	3/4" 12 Point Reversible Ratcheting Combination Wrench

7 Pc. 12 Point SAE Reversible Combination Ratcheting Wrench Set with Roll

- 72 tooth ratcheting box end needs a minimal 5° to move fasteners vs. 30° for standard wrenches
- Flush mounted reversing lever allows you to change direction without removing the wrench
- Off-corner loading design on box end provides better grip and reduces fastener rounding
- 15° offset offers increased clearance
- Thin head and beam provide greater access in confined work areas
- Size conveniently stamped on the head and beam for quick identification
- Manufactured from alloy steel for better strength and longer tool life
- Bright, full polish chrome finish easily wipes clean and resists corrosion
- Meets or exceeds ASME and ANSI specifications
- Included tool roll for storage and organization



Cat. No.	Included Storage	Product Weight
9567RN	Tool Roll	2.30 lb

Cat. No.	Description	Cat. No.	Description
9526ND	3/8" 12 Point Reversible Ratcheting Combination Wrench	9530ND	5/8" 12 Point Reversible Ratcheting Combination Wrench
9527N	7/16" 12 Point Reversible Ratcheting Combination Wrench	9531ND	11/16" 12 Point Reversible Ratcheting Combination Wrench
9528N	1/2" 12 Point Reversible Ratcheting Combination Wrench	9532N	3/4" 12 Point Reversible Ratcheting Combination Wrench
9529N	9/16" 12 Point Reversible Ratcheting Combination Wrench		

16 Pc. 12 Point Metric Reversible Combination Ratcheting Wrench Set with Roll

- 72 tooth ratcheting box end needs a minimal 5° to move fasteners vs. 30° for standard wrenches
- Flush mounted reversing lever allows you to change direction without removing the wrench
- Off-corner loading design on box end provides better grip and reduces fastener rounding
- 15° offset offers increased clearance
- Thin head and beam provide greater access in confined work areas
- Size conveniently stamped on the head and beam for quick identification
- Manufactured from alloy steel for better strength and longer tool life
- Bright, full polish chrome finish easily wipes clean and resists corrosion
- Meets or exceeds ASME and ANSI specifications
- Included tool roll for storage and organization



Cat. No.	Included Storage	Product Weight
9602RN	Tool Roll	7.85 lb

Cat. No.	Description	Cat. No.	Description
9608N	8mm 12 Point Reversible Ratcheting Combination Wrench	9616N	16mm 12 Point Reversible Ratcheting Combination Wrench
9609N	9mm 12 Point Reversible Ratcheting Combination Wrench	9617N	17mm 12 Point Reversible Ratcheting Combination Wrench
9610N	10mm 12 Point Reversible Ratcheting Combination Wrench	9618N	18mm 12 Point Reversible Ratcheting Combination Wrench
9611N	11mm 12 Point Reversible Ratcheting Combination Wrench	9619N	19mm 12 Point Reversible Ratcheting Combination Wrench
9612N	12mm 12 Point Reversible Ratcheting Combination Wrench	9621N	21mm 12 Point Reversible Ratcheting Combination Wrench
9613N	13mm 12 Point Reversible Ratcheting Combination Wrench	9622N	22mm 12 Point Reversible Ratcheting Combination Wrench
9614N	14mm 12 Point Reversible Ratcheting Combination Wrench	9624N	24mm 12 Point Reversible Ratcheting Combination Wrench
9615N	15mm 12 Point Reversible Ratcheting Combination Wrench	9625N	25mm 12 Point Reversible Ratcheting Combination Wrench

16 Pc. 12 Point Metric Reversible Combination Ratcheting Wrench Set

- 72 tooth ratcheting box end needs a minimal 5° to move fasteners vs. 30° for standard wrenches
- Flush mounted reversing lever allows you to change direction without removing the wrench
- Off-corner loading design on box end provides better grip and reduces fastener rounding
- 15° offset offers increased clearance
- Thin head and beam provide greater access in confined work areas
- Size conveniently stamped on the head and beam for quick identification
- Manufactured from alloy steel for better strength and longer tool life
- Bright, full polish chrome finish easily wipes clean and resists corrosion
- Meets or exceeds ASME and ANSI specifications
- Included rack for storage and organization



Cat. No.	Included Storage	Product Weight
9602N	Wrench Rack	7.54 lb



Cat. No.	Description	Cat. No.	Description
9608N	8mm 12 Point Reversible Ratcheting Combination Wrench	9616N	16mm 12 Point Reversible Ratcheting Combination Wrench
9609N	9mm 12 Point Reversible Ratcheting Combination Wrench	9617N	17mm 12 Point Reversible Ratcheting Combination Wrench
9610N	10mm 12 Point Reversible Ratcheting Combination Wrench	9618N	18mm 12 Point Reversible Ratcheting Combination Wrench
9611N	11mm 12 Point Reversible Ratcheting Combination Wrench	9619N	19mm 12 Point Reversible Ratcheting Combination Wrench
9612N	12mm 12 Point Reversible Ratcheting Combination Wrench	9621N	21mm 12 Point Reversible Ratcheting Combination Wrench
9613N	13mm 12 Point Reversible Ratcheting Combination Wrench	9622N	22mm 12 Point Reversible Ratcheting Combination Wrench
9614N	14mm 12 Point Reversible Ratcheting Combination Wrench	9624N	24mm 12 Point Reversible Ratcheting Combination Wrench
9615N	15mm 12 Point Reversible Ratcheting Combination Wrench	9625N	25mm 12 Point Reversible Ratcheting Combination Wrench

12 Pc. 12 Point Metric Reversible Combination Ratcheting Wrench Set

- 72 tooth ratcheting box end needs a minimal 5° to move fasteners vs. 30° for standard wrenches
- Flush mounted reversing lever allows you to change direction without removing the wrench
- Off-corner loading design on box end provides better grip and reduces fastener rounding
- 15° offset offers increased clearance
- Thin head and beam provide greater access in confined work areas
- Size conveniently stamped on the head and beam for quick identification
- Manufactured from alloy steel for better strength and longer tool life
- Bright, full polish chrome finish easily wipes clean and resists corrosion
- Meets or exceeds ASME and ANSI specifications
- Included tray for storage and organization



Cat. No.	Included Storage	Product Weight
9620N	Tray	3.75 lb



Cat. No.	Description	Cat. No.	Description
9608N	8mm 12 Point Reversible Ratcheting Combination Wrench	9614N	14mm 12 Point Reversible Ratcheting Combination Wrench
9609N	9mm 12 Point Reversible Ratcheting Combination Wrench	9615N	15mm 12 Point Reversible Ratcheting Combination Wrench
9610N	10mm 12 Point Reversible Ratcheting Combination Wrench	9616N	16mm 12 Point Reversible Ratcheting Combination Wrench
9611N	11mm 12 Point Reversible Ratcheting Combination Wrench	9617N	17mm 12 Point Reversible Ratcheting Combination Wrench
9612N	12mm 12 Point Reversible Ratcheting Combination Wrench	9618N	18mm 12 Point Reversible Ratcheting Combination Wrench
9613N	13mm 12 Point Reversible Ratcheting Combination Wrench	9619N	19mm 12 Point Reversible Ratcheting Combination Wrench

10 Pc. 12 Point Metric Reversible Combination Ratcheting Wrench Set with Roll

- 72 tooth ratcheting box end needs a minimal 5° to move fasteners vs. 30° for standard wrenches
- Flush mounted reversing lever allows you to change direction without removing the wrench
- Off-corner loading design on box end provides better grip and reduces fastener rounding
- 15° offset offers increased clearance
- Thin head and beam provide greater access in confined work areas
- Size conveniently stamped on the head and beam for quick identification
- Manufactured from alloy steel for better strength and longer tool life
- Bright, full polish chrome finish easily wipes clean and resists corrosion
- Meets or exceeds ASME and ANSI specifications
- Included tool roll for storage and organization



Cat. No.	Included Storage	Product Weight
85892	Tool Roll	3.960 lb



Cat. No.	Description	Cat. No.	Description
9608N	8mm 12 Point Reversible Ratcheting Combination Wrench	9615N	15mm 12 Point Reversible Ratcheting Combination Wrench
9610N	10mm 12 Point Reversible Ratcheting Combination Wrench	9616N	16mm 12 Point Reversible Ratcheting Combination Wrench
9612N	12mm 12 Point Reversible Ratcheting Combination Wrench	9617N	17mm 12 Point Reversible Ratcheting Combination Wrench
9613N	13mm 12 Point Reversible Ratcheting Combination Wrench	9618N	18mm 12 Point Reversible Ratcheting Combination Wrench
9614N	14mm 12 Point Reversible Ratcheting Combination Wrench	9619N	19mm 12 Point Reversible Ratcheting Combination Wrench

10 Pc. 12 Point Metric Reversible Combination Ratcheting Wrench Set with Roll

- 72 tooth ratcheting box end needs a minimal 5° to move fasteners vs. 30° for standard wrenches
- Flush mounted reversing lever allows you to change direction without removing the wrench
- Off-corner loading design on box end provides better grip and reduces fastener rounding
- 15° offset offers increased clearance
- Thin head and beam provide greater access in confined work areas
- Size conveniently stamped on the head and beam for quick identification
- Manufactured from alloy steel for better strength and longer tool life
- Bright, full polish chrome finish easily wipes clean and resists rust and corrosion
- Meets or exceeds ASME and ANSI specifications
- Included tool roll for storage and organization



Cat. No.	Included Storage	Product Weight
9601RN	Tool Roll	3.60 lb



Cat. No.	Description	Cat. No.	Description
9610N	10mm 12 Point Reversible Ratcheting Combination Wrench	9615N	15mm 12 Point Reversible Ratcheting Combination Wrench
9611N	11mm 12 Point Reversible Ratcheting Combination Wrench	9616N	16mm 12 Point Reversible Ratcheting Combination Wrench
9612N	12mm 12 Point Reversible Ratcheting Combination Wrench	9617N	17mm 12 Point Reversible Ratcheting Combination Wrench
9613N	13mm 12 Point Reversible Ratcheting Combination Wrench	9618N	18mm 12 Point Reversible Ratcheting Combination Wrench
9614N	14mm 12 Point Reversible Ratcheting Combination Wrench	9619N	19mm 12 Point Reversible Ratcheting Combination Wrench

8 Pc. 12 Point Metric Reversible Combination Ratcheting Wrench Set

- 72 tooth ratcheting box end needs a minimal 5° to move fasteners vs. 30° for standard wrenches
- Flush mounted reversing lever allows you to change direction without removing the wrench
- Off-corner loading design on box end provides better grip and reduces fastener rounding
- 15° offset offers increased clearance
- Thin head and beam provide greater access in confined work areas
- Size conveniently stamped on the head and beam for quick identification
- Manufactured from alloy steel for better strength and longer tool life
- Bright, full polish chrome finish easily wipes clean and resists corrosion
- Meets or exceeds ASME and ANSI specifications
- Included tray for storage and organization



Cat. No.	Included Storage	Product Weight
9543	Tray	2.71 lb



Cat. No.	Description	Cat. No.	Description
9608N	8mm 12 Point Reversible Ratcheting Combination Wrench	9614N	14mm 12 Point Reversible Ratcheting Combination Wrench
9610N	10mm 12 Point Reversible Ratcheting Combination Wrench	9615N	15mm 12 Point Reversible Ratcheting Combination Wrench
9612N	12mm 12 Point Reversible Ratcheting Combination Wrench	9617N	17mm 12 Point Reversible Ratcheting Combination Wrench
9613N	13mm 12 Point Reversible Ratcheting Combination Wrench	9619N	19mm 12 Point Reversible Ratcheting Combination Wrench

12 Point Reversible Combination Ratcheting Wrenches

- 72 tooth ratcheting box end needs a minimal 5° to move fasteners vs. 30° for standard wrenches
- Flush mounted reversing lever allows you to change direction without removing the wrench
- Off-corner loading design on box end provides better grip and reduces fastener rounding
- 15° offset offers increased clearance
- Thin head and beam provide greater access in confined work areas
- Size conveniently stamped on the head and beam for quick identification
- Manufactured from alloy steel for better strength and longer tool life
- Bright, full polish chrome finish easily wipes clean and resists corrosion
- Meets or exceeds ASME and ANSI specifications



Cat. No.	SAE/Metric	Fastener Size	End A Width	End A Thickness	End B Width	End B Thickness	Overall Length	Product Weight
9525ND	SAE	5/16 in	0.768 in	0.197 in	0.665 in	0.272 in	5.433 in	0.11 lb
9521ND	SAE	11/32 in	0.768 in	0.213 in	0.701 in	0.272 in	5.795 in	0.12 lb
9526ND	SAE	3/8 in	0.862 in	0.224 in	0.78 in	0.303 in	6.169 in	0.14 lb
9527N	SAE	7/16 in	0.953 in	0.252 in	0.854 in	0.323 in	6.413 in	0.16 lb
9528N	SAE	1/2 in	1.146 in	0.319 in	0.984 in	0.339 in	6.902 in	0.22 lb
9529N	SAE	9/16 in	1.228 in	0.327 in	1.035 in	0.37 in	7.398 in	0.27 lb
9530ND	SAE	5/8 in	1.358 in	0.346 in	1.201 in	0.406 in	8.087 in	0.34 lb
9531ND	SAE	11/16 in	1.492 in	0.362 in	1.272 in	0.421 in	8.74 in	0.40 lb
9532N	SAE	3/4 in	1.626 in	0.374 in	1.339 in	0.441 in	9.594 in	0.53 lb
9534N	SAE	13/16 in	1.811 in	0.39 in	1.535 in	0.512 in	11.476 in	0.91 lb
9538N	SAE	7/8 in	1.811 in	0.39 in	1.535 in	0.512 in	11.476 in	1.17 lb
9539N	SAE	15/16 in	2.055 in	0.429 in	1.791 in	0.571 in	14 in	1.27 lb
9540N	SAE	1 in	2.055 in	0.429 in	1.791 in	0.571 in	14 in	1.32 lb
9608N	Metric	8 mm	0.768 in	0.197 in	0.665 in	0.272 in	5.433 in	0.10 lb
9609N	Metric	9 mm	0.768 in	0.213 in	0.701 in	0.272 in	5.795 in	0.11 lb
9610N	Metric	10 mm	0.862 in	0.224 in	0.78 in	0.303 in	6.169 in	0.14 lb
9611N	Metric	11 mm	0.953 in	0.252 in	0.854 in	0.323 in	6.413 in	0.15 lb
9612N	Metric	12 mm	1.047 in	0.291 in	0.906 in	0.339 in	6.657 in	0.37 lb
9613N	Metric	13 mm	1.146 in	0.319 in	0.984 in	0.339 in	6.902 in	0.23 lb
9614N	Metric	14 mm	1.228 in	0.327 in	1.035 in	0.37 in	7.398 in	0.26 lb
9615N	Metric	15 mm	1.327 in	0.327 in	1.13 in	0.39 in	7.748 in	0.30 lb
9616N	Metric	16 mm	1.358 in	0.346 in	1.201 in	0.406 in	8.087 in	0.40 lb
9617N	Metric	17 mm	1.492 in	0.362 in	1.272 in	0.421 in	8.74 in	0.42 lb
9618N	Metric	18 mm	1.583 in	0.37 in	1.307 in	0.441 in	9.169 in	0.45 lb
9619N	Metric	19 mm	1.626 in	0.374 in	1.339 in	0.441 in	9.594 in	0.54 lb
9621N	Metric	21 mm	1.811 in	0.39 in	1.535 in	0.512 in	11.476 in	0.88 lb
9622N	Metric	22 mm	1.811 in	0.39 in	1.535 in	0.512 in	11.476 in	1.01 lb
9624N	Metric	24 mm	2.055 in	0.429 in	1.791 in	0.571 in	14 in	1.15 lb
9625N	Metric	25 mm	2.055 in	0.429 in	1.791 in	0.571 in	14 in	1.27 lb

9 Pc. 12 Point SAE XL X-Beam™ Reversible Combination Ratcheting Wrench Set

- 72 tooth ratcheting box end needs a minimal 5° to move fasteners vs. 30° for standard wrenches
- X-Beam™ design lets you apply force to the flat side of the wrench, reducing hand fatigue
- Longer beam provides greater access to confined work areas vs. standard length wrenches
- Off-corner loading design on box end provides better grip and reduces fastener rounding
- One piece forged beam design with no weak spots for twisting
- Flush mounted reversing lever allows you to change direction without removing the wrench
- Manufactured from alloy steel for better strength and longer tool life
- Bright, full polish chrome finish easily wipes clean and resists corrosion
- Included tray for storage and organization



Cat. No.	Included Storage	Product Weight
85398	Tray	3.84 lb



Cat. No.	Description	Cat. No.	Description
85360	5/16" 12 Point Reversible XL X-Beam™ Ratcheting Combination Wrench	85368	9/16" 12 Point Reversible XL X-Beam™ Ratcheting Combination Wrench
85361	11/32" 12 Point Reversible XL X-Beam™ Ratcheting Combination Wrench	85370	5/8" 12 Point Reversible XL X-Beam™ Ratcheting Combination Wrench
85362	3/8" 12 Point Reversible XL X-Beam™ Ratcheting Combination Wrench	85372	11/16" 12 Point Reversible XL X-Beam™ Ratcheting Combination Wrench
85364	7/16" 12 Point Reversible XL X-Beam™ Ratcheting Combination Wrench	85374	3/4" 12 Point Reversible XL X-Beam™ Ratcheting Combination Wrench
85366	1/2" 12 Point Reversible XL X-Beam™ Ratcheting Combination Wrench		

12 Pc. 12 Point Metric XL X-Beam™ Reversible Combination Ratcheting Wrench Set

- 72 tooth ratcheting box end needs a minimal 5° to move fasteners vs. 30° for standard wrenches
- X-Beam™ design lets you apply force to the flat side of the wrench, reducing hand fatigue
- Longer beam provides greater access to confined work areas vs. standard length wrenches
- Off-corner loading design on box end provides better grip and reduces fastener rounding
- One piece forged beam design with no weak spots for twisting
- Flush mounted reversing lever allows you to change direction without removing the wrench
- Manufactured from alloy steel for better strength and longer tool life
- Bright, full polish chrome finish easily wipes clean and resists corrosion
- Included tray for storage and organization



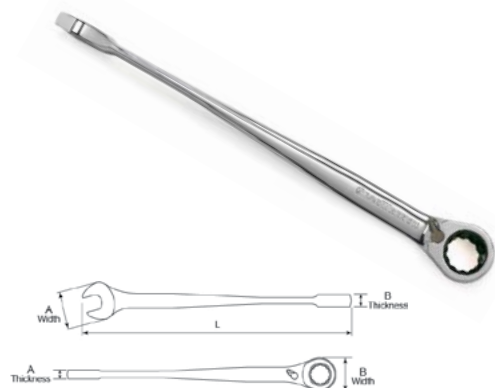
Cat. No.	Included Storage	Product Weight
85388	Tray	5.06 lb



Cat. No.	Description	Cat. No.	Description
85308	8mm 12 Point Reversible XL X-Beam™ Ratcheting Combination Wrench	85314	14mm 12 Point Reversible XL X-Beam™ Ratcheting Combination Wrench
85309	9mm 12 Point Reversible XL X-Beam™ Ratcheting Combination Wrench	85315	15mm 12 Point Reversible XL X-Beam™ Ratcheting Combination Wrench
85310D	10mm 12 Point Reversible XL X-Beam™ Ratcheting Combination Wrench	85316	16mm 12 Point Reversible XL X-Beam™ Ratcheting Combination Wrench
85311	11mm 12 Point Reversible XL X-Beam™ Ratcheting Combination Wrench	85317	17mm 12 Point Reversible XL X-Beam™ Ratcheting Combination Wrench
85312D	12mm 12 Point Reversible XL X-Beam™ Ratcheting Combination Wrench	85318	18mm 12 Point Reversible XL X-Beam™ Ratcheting Combination Wrench
85313	13mm 12 Point Reversible XL X-Beam™ Ratcheting Combination Wrench	85319D	19mm 12 Point Reversible XL X-Beam™ Ratcheting Combination Wrench

12 Point XL X-Beam™ Reversible Combination Ratcheting Wrenches

- 72 tooth ratcheting box end needs a minimal 5° to move fasteners vs. 30° for standard wrenches
- X-Beam™ design lets you apply force to the flat side of the wrench, reducing hand fatigue
- Longer beam provides greater access to confined work areas vs. standard length wrenches
- Off-corner loading design on box end provides better grip and reduces fastener rounding
- One piece forged beam design with no weak spots for twisting
- Flush mounted reversing lever allows you to change direction without removing the wrench
- Manufactured from alloy steel for better strength and longer tool life
- Bright, full polish chrome finish easily wipes clean and resists corrosion



Cat. No.	SAE/Metric	Fastener Size	End A Width	End A Thickness	End B Width	End B Thickness	Overall Length	Product Weight
85360	SAE	5/16 in	0.77 in	0.2 in	0.67 in	0.27 in	5.91 in	0.09 lb
85361	SAE	11/32 in	0.77 in	0.21 in	0.7 in	0.27 in	6.5 in	0.11 lb
85362	SAE	3/8 in	0.86 in	0.22 in	0.78 in	0.3 in	7.09 in	0.15 lb
85364	SAE	7/16 in	0.95 in	0.25 in	0.85 in	0.32 in	7.68 in	0.19 lb
85366	SAE	1/2 in	1.15 in	0.32 in	0.98 in	0.34 in	8.66 in	0.26 lb
85368	SAE	9/16 in	1.23 in	0.33 in	1.04 in	0.37 in	9.25 in	0.31 lb
85370	SAE	5/8 in	1.36 in	0.35 in	1.2 in	0.41 in	10.24 in	0.45 lb
85372	SAE	11/16 in	1.49 in	0.36 in	1.27 in	0.42 in	10.83 in	0.54 lb
85374	SAE	3/4 in	1.63 in	0.37 in	1.34 in	0.44 in	12.01 in	0.66 lb
85308	Metric	8 mm	0.77 in	0.2 in	0.67 in	0.27 in	5.91 in	0.09 lb
85309	Metric	9 mm	0.77 in	0.21 in	0.7 in	0.27 in	6.5 in	0.11 lb
85310D	Metric	10 mm	0.86 in	0.22 in	0.78 in	0.3 in	7.09 in	0.15 lb
85311	Metric	11 mm	0.95 in	0.25 in	0.85 in	0.32 in	7.68 in	0.19 lb
85312D	Metric	12 mm	1.05 in	0.29 in	0.91 in	0.34 in	8.15 in	0.22 lb
85313	Metric	13 mm	1.15 in	0.32 in	0.98 in	0.34 in	8.66 in	0.26 lb
85314	Metric	14 mm	1.23 in	0.33 in	1.04 in	0.37 in	9.25 in	0.31 lb
85315	Metric	15 mm	1.33 in	0.33 in	1.13 in	0.39 in	9.84 in	0.40 lb
85316	Metric	16 mm	1.36 in	0.35 in	1.2 in	0.41 in	10.24 in	0.45 lb
85317	Metric	17 mm	1.49 in	0.36 in	1.27 in	0.42 in	10.83 in	0.54 lb
85318	Metric	18 mm	1.58 in	0.37 in	1.31 in	0.44 in	11.42 in	0.58 lb
85319D	Metric	19 mm	1.63 in	0.37 in	1.34 in	0.44 in	12.01 in	0.66 lb

11 Pc. 120XP™ Universal Spline SAE XL Flex Combination Ratcheting Wrench Set

- 120XP™ wrenches have two double stacked 60-tooth pawls (120 positions) providing a 3° swing arc so you can turn fasteners in tighter confines
- Universal spline drive fits 12-point, 6-point, rounded 6-point, spline, External Torx® and square fasteners
- X-Beam™ design is up to 25% longer than standard wrenches for improved reach, leverage, and torque
- Dual-direction off-corner loading for better grip and reduced fastener rounding
- Highly visible, recessed size markings are color coded for easy identification
- Flexible head provides access to hard-to-reach bolts and fasteners
- Manufactured from alloy steel for better strength and longer tool life
- Bright, full polish chrome finish easily wipes clean and resists corrosion
- Included rack for storage and organization



Cat. No.	Included Storage	Product Weight
86247	Wrench Rack	3.395 lb



Cat. No.	Description	Cat. No.	Description
86232	1/4" 120XP™ Universal Spline XL Flex Ratcheting Combination Wrench	86238	1/2" 120XP™ Universal Spline XL Flex Ratcheting Combination Wrench
86233	9/32" 120XP™ Universal Spline XL Flex Ratcheting Combination Wrench	86239	9/16" 120XP™ Universal Spline XL Flex Ratcheting Combination Wrench
86234	5/16" 120XP™ Universal Spline XL Flex Ratcheting Combination Wrench	86240	5/8" 120XP™ Universal Spline XL Flex Ratcheting Combination Wrench
86235	11/32" 120XP™ Universal Spline XL Flex Ratcheting Combination Wrench	86241	11/16" 120XP™ Universal Spline XL Flex Ratcheting Combination Wrench
86236	3/8" 120XP™ Universal Spline XL Flex Ratcheting Combination Wrench	86242	3/4" 120XP™ Universal Spline XL Flex Ratcheting Combination Wrench
86237	7/16" 120XP™ Universal Spline XL Flex Ratcheting Combination Wrench		

12 Pc. 120XP™ Universal Spline Metric XL Flex Combination Ratcheting Wrench Set

- 120XP™ wrenches have two double stacked 60-tooth pawls (120 positions) providing a 3° swing arc so you can turn fasteners in tighter confines
- Universal spline drive fits 12-point, 6-point, rounded 6-point, spline, External Torx® and square fasteners
- X-Beam™ design is up to 25% longer than standard wrenches for improved reach, leverage, and torque
- Dual-direction off-corner loading for better grip and reduced fastener rounding
- Highly visible, recessed size markings are color coded for easy identification
- Flexible head provides access to hard-to-reach bolts and fasteners
- Manufactured from alloy steel for better strength and longer tool life
- Bright, full polish chrome finish easily wipes clean and resists corrosion
- Included rack for storage and organization



Cat. No.	Included Storage	Product Weight
86229	Wrench Rack	4.425 lb

Cat. No.	Description	Cat. No.	Description
86208	8mm 120XP™ Universal Spline XL Flex Ratcheting Combination Wrench	86214	14mm 120XP™ Universal Spline XL Flex Ratcheting Combination Wrench
86209	9mm 120XP™ Universal Spline XL Flex Ratcheting Combination Wrench	86215	15mm 120XP™ Universal Spline XL Flex Ratcheting Combination Wrench
86210	10mm 120XP™ Universal Spline XL Flex Ratcheting Combination Wrench	86216	16mm 120XP™ Universal Spline XL Flex Ratcheting Combination Wrench
86211	11mm 120XP™ Universal Spline XL Flex Ratcheting Combination Wrench	86217	17mm 120XP™ Universal Spline XL Flex Ratcheting Combination Wrench
86212	12mm 120XP™ Universal Spline XL Flex Ratcheting Combination Wrench	86218	18mm 120XP™ Universal Spline XL Flex Ratcheting Combination Wrench
86213	13mm 120XP™ Universal Spline XL Flex Ratcheting Combination Wrench	86219	19mm 120XP™ Universal Spline XL Flex Ratcheting Combination Wrench



14 Pc. 12 Point SAE/Metric Flex Combination Ratcheting Wrench Set

- 72 tooth ratcheting box end needs a minimal 5° to move fasteners vs. 30° for standard wrenches
- Flexible head provides access to hard-to-reach bolts and fasteners
- Off-corner loading design on box end provides better grip and reduces fastener rounding
- Meets or exceeds ASME and ANSI specifications
- Bright, full polish chrome finish easily wipes clean and resists corrosion
- Included tray for storage and organization



Cat. No.	Included Storage	Product Weight
85141	Tray	5.940 lb



Cat. No.	Description	Cat. No.	Description
9706	3/8" 12 Point Flex Ratcheting Combination Wrench	9910D	10mm 12 Point Flex Ratcheting Combination Wrench
9707	7/16" 12 Point Flex Ratcheting Combination Wrench	9912D	12mm 12 Point Flex Ratcheting Combination Wrench
9708	1/2" 12 Point Flex Ratcheting Combination Wrench	9913D	13mm 12 Point Flex Ratcheting Combination Wrench
9709	9/16" 12 Point Flex Ratcheting Combination Wrench	9914D	14mm 12 Point Flex Ratcheting Combination Wrench
9710	5/8" 12 Point Flex Ratcheting Combination Wrench	9915D	15mm 12 Point Flex Ratcheting Combination Wrench
9711	11/16" 12 Point Flex Ratcheting Combination Wrench	9917	17mm 12 Point Flex Ratcheting Combination Wrench
9712	3/4" 12 Point Flex Ratcheting Combination Wrench	9919D	19mm 12 Point Flex Ratcheting Combination Wrench

13 Pc. 12 Point SAE Flex Combination Ratcheting Wrench Set

- 72 tooth ratcheting box end needs a minimal 5° to move fasteners vs. 30° for standard wrenches
- Off-corner loading design on box end provides better grip and reduces fastener rounding
- Thin head and beam provide greater access in confined work areas
- Flexible head provides access to hard-to-reach bolts and fasteners
- Size conveniently stamped on both ends of the beam for quick identification
- Manufactured from alloy steel for better strength and longer tool life
- Bright, full polish chrome finish easily wipes clean and resists corrosion
- Meets or exceeds ASME and ANSI specifications
- Included rack for storage and organization



Cat. No.	Included Storage	Product Weight
9702D	Wrench Rack	7.20 lb

Cat. No.	Description	Cat. No.	Description
9705	5/16" 12 Point Flex Ratcheting Combination Wrench	9711	11/16" 12 Point Flex Ratcheting Combination Wrench
9704D	11/32" 12 Point Flex Ratcheting Combination Wrench	9712	3/4" 12 Point Flex Ratcheting Combination Wrench
9706	3/8" 12 Point Flex Ratcheting Combination Wrench	9713	13/16" 12 Point Flex Ratcheting Combination Wrench
9707	7/16" 12 Point Flex Ratcheting Combination Wrench	9714D	7/8" 12 Point Flex Ratcheting Combination Wrench
9708	1/2" 12 Point Flex Ratcheting Combination Wrench	9715D	15/16" 12 Point Flex Ratcheting Combination Wrench
9709	9/16" 12 Point Flex Ratcheting Combination Wrench	9716D	1" 12 Point Flex Ratcheting Combination Wrench
9710	5/8" 12 Point Flex Ratcheting Combination Wrench		

10 Pc. 12 Point SAE Flex Combination Ratcheting Wrench Set

- 72 tooth ratcheting box end needs a minimal 5° to move fasteners vs. 30° for standard wrenches
- Off-corner loading design on box end provides better grip and reduces fastener rounding
- Thin head and beam provide greater access in confined work areas
- Flexible head provides access to hard-to-reach bolts and fasteners
- Size conveniently stamped on both ends of the beam for quick identification
- Manufactured from alloy steel for better strength and longer tool life
- Bright, full polish chrome finish easily wipes clean and resists corrosion
- Meets or exceeds ASME and ANSI specifications
- Included tool roll for storage and organization



Cat. No.	Included Storage	Product Weight
85893	Tool Roll	5.510 lb

Cat. No.	Description	Cat. No.	Description
9705	5/16" 12 Point Flex Ratcheting Combination Wrench	9710	5/8" 12 Point Flex Ratcheting Combination Wrench
9706	3/8" 12 Point Flex Ratcheting Combination Wrench	9711	11/16" 12 Point Flex Ratcheting Combination Wrench
9707	7/16" 12 Point Flex Ratcheting Combination Wrench	9712	3/4" 12 Point Flex Ratcheting Combination Wrench
9708	1/2" 12 Point Flex Ratcheting Combination Wrench	9713	13/16" 12 Point Flex Ratcheting Combination Wrench
9709	9/16" 12 Point Flex Ratcheting Combination Wrench	9714D	7/8" 12 Point Flex Ratcheting Combination Wrench

8 Pc. 12 Point SAE Flex Combination Ratcheting Wrench Set

- 72 tooth ratcheting box end needs a minimal 5° to move fasteners vs. 30° for standard wrenches
- Off-corner loading design on box end provides better grip and reduces fastener rounding
- Thin head and beam provide greater access in confined work areas
- Flexible head provides access to hard-to-reach bolts and fasteners
- Size conveniently stamped on both ends of the beam for quick identification
- Manufactured from alloy steel for better strength and longer tool life
- Bright, full polish chrome finish easily wipes clean and resists corrosion
- Meets or exceeds ASME and ANSI specifications
- Included rack for storage and organization



Cat. No.	Included Storage	Product Weight
9701	Wrench Rack	2.46 lb

Cat. No.	Description	Cat. No.	Description
9705	5/16" 12 Point Flex Ratcheting Combination Wrench	9709	9/16" 12 Point Flex Ratcheting Combination Wrench
9706	3/8" 12 Point Flex Ratcheting Combination Wrench	9710	5/8" 12 Point Flex Ratcheting Combination Wrench
9707	7/16" 12 Point Flex Ratcheting Combination Wrench	9711	11/16" 12 Point Flex Ratcheting Combination Wrench
9708	1/2" 12 Point Flex Ratcheting Combination Wrench	9712	3/4" 12 Point Flex Ratcheting Combination Wrench

7 Pc. 12 Point SAE Flex Combination Ratcheting Wrench Set

- 72 tooth ratcheting box end needs a minimal 5° to move fasteners vs. 30° for standard wrenches
- Off-corner loading design on box end provides better grip and reduces fastener rounding
- Thin head and beam provide greater access in confined work areas
- Flexible head provides access to hard-to-reach bolts and fasteners
- Size conveniently stamped on both ends of the beam for quick identification
- Manufactured from alloy steel for better strength and longer tool life
- Bright, full polish chrome finish easily wipes clean and resists corrosion
- Meets or exceeds ASME and ANSI specifications
- Included tray for storage and organization



Cat. No.	Included Storage	Product Weight
9700	Tray	2.86 lb

Cat. No.	Description	Cat. No.	Description
9706	3/8" 12 Point Flex Ratcheting Combination Wrench	9710	5/8" 12 Point Flex Ratcheting Combination Wrench
9707	7/16" 12 Point Flex Ratcheting Combination Wrench	9711	11/16" 12 Point Flex Ratcheting Combination Wrench
9708	1/2" 12 Point Flex Ratcheting Combination Wrench	9712	3/4" 12 Point Flex Ratcheting Combination Wrench
9709	9/16" 12 Point Flex Ratcheting Combination Wrench		

4 Pc. 12 Point SAE Flex Combination Ratcheting Wrench Set

- 72 tooth ratcheting box end needs a minimal 5° to move fasteners vs. 30° for standard wrenches
- Off-corner loading design on box end provides better grip and reduces fastener rounding
- Thin head and beam provide greater access in confined work areas
- Flexible head provides access to hard-to-reach bolts and fasteners
- Size conveniently stamped on both ends of the beam for quick identification
- Manufactured from alloy steel for better strength and longer tool life
- Bright, full polish chrome finish easily wipes clean and resists corrosion
- Meets or exceeds ASME and ANSI specifications
- Included rack for storage and organization



Cat. No.	Included Storage	Product Weight
9703	Wrench Rack	4.85 lb

Cat. No.	Description	Cat. No.	Description
9713	13/16" 12 Point Flex Ratcheting Combination Wrench	9715D	15/16" 12 Point Flex Ratcheting Combination Wrench
9714D	7/8" 12 Point Flex Ratcheting Combination Wrench	9716D	1" 12 Point Flex Ratcheting Combination Wrench

16 Pc. 12 Point Metric Flex Combination Ratcheting Wrench Set

- 72 tooth ratcheting box end needs a minimal 5° to move fasteners vs. 30° for standard wrenches
- Off-corner loading design on box end provides better grip and reduces fastener rounding
- Thin head and beam provide greater access in confined work areas
- Flexible head provides access to hard-to-reach bolts and fasteners
- Size conveniently stamped on both ends of the beam for quick identification
- Manufactured from alloy steel for better strength and longer tool life
- Bright, full polish chrome finish easily wipes clean and resists corrosion
- Meets or exceeds ASME and ANSI specifications
- Included rack for storage and organization



Cat. No.	Included Storage	Product Weight
9902D	Wrench Rack	9.00 lb

Cat. No.	Description	Cat. No.	Description
9908D	8mm 12 Point Flex Ratcheting Combination Wrench	9916D	16mm 12 Point Flex Ratcheting Combination Wrench
9909D	9mm 12 Point Flex Ratcheting Combination Wrench	9917	17mm 12 Point Flex Ratcheting Combination Wrench
9910D	10mm 12 Point Flex Ratcheting Combination Wrench	9918	18mm 12 Point Flex Ratcheting Combination Wrench
9911D	11mm 12 Point Flex Ratcheting Combination Wrench	9919D	19mm 12 Point Flex Ratcheting Combination Wrench
9912D	12mm 12 Point Flex Ratcheting Combination Wrench	9921D	21mm 12 Point Flex Ratcheting Combination Wrench
9913D	13mm 12 Point Flex Ratcheting Combination Wrench	9922D	22mm 12 Point Flex Ratcheting Combination Wrench
9914D	14mm 12 Point Flex Ratcheting Combination Wrench	9924D	24mm 12 Point Flex Ratcheting Combination Wrench
9915D	15mm 12 Point Flex Ratcheting Combination Wrench	9925D	25mm 12 Point Flex Ratcheting Combination Wrench

12 Pc. 12 Point Metric Flex Combination Ratcheting Wrench Set

- 72 tooth ratcheting box end needs a minimal 5° to move fasteners vs. 30° for standard wrenches
- Off-corner loading design on box end provides better grip and reduces fastener rounding
- Thin head and beam provide greater access in confined work areas
- Flexible head provides access to hard-to-reach bolts and fasteners
- Size conveniently stamped on both ends of the beam for quick identification
- Manufactured from alloy steel for better strength and longer tool life
- Bright, full polish chrome finish easily wipes clean and resists corrosion
- Meets or exceeds ASME and ANSI specifications
- Included rack for storage and organization



Cat. No.	Included Storage	Product Weight
9901D	Wrench Rack	6.80 lb

Cat. No.	Description	Cat. No.	Description
9908D	8mm 12 Point Flex Ratcheting Combination Wrench	9914D	14mm 12 Point Flex Ratcheting Combination Wrench
9909D	9mm 12 Point Flex Ratcheting Combination Wrench	9915D	15mm 12 Point Flex Ratcheting Combination Wrench
9910D	10mm 12 Point Flex Ratcheting Combination Wrench	9916D	16mm 12 Point Flex Ratcheting Combination Wrench
9911D	11mm 12 Point Flex Ratcheting Combination Wrench	9917	17mm 12 Point Flex Ratcheting Combination Wrench
9912D	12mm 12 Point Flex Ratcheting Combination Wrench	9918	18mm 12 Point Flex Ratcheting Combination Wrench
9913D	13mm 12 Point Flex Ratcheting Combination Wrench	9919D	19mm 12 Point Flex Ratcheting Combination Wrench

10 Pc. 12 Point Metric Flex Combination Ratcheting Wrench Set

- 72 tooth ratcheting box end needs a minimal 5° to move fasteners vs. 30° for standard wrenches
- Off-corner loading design on box end provides better grip and reduces fastener rounding
- Thin head and beam provide greater access in confined work areas
- Flexible head provides access to hard-to-reach bolts and fasteners
- Size conveniently stamped on both ends of the beam for quick identification
- Manufactured from alloy steel for better strength and longer tool life
- Bright, full polish chrome finish easily wipes clean and resists corrosion
- Meets or exceeds ASME and ANSI specifications
- Included tool roll for storage and organization



Cat. No.	Included Storage	Product Weight
85894	Tool Roll	4.410 lb

Cat. No.	Description	Cat. No.	Description
9908D	8mm 12 Point Flex Ratcheting Combination Wrench	9915D	15mm 12 Point Flex Ratcheting Combination Wrench
9910D	10mm 12 Point Flex Ratcheting Combination Wrench	9916D	16mm 12 Point Flex Ratcheting Combination Wrench
9912D	12mm 12 Point Flex Ratcheting Combination Wrench	9917	17mm 12 Point Flex Ratcheting Combination Wrench
9913D	13mm 12 Point Flex Ratcheting Combination Wrench	9918	18mm 12 Point Flex Ratcheting Combination Wrench
9914D	14mm 12 Point Flex Ratcheting Combination Wrench	9919D	19mm 12 Point Flex Ratcheting Combination Wrench

7 Pc. 12 Point Metric Flex Combination Ratcheting Wrench Set

- 72 tooth ratcheting box end needs a minimal 5° to move fasteners vs. 30° for standard wrenches
- Off-corner loading design on box end provides better grip and reduces fastener rounding
- Thin head and beam provide greater access in confined work areas
- Flexible head provides access to hard-to-reach bolts and fasteners
- Size conveniently stamped on both ends of the beam for quick identification
- Manufactured from alloy steel for better strength and longer tool life
- Bright, full polish chrome finish easily wipes clean and resists corrosion
- Meets or exceeds ASME and ANSI specifications
- Included tray for storage and organization



Cat. No.	Included Storage	Product Weight
9900D	Tray	2.86 lb

Cat. No.	Description	Cat. No.	Description
9910D	10mm 12 Point Flex Ratcheting Combination Wrench	9915D	15mm 12 Point Flex Ratcheting Combination Wrench
9912D	12mm 12 Point Flex Ratcheting Combination Wrench	9917	17mm 12 Point Flex Ratcheting Combination Wrench
9913D	13mm 12 Point Flex Ratcheting Combination Wrench	9919D	19mm 12 Point Flex Ratcheting Combination Wrench
9914D	14mm 12 Point Flex Ratcheting Combination Wrench		

4 Pc. 12 Point Metric Flex Combination Ratcheting Wrench Set

- 72 tooth ratcheting box end needs a minimal 5° to move fasteners vs. 30° for standard wrenches
- Off-corner loading design on box end provides better grip and reduces fastener rounding
- Thin head and beam provide greater access in confined work areas
- Flexible head provides access to hard-to-reach bolts and fasteners
- Size conveniently stamped on both ends of the beam for quick identification
- Manufactured from alloy steel for better strength and longer tool life
- Bright, full polish chrome finish easily wipes clean and resists corrosion
- Meets or exceeds ASME and ANSI specifications
- Included rack for storage and organization



Cat. No.	Included Storage	Product Weight
9903D	Wrench Rack	4.85 lb

Cat. No.	Description	Cat. No.	Description
9921D	21mm 12 Point Flex Ratcheting Combination Wrench	9924D	24mm 12 Point Flex Ratcheting Combination Wrench
9922D	22mm 12 Point Flex Ratcheting Combination Wrench	9925D	25mm 12 Point Flex Ratcheting Combination Wrench

12 Point Flex Combination Ratcheting Wrenches

- 72 tooth ratcheting box end needs a minimal 5° to move fasteners vs. 30° for standard wrenches
- Off-corner loading design on box end provides better grip and reduces fastener rounding
- Thin head and beam provide greater access in confined work areas
- Flexible head provides access to hard-to-reach bolts and fasteners
- Size conveniently stamped on both ends of the beam for quick identification
- Manufactured from alloy steel for better strength and longer tool life
- Bright, full polish chrome finish easily wipes clean and resists corrosion
- Meets or exceeds ASME and ANSI specifications



Cat. No.	SAE/Metric	Fastener Size	End A Width	End A Thickness	End B Width	End B Thickness	Overall Length	Product Weight
9705	SAE	5/16 in	0.768 in	0.197 in	0.665 in	0.272 in	5.508 in	0.12 lb
9704D	SAE	11/32 in	0.768 in	0.213 in	0.701 in	0.272 in	5.882 in	0.14 lb
9706	SAE	3/8 in	0.862 in	0.224 in	0.78 in	0.303 in	6.252 in	0.16 lb
9707	SAE	7/16 in	0.953 in	0.252 in	0.854 in	0.323 in	6.504 in	0.18 lb
9708	SAE	1/2 in	1.146 in	0.319 in	0.984 in	0.339 in	7.004 in	0.23 lb
9709	SAE	9/16 in	1.228 in	0.327 in	1.035 in	0.37 in	7.504 in	0.26 lb
9710	SAE	5/8 in	1.358 in	0.346 in	1.201 in	0.406 in	8.197 in	0.37 lb
9711	SAE	11/16 in	1.492 in	0.362 in	1.272 in	0.421 in	8.878 in	0.55 lb
9712	SAE	3/4 in	1.626 in	0.374 in	1.339 in	0.441 in	9.764 in	0.86 lb
9713	SAE	13/16 in	1.811 in	0.39 in	1.535 in	0.512 in	11.476 in	1.00 lb
9714D	SAE	7/8 in	1.811 in	0.39 in	1.535 in	0.512 in	11.476 in	1.14 lb
9715D	SAE	15/16 in	2.055 in	0.429 in	1.791 in	0.571 in	13.114 in	1.29 lb
9716D	SAE	1 in	2.055 in	0.429 in	1.791 in	0.571 in	13.114 in	1.32 lb
9908D	Metric	8 mm	0.768 in	0.197 in	0.665 in	0.272 in	5.508 in	0.12 lb
9909D	Metric	9 mm	0.768 in	0.213 in	0.701 in	0.272 in	5.882 in	0.13 lb
9910D	Metric	10 mm	0.862 in	0.224 in	0.78 in	0.303 in	6.252 in	0.14 lb
9911D	Metric	11 mm	0.953 in	0.252 in	0.854 in	0.323 in	6.504 in	0.16 lb
9912D	Metric	12 mm	1.047 in	0.291 in	0.906 in	0.339 in	6.756 in	0.19 lb
9913D	Metric	13 mm	1.146 in	0.319 in	0.984 in	0.339 in	7.004 in	0.22 lb
9914D	Metric	14 mm	1.228 in	0.327 in	1.035 in	0.37 in	7.504 in	0.27 lb
9915D	Metric	15 mm	1.327 in	0.327 in	1.13 in	0.39 in	7.854 in	0.31 lb
9916D	Metric	16 mm	1.358 in	0.346 in	1.201 in	0.406 in	8.197 in	0.36 lb
9917	Metric	17 mm	1.492 in	0.362 in	1.272 in	0.421 in	8.878 in	0.43 lb
9918	Metric	18 mm	1.583 in	0.37 in	1.307 in	0.441 in	9.315 in	0.51 lb
9919D	Metric	19 mm	1.626 in	0.374 in	1.339 in	0.441 in	9.764 in	0.57 lb
9921D	Metric	21 mm	1.811 in	0.39 in	1.535 in	0.512 in	11.476 in	0.99 lb
9922D	Metric	22 mm	1.811 in	0.39 in	1.535 in	0.512 in	11.476 in	0.98 lb
9924D	Metric	24 mm	2.055 in	0.429 in	1.791 in	0.571 in	13.114 in	1.38 lb
9925D	Metric	25 mm	2.055 in	0.429 in	1.791 in	0.571 in	14 in	1.36 lb

7 Pc. 12 Point SAE Stubby Flex Combination Ratcheting Wrench Set

- 72 tooth ratcheting box end needs a minimal 5° to move fasteners vs. 30° for standard wrenches
- Off-corner loading design on box end provides better grip and reduces fastener rounding
- Flexible head provides access to hard-to-reach bolts and fasteners
- Thin head and beam provide greater access in confined work areas
- Stubby beam length for when clearance is limited
- Manufactured from alloy steel for better strength and longer tool life
- Bright, full polish chrome finish easily wipes clean and resists corrosion
- Meets or exceeds ASME and ANSI specifications
- Included tray for storage and organization



Cat. No.	Included Storage	Product Weight
9570	Tray	2.20 lb



Cat. No.	Description	Cat. No.	Description
9571	3/8" 12 Point Stubby Flex Ratcheting Combination Wrench	9575	5/8" 12 Point Stubby Flex Ratcheting Combination Wrench
9572	7/16" 12 Point Stubby Flex Ratcheting Combination Wrench	9576	11/16" 12 Point Stubby Flex Ratcheting Combination Wrench
9573	1/2" 12 Point Stubby Flex Ratcheting Combination Wrench	9577	3/4" 12 Point Stubby Flex Ratcheting Combination Wrench
9574	9/16" 12 Point Stubby Flex Ratcheting Combination Wrench		

10 Pc. 12 Point Metric Stubby Flex Combination Ratcheting Wrench Set

- 72 tooth ratcheting box end needs a minimal 5° to move fasteners vs. 30° for standard wrenches
- Off-corner loading design on box end provides better grip and reduces fastener rounding
- Flexible head provides access to hard-to-reach bolts and fasteners
- Thin head and beam provide greater access in confined work areas
- Stubby beam length for when clearance is limited
- Manufactured from alloy steel for better strength and longer tool life
- Bright, full polish chrome finish easily wipes clean and resists corrosion
- Meets or exceeds ASME and ANSI specifications
- Included tray for storage and organization



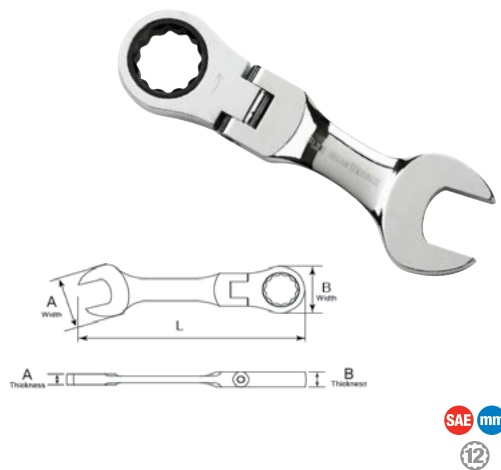
Cat. No.	Included Storage	Product Weight
9550	Tray	2.91 lb



Cat. No.	Description	Cat. No.	Description
9551	10mm 12 Point Stubby Flex Ratcheting Combination Wrench	9556	15mm 12 Point Stubby Flex Ratcheting Combination Wrench
9552	11mm 12 Point Stubby Flex Ratcheting Combination Wrench	9557D	16mm 12 Point Stubby Flex Ratcheting Combination Wrench
9553D	12mm 12 Point Stubby Flex Ratcheting Combination Wrench	9558	17mm 12 Point Stubby Flex Ratcheting Combination Wrench
9554	13mm 12 Point Stubby Flex Ratcheting Combination Wrench	9559	18mm 12 Point Stubby Flex Ratcheting Combination Wrench
9555	14mm 12 Point Stubby Flex Ratcheting Combination Wrench	9560	19mm 12 Point Stubby Flex Ratcheting Combination Wrench

12 Point Stubby Flex Combination Ratcheting Wrenches

- 72 tooth ratcheting box end needs a minimal 5° to move fasteners vs. 30° for standard wrenches
- Off-corner loading design on box end provides better grip and reduces fastener rounding
- Flexible head provides access to hard-to-reach bolts and fasteners
- Thin head and beam provide greater access in confined work areas
- Stubby beam length for when clearance is limited
- Manufactured from alloy steel for better strength and longer tool life
- Bright, full polish chrome finish easily wipes clean and resists corrosion
- Meets or exceeds ASME and ANSI specifications



Cat. No.	SAE/Metric	Fastener Size	End A Width	End A Thickness	End B Width	End B Thickness	Overall Length	Product Weight
9571	SAE	3/8 in	0.862 in	0.224 in	0.78 in	0.303 in	3.701 in	0.10 lb
9572	SAE	7/16 in	0.953 in	0.252 in	0.854 in	0.323 in	4.016 in	0.20 lb
9573	SAE	1/2 in	1.146 in	0.319 in	0.984 in	0.339 in	4.213 in	0.20 lb
9574	SAE	9/16 in	1.228 in	0.327 in	1.035 in	0.37 in	4.488 in	0.20 lb
9575	SAE	5/8 in	1.358 in	0.346 in	1.201 in	0.406 in	4.803 in	0.30 lb
9576	SAE	11/16 in	1.492 in	0.362 in	1.272 in	0.421 in	4.961 in	0.40 lb
9577	SAE	3/4 in	1.626 in	0.374 in	1.339 in	0.441 in	5.433 in	0.40 lb
9551	Metric	10 mm	0.862 in	0.224 in	0.78 in	0.303 in	3.701 in	0.11 lb
9552	Metric	11 mm	0.953 in	0.252 in	0.854 in	0.323 in	4.016 in	0.12 lb
9553D	Metric	12 mm	1.047 in	0.291 in	0.906 in	0.339 in	4.134 in	0.15 lb
9554	Metric	13 mm	1.146 in	0.319 in	0.984 in	0.339 in	4.213 in	0.17 lb
9555	Metric	14 mm	1.228 in	0.327 in	1.035 in	0.37 in	4.488 in	0.21 lb
9556	Metric	15 mm	1.327 in	0.327 in	1.13 in	0.39 in	4.646 in	0.24 lb
9557D	Metric	16 mm	1.358 in	0.346 in	1.201 in	0.406 in	4.803 in	0.27 lb
9558	Metric	17 mm	1.492 in	0.362 in	1.272 in	0.421 in	4.961 in	0.32 lb
9559	Metric	18 mm	1.583 in	0.37 in	1.307 in	0.441 in	5.118 in	0.37 lb
9560	Metric	19 mm	1.626 in	0.374 in	1.339 in	0.441 in	5.433 in	0.41 lb

9 Pc. 12 Point SAE XL X-Beam™ Flex Combination Ratcheting Wrench Set

- 72 tooth ratcheting box end needs a minimal 5° to move fasteners vs. 30° for standard wrenches
- X-Beam™ design lets you apply force to the flat side of the wrench, reducing hand fatigue
- Longer beam provides greater access to confined work areas vs. standard length wrenches
- Off-corner loading design on box end provides better grip and reduces fastener rounding
- One piece forged beam design with no weak spots for twisting
- Flexible head provides access to hard-to-reach bolts and fasteners
- Manufactured from alloy steel for better strength and longer tool life
- Bright, full polish chrome finish easily wipes clean and resists corrosion
- Included tray for storage and organization



Cat. No.	Included Storage	Product Weight
85298	Tray	3.93 lb



Cat. No.	Description	Cat. No.	Description
85270	5/16" 12 Point XL X-Beam™ Flex Head Ratcheting Combination Wrench	85278	9/16" 12 Point XL X-Beam™ Flex Head Ratcheting Combination Wrench
85271	11/32" 12 Point XL X-Beam™ Flex Head Ratcheting Combination Wrench	85280	5/8" 12 Point XL X-Beam™ Flex Head Ratcheting Combination Wrench
85272	3/8" 12 Point XL X-Beam™ Flex Head Ratcheting Combination Wrench	85282	11/16" 12 Point XL X-Beam™ Flex Head Ratcheting Combination Wrench
85274	7/16" 12 Point XL X-Beam™ Flex Head Ratcheting Combination Wrench	85284	3/4" 12 Point XL X-Beam™ Flex Head Ratcheting Combination Wrench
85276	1/2" 12 Point XL X-Beam™ Flex Head Ratcheting Combination Wrench		

12 Pc. 12 Point Metric XL X-Beam™ Flex Combination Ratcheting Wrench Set

- 72 tooth ratcheting box end needs a minimal 5° to move fasteners vs. 30° for standard wrenches
- X-Beam™ design lets you apply force to the flat side of the wrench, reducing hand fatigue
- Longer beam provides greater access to confined work areas vs. standard length wrenches
- Off-corner loading design on box end provides better grip and reduces fastener rounding
- One piece forged beam design with no weak spots for twisting
- Flexible head provides access to hard-to-reach bolts and fasteners
- Manufactured from alloy steel for better strength and longer tool life
- Bright, full polish chrome finish easily wipes clean and resists corrosion
- Included tray for storage and organization



Cat. No.	Included Storage	Product Weight
85288	Tray	5.36 lb



Cat. No.	Description	Cat. No.	Description
85258	8mm 12 Point XL X-Beam™ Flex Head Ratcheting Combination Wrench	85264	14mm 12 Point XL X-Beam™ Flex Head Ratcheting Combination Wrench
85259	9mm 12 Point XL X-Beam™ Flex Head Ratcheting Combination Wrench	85265	15mm 12 Point XL X-Beam™ Flex Head Ratcheting Combination Wrench
85260	10mm 12 Point XL X-Beam™ Flex Head Ratcheting Combination Wrench	85266	16mm 12 Point XL X-Beam™ Flex Head Ratcheting Combination Wrench
85261	11mm 12 Point XL X-Beam™ Flex Head Ratcheting Combination Wrench	85267	17mm 12 Point XL X-Beam™ Flex Head Ratcheting Combination Wrench
85262	12mm 12 Point XL X-Beam™ Flex Head Ratcheting Combination Wrench	85268	18mm 12 Point XL X-Beam™ Flex Head Ratcheting Combination Wrench
85263	13mm 12 Point XL X-Beam™ Flex Head Ratcheting Combination Wrench	85269	19mm 12 Point XL X-Beam™ Flex Head Ratcheting Combination Wrench

12 Point XL X-Beam™ Flex Combination Ratcheting Wrenches

- 72 tooth ratcheting box end needs a minimal 5° to move fasteners vs. 30° for standard wrenches
- X-Beam™ design lets you apply force to the flat side of the wrench, reducing hand fatigue
- Longer beam provides greater access to confined work areas vs. standard length wrenches
- Off-corner loading design on box end provides better grip and reduces fastener rounding
- One piece forged beam design with no weak spots for twisting
- Flexible head provides access to hard-to-reach bolts and fasteners
- Manufactured from alloy steel for better strength and longer tool life
- Bright, full polish chrome finish easily wipes clean and resists corrosion



Cat. No.	SAE/Metric	Fastener Size	End A Width	End A Thickness	End B Width	End B Thickness	Overall Length	Product Weight
85270	SAE	5/16 in	0.77 in	0.2 in	0.67 in	0.27 in	5.91 in	0.11 lb
85271	SAE	11/32 in	0.77 in	0.21 in	0.7 in	0.27 in	6.5 in	0.13 lb
85272	SAE	3/8 in	0.86 in	0.22 in	0.78 in	0.3 in	7.09 in	0.18 lb
85274	SAE	7/16 in	0.95 in	0.25 in	0.85 in	0.32 in	7.68 in	0.22 lb
85276	SAE	1/2 in	1.15 in	0.32 in	0.98 in	0.34 in	8.66 in	0.28 lb
85278	SAE	9/16 in	1.23 in	0.33 in	1.04 in	0.37 in	9.25 in	0.36 lb
85280	SAE	5/8 in	1.36 in	0.35 in	1.2 in	0.41 in	10.24 in	0.48 lb
85282	SAE	11/16 in	1.49 in	0.36 in	1.27 in	0.42 in	10.83 in	0.57 lb
85284	SAE	3/4 in	1.63 in	0.37 in	1.34 in	0.44 in	12.01 in	0.75 lb
85258	Metric	8 mm	0.77 in	0.2 in	0.67 in	0.27 in	5.91 in	0.11 lb
85259	Metric	9 mm	0.77 in	0.21 in	0.7 in	0.27 in	6.5 in	0.14 lb
85260	Metric	10 mm	0.86 in	0.22 in	0.78 in	0.3 in	7.09 in	0.17 lb
85261	Metric	11 mm	0.95 in	0.25 in	0.85 in	0.32 in	7.68 in	0.21 lb
85262	Metric	12 mm	1.05 in	0.29 in	0.91 in	0.34 in	8.15 in	0.22 lb
85263	Metric	13 mm	1.15 in	0.32 in	0.98 in	0.34 in	8.66 in	0.28 lb
85264	Metric	14 mm	1.23 in	0.33 in	1.04 in	0.37 in	9.25 in	0.36 lb
85265	Metric	15 mm	1.33 in	0.33 in	1.13 in	0.39 in	9.84 in	0.39 lb
85266	Metric	16 mm	1.36 in	0.35 in	1.2 in	0.41 in	10.24 in	0.47 lb
85267	Metric	17 mm	1.49 in	0.36 in	1.27 in	0.42 in	10.83 in	0.57 lb
85268	Metric	18 mm	1.58 in	0.37 in	1.31 in	0.44 in	11.42 in	0.62 lb
85269	Metric	19 mm	1.63 in	0.37 in	1.34 in	0.44 in	12.01 in	0.74 lb

8 Pc. 12 Point SAE XL Locking Flex Combination Ratcheting Wrench Set with Roll

- 72 tooth ratcheting box end needs a minimal 5° to move fasteners vs. 30° for standard wrenches
- Off-corner loading design on box end provides better grip and reduces fastener rounding
- Longer beam provides greater access to confined work areas vs. standard length wrenches
- Locking flexible head provides access to hard-to-reach bolts and fasteners
- Manufactured from alloy steel for better strength and longer tool life
- Bright, full polish chrome finish easily wipes clean and resists corrosion
- Meets or exceeds ASME and ANSI specifications
- Included tool roll for storage and organization



Cat. No.	Included Storage	Product Weight
85798R	Tool Roll	2.80 lb



Cat. No.	Description	Cat. No.	Description
85710	5/16" 12 Point XL Locking Flex Ratcheting Combination Wrench	85718	9/16" 12 Point XL Locking Flex Ratcheting Combination Wrench
85712	3/8" 12 Point XL Locking Flex Ratcheting Combination Wrench	85720	5/8" 12 Point XL Locking Flex Ratcheting Combination Wrench
85714D	7/16" 12 Point XL Locking Flex Ratcheting Combination Wrench	85722	11/16" 12 Point XL Locking Flex Ratcheting Combination Wrench
85716	1/2" 12 Point XL Locking Flex Ratcheting Combination Wrench	85724D	3/4" 12 Point XL Locking Flex Ratcheting Combination Wrench

8 Pc. 12 Point SAE XL Locking Flex Combination Ratcheting Wrench Set

- 72 tooth ratcheting box end needs a minimal 5° to move fasteners vs. 30° for standard wrenches
- Off-corner loading design on box end provides better grip and reduces fastener rounding
- Longer beam provides greater access to confined work areas vs. standard length wrenches
- Locking flexible head provides access to hard-to-reach bolts and fasteners
- Manufactured from alloy steel for better strength and longer tool life
- Bright, full polish chrome finish easily wipes clean and resists corrosion
- Meets or exceeds ASME and ANSI specifications
- Included rack for storage and organization



Cat. No.	Included Storage	Product Weight
85798	Wrench Rack	2.69 lb



Cat. No.	Description	Cat. No.	Description
85710	5/16" 12 Point XL Locking Flex Ratcheting Combination Wrench	85718	9/16" 12 Point XL Locking Flex Ratcheting Combination Wrench
85712	3/8" 12 Point XL Locking Flex Ratcheting Combination Wrench	85720	5/8" 12 Point XL Locking Flex Ratcheting Combination Wrench
85714D	7/16" 12 Point XL Locking Flex Ratcheting Combination Wrench	85722	11/16" 12 Point XL Locking Flex Ratcheting Combination Wrench
85716	1/2" 12 Point XL Locking Flex Ratcheting Combination Wrench	85724D	3/4" 12 Point XL Locking Flex Ratcheting Combination Wrench

12 Pc. 12 Point Metric XL Locking Flex Combination Ratcheting Wrench Set with Roll

- 72 tooth ratcheting box end needs a minimal 5° to move fasteners vs. 30° for standard wrenches
- Off-corner loading design on box end provides better grip and reduces fastener rounding
- Longer beam provides greater access to confined work areas vs. standard length wrenches
- Locking flexible head provides access to hard-to-reach bolts and fasteners
- Manufactured from alloy steel for better strength and longer tool life
- Bright, full polish chrome finish easily wipes clean and resists corrosion
- Meets or exceeds ASME and ANSI specifications
- Included tool roll for storage and organization



Cat. No.	Included Storage	Product Weight
85698R	Tool Roll	4.40 lb



Cat. No.	Description	Cat. No.	Description
85608	8mm 12 Point XL Locking Flex Ratcheting Combination Wrench	85614	14mm 12 Point XL Locking Flex Ratcheting Combination Wrench
85609	9mm 12 Point XL Locking Flex Ratcheting Combination Wrench	85615	15mm 12 Point XL Locking Flex Ratcheting Combination Wrench
85610	10mm 12 Point XL Locking Flex Ratcheting Combination Wrench	85616	16mm 12 Point XL Locking Flex Ratcheting Combination Wrench
85611	11mm 12 Point XL Locking Flex Ratcheting Combination Wrench	85617	17mm 12 Point XL Locking Flex Ratcheting Combination Wrench
85612	12mm 12 Point XL Locking Flex Ratcheting Combination Wrench	85618	18mm 12 Point XL Locking Flex Ratcheting Combination Wrench
85613	13mm 12 Point XL Locking Flex Ratcheting Combination Wrench	85619	19mm 12 Point XL Locking Flex Ratcheting Combination Wrench

12 Pc. 12 Point Metric XL Locking Flex Combination Ratcheting Wrench Set

- 72 tooth ratcheting box end needs a minimal 5° to move fasteners vs. 30° for standard wrenches
- Off-corner loading design on box end provides better grip and reduces fastener rounding
- Longer beam provides greater access to confined work areas vs. standard length wrenches
- Locking flexible head provides access to hard-to-reach bolts and fasteners
- Manufactured from alloy steel for better strength and longer tool life
- Bright, full polish chrome finish easily wipes clean and resists corrosion
- Meets or exceeds ASME and ANSI specifications
- Included rack for storage and organization



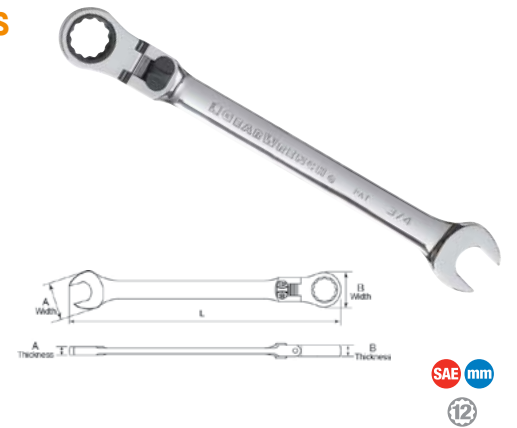
Cat. No.	Included Storage	Product Weight
85698	Wrench Rack	4.35 lb

Cat. No.	Description	Cat. No.	Description
85608	8mm 12 Point XL Locking Flex Ratcheting Combination Wrench	85614	14mm 12 Point XL Locking Flex Ratcheting Combination Wrench
85609	9mm 12 Point XL Locking Flex Ratcheting Combination Wrench	85615	15mm 12 Point XL Locking Flex Ratcheting Combination Wrench
85610	10mm 12 Point XL Locking Flex Ratcheting Combination Wrench	85616	16mm 12 Point XL Locking Flex Ratcheting Combination Wrench
85611	11mm 12 Point XL Locking Flex Ratcheting Combination Wrench	85617	17mm 12 Point XL Locking Flex Ratcheting Combination Wrench
85612	12mm 12 Point XL Locking Flex Ratcheting Combination Wrench	85618	18mm 12 Point XL Locking Flex Ratcheting Combination Wrench
85613	13mm 12 Point XL Locking Flex Ratcheting Combination Wrench	85619	19mm 12 Point XL Locking Flex Ratcheting Combination Wrench



12 Point XL Locking Flex Ratcheting Wrenches

- 72 tooth ratcheting box end needs a minimal 5° to move fasteners vs. 30° for standard wrenches
- Off-corner loading design on box end provides better grip and reduces fastener rounding
- Longer beam provides greater access to confined work areas vs. standard length wrenches
- Locking flexible head provides access to hard-to-reach bolts and fasteners
- Manufactured from alloy steel for better strength and longer tool life
- Bright, full polish chrome finish easily wipes clean and resists corrosion
- Meets or exceeds ASME and ANSI specifications



Cat. No.	SAE/Metric	Fastener Size	End A Width	End A Thickness	End B Width	End B Thickness	Overall Length	Product Weight
85710	SAE	5/16 in	0.77 in	0.98 in	0.67 in	0.27 in	5.75 in	0.13 lb
85712	SAE	3/8 in	0.86 in	1.04 in	0.78 in	0.3 in	6.73 in	0.17 lb
85714D	SAE	7/16 in	0.95 in	0.25 in	0.85 in	0.32 in	7.2 in	0.26 lb
85716	SAE	1/2 in	1.15 in	0.32 in	0.98 in	0.34 in	8.15 in	0.29 lb
85718	SAE	9/16 in	1.23 in	0.67 in	1.04 in	0.37 in	8.62 in	0.36 lb
85720	SAE	5/8 in	1.36 in	0.7 in	1.2 in	0.41 in	9.53 in	0.44 lb
85722	SAE	11/16 in	1.49 in	0.78 in	1.27 in	0.42 in	10 in	0.56 lb
85724D	SAE	3/4 in	1.63 in	0.85 in	1.34 in	0.44 in	11.02 in	0.56 lb
85608	Metric	8 mm	0.77 in	0.2 in	0.67 in	0.27 in	5.75 in	0.12 lb
85609	Metric	9 mm	0.77 in	0.21 in	0.7 in	0.27 in	6.26 in	0.14 lb
85610	Metric	10 mm	0.86 in	0.22 in	0.78 in	0.3 in	6.73 in	0.18 lb
85611	Metric	11 mm	0.95 in	0.25 in	0.85 in	0.32 in	7.2 in	0.21 lb
85612	Metric	12 mm	1.05 in	0.29 in	0.91 in	0.34 in	7.68 in	0.26 lb
85613	Metric	13 mm	1.15 in	0.32 in	0.98 in	0.34 in	8.15 in	0.29 lb
85614	Metric	14 mm	1.23 in	0.33 in	1.04 in	0.37 in	8.62 in	0.36 lb
85615	Metric	15 mm	1.33 in	0.33 in	1.13 in	0.39 in	9.09 in	0.41 lb
85616	Metric	16 mm	1.36 in	0.35 in	1.2 in	0.41 in	9.53 in	0.49 lb
85617	Metric	17 mm	1.49 in	0.36 in	1.27 in	0.42 in	10 in	0.56 lb
85618	Metric	18 mm	1.58 in	0.37 in	1.31 in	0.44 in	10.51 in	0.62 lb
85619	Metric	19 mm	1.63 in	0.37 in	1.34 in	0.44 in	11.02 in	0.72 lb

8 Pc. 12 Point SAE Open End Combination Ratcheting Wrench Set

- Open end quickly ratchet nuts and bolts without removing the wrench from the fastener
- 72 tooth ratcheting box end needs a minimal 5° to move fasteners vs. 30° for standard wrenches
- Off-corner loading design on box end provides better grip and reduces fastener rounding
- Manufactured from alloy steel for better strength and longer tool life
- Bright, full polish chrome finish easily wipes clean and resists corrosion
- Included rack for storage and organization



Cat. No.	Included Storage	Product Weight
85599	Wrench Rack	2.50 lb

Cat. No.	Description	Cat. No.	Description
85570	5/16" 12 Point Open End Ratcheting Combination Wrench	85578	9/16" 12 Point Open End Ratcheting Combination Wrench
85572	3/8" 12 Point Open End Ratcheting Combination Wrench	85580	5/8" 12 Point Open End Ratcheting Combination Wrench
85574	7/16" 12 Point Open End Ratcheting Combination Wrench	85582	11/16" 12 Point Open End Ratcheting Combination Wrench
85576	1/2" 12 Point Open End Ratcheting Combination Wrench	85584	3/4" 12 Point Open End Ratcheting Combination Wrench

12 Pc. 12 Point Metric Open End Combination Ratcheting Wrench Set

- Open end quickly ratchet nuts and bolts without removing the wrench from the fastener
- 72 tooth ratcheting box end needs a minimal 5° to move fasteners vs. 30° for standard wrenches
- Off-corner loading design on box end provides better grip and reduces fastener rounding
- Manufactured from alloy steel for better strength and longer tool life
- Bright, full polish chrome finish easily wipes clean and resists corrosion
- Included rack for storage and organization

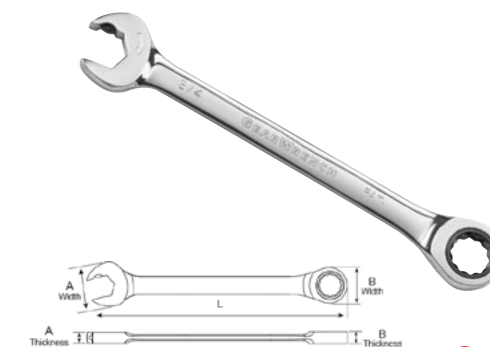


Cat. No.	Included Storage	Product Weight
85597	Wrench Rack	3.15 lb

Cat. No.	Description	Cat. No.	Description
85508	8mm 12 Point Open End Ratcheting Combination Wrench	85514D	14mm 12 Point Open End Ratcheting Combination Wrench
85509	9mm 12 Point Open End Ratcheting Combination Wrench	85515	15mm 12 Point Open End Ratcheting Combination Wrench
85510	10mm 12 Point Open End Ratcheting Combination Wrench	85516	16mm 12 Point Open End Ratcheting Combination Wrench
85511	11mm 12 Point Open End Ratcheting Combination Wrench	85517	17mm 12 Point Open End Ratcheting Combination Wrench
85512D	12mm 12 Point Open End Ratcheting Combination Wrench	85518	18mm 12 Point Open End Ratcheting Combination Wrench
85513	13mm 12 Point Open End Ratcheting Combination Wrench	85519	19mm 12 Point Open End Ratcheting Combination Wrench

12 Point Open End Combination Ratcheting Wrenches

- Open end quickly ratchet nuts and bolts without removing the wrench from the fastener
- 72 tooth ratcheting box end needs a minimal 5° to move fasteners vs. 30° for standard wrenches
- Off-corner loading design on box end provides better grip and reduces fastener rounding
- Manufactured from alloy steel for better strength and longer tool life
- Bright, full polish chrome finish easily wipes clean and resists corrosion



Cat. No.	SAE/Metric	Fastener Size	End A Width	End A Thickness	End B Width	End B Thickness	Overall Length	Product Weight
85570	SAE	5/16 in	0.658 in	0.197 in	0.625 in	0.256 in	5.508 in	0.12 lb
85572	SAE	3/8 in	0.822 in	0.22 in	0.75 in	0.287 in	6.256 in	0.17 lb
85574	SAE	7/16 in	0.905 in	0.24 in	0.811 in	0.303 in	6.508 in	0.19 lb
85576	SAE	1/2 in	1.069 in	0.303 in	0.93 in	0.339 in	7.008 in	0.25 lb
85578	SAE	9/16 in	1.152 in	0.307 in	1.02 in	0.354 in	7.504 in	0.31 lb
85580	SAE	5/8 in	1.316 in	0.346 in	1.13 in	0.39 in	8.201 in	0.43 lb
85582	SAE	11/16 in	1.399 in	0.37 in	1.201 in	0.406 in	8.878 in	0.49 lb
85584	SAE	3/4 in	1.563 in	0.386 in	1.278 in	0.441 in	9.764 in	0.58 lb
85508	Metric	8 mm	0.658 in	0.197 in	0.625 in	0.256 in	5.508 in	0.12 lb
85509	Metric	9 mm	0.741 in	0.209 in	0.689 in	0.272 in	5.882 in	0.13 lb
85510	Metric	10 mm	0.822 in	0.22 in	0.75 in	0.287 in	6.256 in	0.17 lb
85511	Metric	11 mm	0.905 in	0.24 in	0.811 in	0.303 in	6.508 in	0.21 lb
85512D	Metric	12 mm	0.988 in	0.26 in	0.855 in	0.323 in	6.756 in	0.24 lb
85513	Metric	13 mm	1.069 in	0.303 in	0.93 in	0.339 in	7.008 in	0.26 lb
85514D	Metric	14 mm	1.152 in	0.307 in	1.02 in	0.354 in	7.504 in	0.31 lb
85515	Metric	15 mm	1.233 in	0.315 in	1.07 in	0.37 in	7.854 in	0.35 lb
85516	Metric	16 mm	1.316 in	0.346 in	1.13 in	0.39 in	8.201 in	0.40 lb
85517	Metric	17 mm	1.399 in	0.37 in	1.201 in	0.406 in	8.878 in	0.49 lb
85518	Metric	18 mm	1.48 in	0.37 in	1.239 in	0.421 in	9.315 in	0.53 lb
85519	Metric	19 mm	1.563 in	0.386 in	1.278 in	0.441 in	9.764 in	0.50 lb

8 Pc. 12 Point SAE Indexing Combination Ratcheting Wrench Set

- 13 locking positions across 180° of movement allow you to reach confined work areas
- 72 tooth ratcheting box end needs a minimal 5° to move fasteners vs. 30° for standard wrenches
- Off-corner loading design on box end provides better grip and reduces fastener rounding
- Manufactured from alloy steel for better strength and longer tool life
- Bright, full polish chrome finish easily wipes clean and resists corrosion
- Included rack for storage and organization



Cat. No.	Included Storage	Product Weight
85498	Wrench Rack	2.98 lb

Cat. No.	Description	Cat. No.	Description
85450	5/16" 12 Point Indexing Ratcheting Combination Wrench	85458	9/16" 12 Point Indexing Ratcheting Combination Wrench
85452	3/8" 12 Point Indexing Ratcheting Combination Wrench	85460	5/8" 12 Point Indexing Ratcheting Combination Wrench
85454	7/16" 12 Point Indexing Ratcheting Combination Wrench	85462	11/16" 12 Point Indexing Ratcheting Combination Wrench
85456	1/2" 12 Point Indexing Ratcheting Combination Wrench	85464	3/4" 12 Point Indexing Ratcheting Combination Wrench

12 Pc. 12 Point Metric Indexing Combination Ratcheting Wrench Set

- 13 locking positions across 180° of movement allow you to reach confined work areas
- 72 tooth ratcheting box end needs a minimal 5° to move fasteners vs. 30° for standard wrenches
- Off-corner loading design on box end provides better grip and reduces fastener rounding
- Manufactured from alloy steel for better strength and longer tool life
- Bright, full polish chrome finish easily wipes clean and resists corrosion
- Included rack for storage and organization

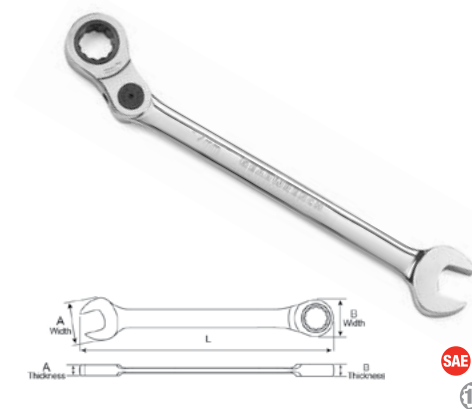


Cat. No.	Included Storage	Product Weight
85488	Wrench Rack	4.39 lb

Cat. No.	Description	Cat. No.	Description
85418	8mm 12 Point Indexing Ratcheting Combination Wrench	85444	14mm 12 Point Indexing Ratcheting Combination Wrench
85439D	9mm 12 Point Indexing Ratcheting Combination Wrench	85445	15mm 12 Point Indexing Ratcheting Combination Wrench
85440D	10mm 12 Point Indexing Ratcheting Combination Wrench	85446	16mm 12 Point Indexing Ratcheting Combination Wrench
85441D	11mm 12 Point Indexing Ratcheting Combination Wrench	85447	17mm 12 Point Indexing Ratcheting Combination Wrench
85442	12mm 12 Point Indexing Ratcheting Combination Wrench	85448	18mm 12 Point Indexing Ratcheting Combination Wrench
85443	13mm 12 Point Indexing Ratcheting Combination Wrench	85449	19mm 12 Point Indexing Ratcheting Combination Wrench

12 Point Indexing Combination Ratcheting Wrenches

- 13 locking positions across 180° of movement allow you to reach confined work areas
- 72 tooth ratcheting box end needs a minimal 5° to move fasteners vs. 30° for standard wrenches
- Off-corner loading design on box end provides better grip and reduces fastener rounding
- Manufactured from alloy steel for better strength and longer tool life
- Bright, full polish chrome finish easily wipes clean and resists corrosion



Cat. No.	SAE/Metric	Fastener Size	End A Width	End A Thickness	End B Width	End B Thickness	Overall Length	Product Weight
85450	SAE	5/16 in	0.709 in	0.197 in	0.535 in	0.127 in	4.949 in	0.13 lb
85452	SAE	3/8 in	0.906 in	0.22 in	0.574 in	0.127 in	5.909 in	0.20 lb
85454	SAE	7/16 in	0.984 in	0.24 in	0.618 in	0.127 in	6.417 in	0.22 lb
85456	SAE	1/2 in	1.102 in	0.303 in	0.685 in	0.171 in	7.217 in	0.32 lb
85458	SAE	9/16 in	1.26 in	0.307 in	0.728 in	0.171 in	7.665 in	0.38 lb
85460	SAE	5/8 in	1.378 in	0.346 in	0.813 in	0.197 in	8.508 in	0.52 lb
85462	SAE	11/16 in	1.496 in	0.37 in	0.844 in	0.197 in	9.016 in	0.62 lb
85464	SAE	3/4 in	1.654 in	0.386 in	0.883 in	0.197 in	10.122 in	0.72 lb
85418	Metric	8 mm	0.709 in	0.197 in	0.535 in	0.127 in	4.949 in	0.13 lb
85439D	Metric	9 mm	0.787 in	0.209 in	0.543 in	0.127 in	5.394 in	0.15 lb
85440D	Metric	10 mm	0.906 in	0.22 in	0.574 in	0.127 in	5.909 in	0.19 lb
85441D	Metric	11 mm	0.984 in	0.24 in	0.618 in	0.127 in	6.417 in	0.23 lb
85442	Metric	12 mm	1.063 in	0.26 in	0.66 in	0.171 in	6.783 in	0.27 lb
85443	Metric	13 mm	1.102 in	0.303 in	0.685 in	0.171 in	7.217 in	0.31 lb
85444	Metric	14 mm	1.26 in	0.307 in	0.728 in	0.171 in	7.665 in	0.38 lb
85445	Metric	15 mm	1.299 in	0.315 in	0.766 in	0.171 in	8.185 in	0.43 lb
85446	Metric	16 mm	1.378 in	0.346 in	0.813 in	0.197 in	8.508 in	0.52 lb
85447	Metric	17 mm	1.496 in	0.37 in	0.844 in	0.197 in	9.016 in	0.60 lb
85448	Metric	18 mm	1.535 in	0.37 in	0.851 in	0.197 in	9.555 in	0.65 lb
85449	Metric	19 mm	1.654 in	0.386 in	0.883 in	0.197 in	10.122 in	0.70 lb

13 Pc. 12 Point SAE XL GearBox™ Double Box Ratcheting Wrench Set

- 72 tooth ratcheting box end needs a minimal 5° to move fasteners vs. 30° for standard wrenches
- Off-corner loading design on box end provides better grip and reduces fastener rounding
- Size conveniently stamped on both ends of the beam for quick identification
- 0° offset on non-ratcheting end for breaking loose stubborn fasteners
- Manufactured from alloy steel for better strength and longer tool life
- Bright, full polish chrome finish easily wipes clean and resists corrosion
- Included tray for storage and organization



Cat. No.	Included Storage	Product Weight
85999	Tray	10.56 lb



Cat. No.	Description	Cat. No.	Description
85950	5/16" 12 Point XL GearBox™ Double Box Ratcheting Wrench	85962	11/16" 12 Point XL GearBox™ Double Box Ratcheting Wrench
85951	11/32" 12 Point XL GearBox™ Double Box Ratcheting Wrench	85964	3/4" 12 Point XL GearBox™ Double Box Ratcheting Wrench
85952	3/8" 12 Point XL GearBox™ Double Box Ratcheting Wrench	85966	13/16" 12 Point XL GearBox™ Double Box Ratcheting Wrench
85954	7/16" 12 Point XL GearBox™ Double Box Ratcheting Wrench	85968	7/8" 12 Point XL GearBox™ Double Box Ratcheting Wrench
85956	1/2" 12 Point XL GearBox™ Double Box Ratcheting Wrench	85970	15/16" 12 Point XL GearBox™ Double Box Ratcheting Wrench
85958	9/16" 12 Point XL GearBox™ Double Box Ratcheting Wrench	85972	1" 12 Point XL GearBox™ Double Box Ratcheting Wrench
85960	5/8" 12 Point XL GearBox™ Double Box Ratcheting Wrench		

9 Pc. 12 Point SAE XL GearBox™ Double Box Ratcheting Wrench Set

- 72 tooth ratcheting box end needs a minimal 5° to move fasteners vs. 30° for standard wrenches
- Off-corner loading design on box end provides better grip and reduces fastener rounding
- Size conveniently stamped on both ends of the beam for quick identification
- 0° offset on non-ratcheting end for breaking loose stubborn fasteners
- Manufactured from alloy steel for better strength and longer tool life
- Bright, full polish chrome finish easily wipes clean and resists corrosion
- Included tray for storage and organization



Cat. No.	Included Storage	Product Weight
85998	Tray	4.75 lb



Cat. No.	Description	Cat. No.	Description
85950	5/16" 12 Point XL GearBox™ Double Box Ratcheting Wrench	85958	9/16" 12 Point XL GearBox™ Double Box Ratcheting Wrench
85951	11/32" 12 Point XL GearBox™ Double Box Ratcheting Wrench	85960	5/8" 12 Point XL GearBox™ Double Box Ratcheting Wrench
85952	3/8" 12 Point XL GearBox™ Double Box Ratcheting Wrench	85962	11/16" 12 Point XL GearBox™ Double Box Ratcheting Wrench
85954	7/16" 12 Point XL GearBox™ Double Box Ratcheting Wrench	85964	3/4" 12 Point XL GearBox™ Double Box Ratcheting Wrench
85956	1/2" 12 Point XL GearBox™ Double Box Ratcheting Wrench		

4 Pc. 12 Point SAE XL GearBox™ Double Box Ratcheting Wrench Set

- 72 tooth ratcheting box end needs a minimal 5° to move fasteners vs. 30° for standard wrenches
- Off-corner loading design on box end provides better grip and reduces fastener rounding
- Size conveniently stamped on both ends of the beam for quick identification
- 0° offset on non-ratcheting end for breaking loose stubborn fasteners
- Manufactured from alloy steel for better strength and longer tool life
- Bright, full polish chrome finish easily wipes clean and resists corrosion
- Included tray for storage and organization



Cat. No.	Included Storage	Product Weight
85996	Tray	3.38 lb



Cat. No.	Description	Cat. No.	Description
85966	13/16" 12 Point XL GearBox™ Double Box Ratcheting Wrench	85970	15/16" 12 Point XL GearBox™ Double Box Ratcheting Wrench
85968	7/8" 12 Point XL GearBox™ Double Box Ratcheting Wrench	85972	1" 12 Point XL GearBox™ Double Box Ratcheting Wrench

17 Pc. 12 Point Metric XL GearBox™ Double Box Ratcheting Wrench Set

- 72 tooth ratcheting box end needs a minimal 5° to move fasteners vs. 30° for standard wrenches
- Off-corner loading design on box end provides better grip and reduces fastener rounding
- Size conveniently stamped on both ends of the beam for quick identification
- 0° offset on non-ratcheting end for breaking loose stubborn fasteners
- Manufactured from alloy steel for better strength and longer tool life
- Bright, full polish chrome finish easily wipes clean and resists corrosion
- Included tray for storage and organization



Cat. No.	Included Storage	Product Weight
85989	Tray	13.10 lb



Cat. No.	Description	Cat. No.	Description
85908	8mm 12 Point XL GearBox™ Double Box Ratcheting Wrench	85917	17mm 12 Point XL GearBox™ Double Box Ratcheting Wrench
85909	9mm 12 Point XL GearBox™ Double Box Ratcheting Wrench	85918	18mm 12 Point XL GearBox™ Double Box Ratcheting Wrench
85910	10mm 12 Point XL GearBox™ Double Box Ratcheting Wrench	85919	19mm 12 Point XL GearBox™ Double Box Ratcheting Wrench
85911	11mm 12 Point XL GearBox™ Double Box Ratcheting Wrench	85920	20mm 12 Point XL GearBox™ Double Box Ratcheting Wrench
85912	12mm 12 Point XL GearBox™ Double Box Ratcheting Wrench	85921	21mm 12 Point XL GearBox™ Double Box Ratcheting Wrench
85913	13mm 12 Point XL GearBox™ Double Box Ratcheting Wrench	85922	22mm 12 Point XL GearBox™ Double Box Ratcheting Wrench
85914	14mm 12 Point XL GearBox™ Double Box Ratcheting Wrench	85924	24mm 12 Point XL GearBox™ Double Box Ratcheting Wrench
85915	15mm 12 Point XL GearBox™ Double Box Ratcheting Wrench	85925	25mm 12 Point XL GearBox™ Double Box Ratcheting Wrench
85916	16mm 12 Point XL GearBox™ Double Box Ratcheting Wrench		

12 Pc. 12 Point Metric XL GearBox™ Double Box Ratcheting Wrench Set

- 72 tooth ratcheting box end needs a minimal 5° to move fasteners vs. 30° for standard wrenches
- Off-corner loading design on box end provides better grip and reduces fastener rounding
- Size conveniently stamped on both ends of the beam for quick identification
- 0° offset on non-ratcheting end for breaking loose stubborn fasteners
- Manufactured from alloy steel for better strength and longer tool life
- Bright, full polish chrome finish easily wipes clean and resists corrosion
- Included tray for storage and organization



Cat. No.	Included Storage	Product Weight
85988	Tray	6.38 lb



Cat. No.	Description	Cat. No.	Description
85908	8mm 12 Point XL GearBox™ Double Box Ratcheting Wrench	85914	14mm 12 Point XL GearBox™ Double Box Ratcheting Wrench
85909	9mm 12 Point XL GearBox™ Double Box Ratcheting Wrench	85915	15mm 12 Point XL GearBox™ Double Box Ratcheting Wrench
85910	10mm 12 Point XL GearBox™ Double Box Ratcheting Wrench	85916	16mm 12 Point XL GearBox™ Double Box Ratcheting Wrench
85911	11mm 12 Point XL GearBox™ Double Box Ratcheting Wrench	85917	17mm 12 Point XL GearBox™ Double Box Ratcheting Wrench
85912	12mm 12 Point XL GearBox™ Double Box Ratcheting Wrench	85918	18mm 12 Point XL GearBox™ Double Box Ratcheting Wrench
85913	13mm 12 Point XL GearBox™ Double Box Ratcheting Wrench	85919	19mm 12 Point XL GearBox™ Double Box Ratcheting Wrench

5 Pc. 12 Point Metric XL GearBox™ Double Box Ratcheting Wrench Set

- 72 tooth ratcheting box end needs a minimal 5° to move fasteners vs. 30° for standard wrenches
- Off-corner loading design on box end provides better grip and reduces fastener rounding
- Size conveniently stamped on both ends of the beam for quick identification
- 0° offset on non-ratcheting end for breaking loose stubborn fasteners
- Manufactured from alloy steel for better strength and longer tool life
- Bright, full polish chrome finish easily wipes clean and resists corrosion
- Included tray for storage and organization



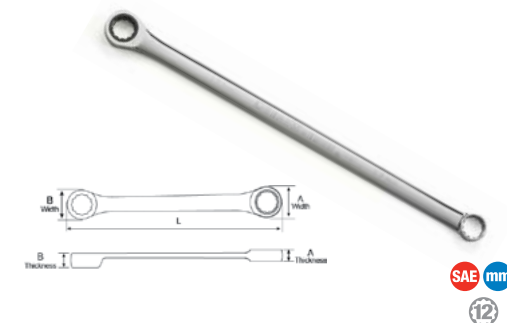
Cat. No.	Included Storage	Product Weight
85987	Tray	7.84 lb



Cat. No.	Description	Cat. No.	Description
85920	20mm 12 Point XL GearBox™ Double Box Ratcheting Wrench	85924	24mm 12 Point XL GearBox™ Double Box Ratcheting Wrench
85921	21mm 12 Point XL GearBox™ Double Box Ratcheting Wrench	85925	25mm 12 Point XL GearBox™ Double Box Ratcheting Wrench
85922	22mm 12 Point XL GearBox™ Double Box Ratcheting Wrench		

12 Point XL GearBox™ Double Box Ratcheting Wrenches

- 72 tooth ratcheting box end needs a minimal 5° to move fasteners vs. 30° for standard wrenches
- Off-corner loading design on box end provides better grip and reduces fastener rounding
- Size conveniently stamped on both ends of the beam for quick identification
- 0° offset on non-ratcheting end for breaking loose stubborn fasteners
- Manufactured from alloy steel for better strength and longer tool life
- Bright, full polish chrome finish easily wipes clean and resists corrosion



Cat. No.	SAE/Metric	Fastener Size	End A Width	End A Thickness	End B Width	End B Thickness	Overall Length	Product Weight
85950	SAE	5/16 in	0.67 in	0.27 in	0.46 in	0.24 in	8.71 in	0.13 lb
85951	SAE	11/32 in	0.7 in	0.27 in	0.52 in	0.26 in	8.91 in	0.13 lb
85952	SAE	3/8 in	0.78 in	0.3 in	0.57 in	0.27 in	9.5 in	0.17 lb
85954	SAE	7/16 in	0.85 in	0.32 in	0.62 in	0.31 in	9.89 in	0.20 lb
85956	SAE	1/2 in	0.98 in	0.34 in	0.74 in	0.35 in	11.31 in	0.26 lb
85958	SAE	9/16 in	1.04 in	0.37 in	0.8 in	0.39 in	12.02 in	0.38 lb
85960	SAE	5/8 in	1.2 in	0.41 in	0.9 in	0.43 in	13.71 in	0.50 lb
85962	SAE	11/16 in	1.27 in	0.42 in	0.94 in	0.43 in	14.7 in	0.67 lb
85964	SAE	3/4 in	1.34 in	0.44 in	1.04 in	0.47 in	15.6 in	0.77 lb
85966	SAE	13/16 in	1.54 in	0.51 in	1.18 in	0.57 in	16.54 in	1.42 lb
85968	SAE	7/8 in	1.54 in	0.51 in	1.22 in	0.57 in	17.01 in	2.07 lb
85970	SAE	15/16 in	1.75 in	0.57 in	1.34 in	0.59 in	18.03 in	2.71 lb
85972	SAE	1 in	1.75 in	0.57 in	1.42 in	0.59 in	18.5 in	3.36 lb
85908	Metric	8 mm	0.67 in	0.27 in	0.46 in	0.24 in	8.71 in	0.13 lb
85909	Metric	9 mm	0.7 in	0.27 in	0.52 in	0.26 in	8.91 in	0.13 lb
85910	Metric	10 mm	0.78 in	0.3 in	0.57 in	0.27 in	9.5 in	0.17 lb
85911	Metric	11 mm	0.85 in	0.32 in	0.62 in	0.31 in	9.89 in	0.20 lb
85912	Metric	12 mm	0.91 in	0.34 in	0.68 in	0.33 in	10.52 in	0.26 lb
85913	Metric	13 mm	0.98 in	0.34 in	0.74 in	0.35 in	11.31 in	0.33 lb
85914	Metric	14 mm	1.04 in	0.37 in	0.8 in	0.39 in	12.02 in	0.38 lb
85915	Metric	15 mm	1.13 in	0.39 in	0.86 in	0.43 in	12.72 in	0.47 lb
85916	Metric	16 mm	1.2 in	0.41 in	0.9 in	0.43 in	13.71 in	0.50 lb
85917	Metric	17 mm	1.27 in	0.42 in	0.94 in	0.43 in	14.7 in	0.67 lb
85918	Metric	18 mm	1.31 in	0.44 in	0.98 in	0.45 in	15.13 in	0.70 lb
85919	Metric	19 mm	1.34 in	0.44 in	1.04 in	0.47 in	15.6 in	0.77 lb
85920	Metric	20 mm	1.54 in	0.51 in	1.14 in	0.52 in	15.98 in	1.42 lb
85921	Metric	21 mm	1.54 in	0.51 in	1.18 in	0.57 in	16.54 in	2.07 lb
85922	Metric	22 mm	1.54 in	0.51 in	1.22 in	0.57 in	17.01 in	2.71 lb
85924	Metric	24 mm	1.75 in	0.57 in	1.34 in	0.59 in	18.03 in	3.36 lb
85925	Metric	25 mm	1.75 in	0.57 in	1.42 in	0.59 in	18.5 in	4.01 lb

10 Pc. 120XP™ Universal Spline SAE XL Flex GearBox Ratcheting Wrench Set



- 120XP™ wrenches have two double stacked 60-tooth pawls (120 positions) providing a 3° swing arc so you can turn fasteners in tighter confines
- Universal spline drive fits 12-point, 6-point, rounded 6-point, spline, Eternal Torx® and square fasteners
- XL beam design is up to 25% longer than standard wrenches for improved reach, leverage, and torque
- Dual-direction off-corner loading on open end for better grip and reduced fastener rounding
- Highly visible, recessed size markings are color coded for easy identification
- Manufactured from alloy steel for better strength and longer tool life
- Flexible head provides access to hard-to-reach bolts and fasteners
- 0° offset on non-ratcheting end for breaking loose stubborn fasteners
- Bright, full polish chrome finish easily wipes clean and resists rust and corrosion
- Included tray for storage and organization



Cat. No.	Included Storage	Product Weight
86142	Tray	7.115 lb

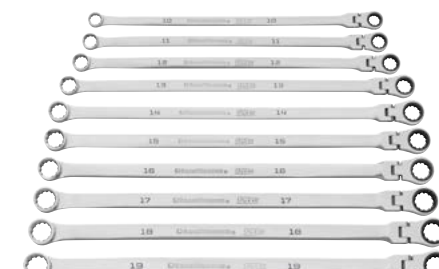


Cat. No.	Description	Cat. No.	Description
86128	1/4" 120XP™ Universal Spline XL GearBox™ Flex Head Ratcheting Wrench	86133	1/2" 120XP™ Universal Spline XL GearBox™ Flex Head Ratcheting Wrench
86129	5/16" 120XP™ Universal Spline XL GearBox™ Flex Head Ratcheting Wrench	86134	9/16" 120XP™ Universal Spline XL GearBox™ Flex Head Ratcheting Wrench
86130	11/32" 120XP™ Universal Spline XL GearBox™ Flex Head Ratcheting Wrench	86135	5/8" 120XP™ Universal Spline XL GearBox™ Flex Head Ratcheting Wrench
86131	3/8" 120XP™ Universal Spline XL GearBox™ Flex Head Ratcheting Wrench	86136	11/16" 120XP™ Universal Spline XL GearBox™ Flex Head Ratcheting Wrench
86132	7/16" 120XP™ Universal Spline XL GearBox™ Flex Head Ratcheting Wrench	86137	3/4" 120XP™ Universal Spline XL GearBox™ Flex Head Ratcheting Wrench

10 Pc. 120XP™ Universal Spline Metric XL Flex GearBox Ratcheting Wrench Set



- 120XP™ wrenches have two double stacked 60-tooth pawls (120 positions) providing a 3° swing arc so you can turn fasteners in tighter confines
- Universal spline drive fits 12-point, 6-point, rounded 6-point, spline, Eternal Torx® and square fasteners
- XL beam design is up to 25% longer than standard wrenches for improved reach, leverage, and torque
- Dual-direction off-corner loading on open end for better grip and reduced fastener rounding
- Highly visible, recessed size markings are color coded for easy identification
- Manufactured from alloy steel for better strength and longer tool life
- Flexible head provides access to hard-to-reach bolts and fasteners
- 0° offset on non-ratcheting end for breaking loose stubborn fasteners
- Bright, full polish chrome finish easily wipes clean and resists rust and corrosion
- Included tray for storage and organization



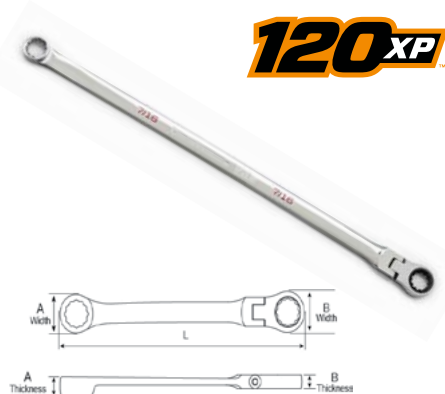
Cat. No.	Included Storage	Product Weight
86126	Tray	8.760 lb



Cat. No.	Description	Cat. No.	Description
86110	10mm 120XP™ Universal Spline XL GearBox™ Flex Head Ratcheting Wrench	86115	15mm 120XP™ Universal Spline XL GearBox™ Flex Head Ratcheting Wrench
86111	11mm 120XP™ Universal Spline XL GearBox™ Flex Head Ratcheting Wrench	86116	16mm 120XP™ Universal Spline XL GearBox™ Flex Head Ratcheting Wrench
86112	12mm 120XP™ Universal Spline XL GearBox™ Flex Head Ratcheting Wrench	86117	17mm 120XP™ Universal Spline XL GearBox™ Flex Head Ratcheting Wrench
86113	13mm 120XP™ Universal Spline XL GearBox™ Flex Head Ratcheting Wrench	86118	18mm 120XP™ Universal Spline XL GearBox™ Flex Head Ratcheting Wrench
86114	14mm 120XP™ Universal Spline XL GearBox™ Flex Head Ratcheting Wrench	86119	19mm 120XP™ Universal Spline XL GearBox™ Flex Head Ratcheting Wrench

120XP™ Universal Spline XL Flex GearBox™ Ratcheting Wrenches

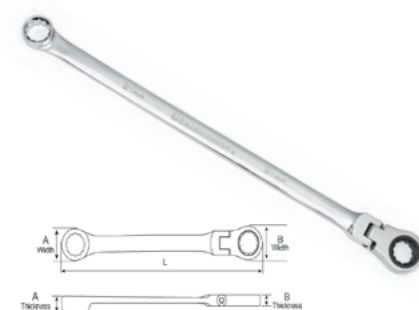
- 120XP™ wrenches have two double stacked 60-tooth pawls (120 positions) providing a 3° swing arc so you can turn fasteners in tighter confines
- Universal spline drive fits 12-point, 6-point, rounded 6-point, spline, Eternal Torx® and square fasteners
- XL beam design is up to 25% longer than standard wrenches for improved reach, leverage, and torque
- Dual-direction off-corner loading on open end for better grip and reduced fastener rounding
- Highly visible, recessed size markings are color coded for easy identification
- Manufactured from alloy steel for better strength and longer tool life
- Flexible head provides access to hard-to-reach bolts and fasteners
- 0° offset on non-ratcheting end for breaking loose stubborn fasteners
- Bright, full polish chrome finish easily wipes clean and resists corrosion



Cat. No.	SAE/Metric	Fastener Size	End A Width	End A Thickness	End B Width	End B Thickness	Overall Length	Product Weight
86128	SAE	1/4 in	0.45 in	0.22 in	0.61 in	0.27 in	10.203 in	0.176 lb
86129	SAE	5/16 in	0.5 in	0.24 in	0.67 in	0.27 in	11.203 in	0.100 lb
86130	SAE	11/32 in	0.57 in	0.26 in	0.74 in	0.27 in	11.625 in	0.209 lb
86131	SAE	3/8 in	0.64 in	0.27 in	0.81 in	0.29 in	12.406 in	0.276 lb
86132	SAE	7/16 in	0.7 in	0.31 in	0.87 in	0.3 in	12.718 in	0.331 lb
86133	SAE	1/2 in	0.8 in	0.35 in	1 in	0.34 in	15 in	0.535 lb
86134	SAE	9/16 in	0.91 in	0.39 in	1.1 in	0.37 in	15.718 in	0.584 lb
86135	SAE	5/8 in	0.98 in	0.43 in	1.22 in	0.41 in	16.7 in	0.075 lb
86136	SAE	11/16 in	1.08 in	0.43 in	1.24 in	0.42 in	17.109 in	0.871 lb
86137	SAE	3/4 in	1.17 in	0.47 in	1.39 in	0.44 in	18.109 in	1.058 lb
86108	Metric	8 mm	0.5 in	0.24 in	.67 in	.27 in	11.2 in	0.176 lb
86109	Metric	9 mm	0.57 in	0.26 in	.74 in	.27 in	11.6 in	0.209 lb
86110	Metric	10 mm	0.64 in	0.27 in	.81 in	.29 in	12.4 in	0.295 lb
86111	Metric	11 mm	0.7 in	0.31 in	.87 in	.3 in	12.9 in	0.330 lb
86112	Metric	12 mm	0.76 in	0.33 in	.92 in	.32 in	13.8 in	0.475 lb
86113	Metric	13 mm	0.8 in	0.35 in	1 in	.34 in	15 in	0.510 lb
86114	Metric	14 mm	0.91 in	0.39 in	1.1 in	.37 in	15.9 in	0.584 lb
86115	Metric	15 mm	0.95 in	0.43 in	1.15 in	.39 in	16.3 in	0.639 lb
86116	Metric	16 mm	0.98 in	0.43 in	1.22 in	.41 in	16.7 in	0.745 lb
86117	Metric	17 mm	1.08 in	0.43 in	1.24 in	.42 in	17.1 in	0.871 lb
86118	Metric	18 mm	1.13 in	0.45 in	1.28 in	.44 in	17.7 in	0.959 lb
86119	Metric	19 mm	1.17 in	0.47 in	1.39 in	.44 in	18.109 in	1.058 lb

12 Point XL Flex GearBox™ Ratcheting Wrenches

- 72 tooth ratcheting box end needs a minimal 5° to move fasteners vs. 30° for standard wrenches
- Off-corner loading design on box ends provide better grip and reduces fastener rounding
- Longer beam provides greater access to confined work areas vs. standard length wrenches
- Flexible head provides access to hard-to-reach bolts and fasteners
- Size conveniently stamped on both ends of the beam for quick identification
- Manufactured from alloy steel for better strength and longer tool life
- Bright, full polish chrome finish easily wipes clean and resists rust and corrosion



Cat. No.	SAE/Metric	Fastener Size	End A Width	End A Thickness	End B Width	End B Thickness	Overall Length	Product Weight
86021	Metric	21 mm	1.22 in	.57 in	1.59 in	.51 in	18.7	1.100 lb
86022	Metric	22 mm	1.22 in	.57 in	1.59 in	.51 in	18.7	1.285 lb
86024	Metric	24 mm	1.33 in	.59 in	1.85 in	.57 in	19.2	1.510 lb

13 Pc. 12 Point SAE QuadBox™ Double Box Ratcheting Wrench Set

- QuadBox™ design saves weight in your toolbox by combining 4 sizes on one wrench
- 72 tooth ratcheting box end needs a minimal 5° to move fasteners vs. 30° for standard wrenches
- Off-corner loading design on box end provides better grip and reduces fastener rounding
- Flush mounted reversing levers allow you to change direction without removing the wrench
- Manufactured from alloy steel for better strength and longer tool life
- Bright, full polish chrome finish easily wipes clean and resists corrosion
- Set includes: 1/4" Bit Holder, Phillips® Bits #1 #2 #3, Slotted Bits 1/4" 5/32" 7/32", Torx® Bits T15 T20 T25 T27
- Wrench Sizes: 5/16" x 3/8" 7/16" x 1/2" 9/16" x 5/8" 11/16" x 3/4"



Cat. No.	Included Storage	Product Weight
85200	Bit Holder	0.85 lb



Cat. No.	Description	Cat. No.	Description
85201	QuadBox™ 12 Point Reversible Ratcheting Wrench 5/16" x 3/8" & 7/16" x 1/2"	-	5/32" Slotted Bit
85202D	QuadBox™ 12 Point Reversible Ratcheting Wrench 9/16" x 5/8" & 11/16" x 3/4"	-	7/32" Slotted Bit
-	1/4" Bit Holder	-	T15 Torx® Bit
-	#1 Phillips® Bit	-	T20 Torx® Bit
-	#2 Phillips® Bit	-	T25 Torx® Bit
-	#3 Phillips® Bit	-	T27 Torx® Bit
-	1/8" Slotted Bit	-	

3 Pc. 12 Point SAE QuadBox™ Double Box Ratcheting Wrench Set

- QuadBox™ design saves weight in your toolbox by combining 4 sizes on one wrench
- 72 tooth ratcheting box end needs a minimal 5° to move fasteners vs. 30° for standard wrenches
- Off-corner loading design on box end provides better grip and reduces fastener rounding
- Flush mounted reversing levers allow you to change direction without removing the wrench
- Manufactured from alloy steel for better strength and longer tool life
- Bright, full polish chrome finish easily wipes clean and resists corrosion



Cat. No.	Included Storage	Product Weight
85204	None	2.02 lb



Cat. No.	Description
85201	QuadBox™ 12 Point Reversible Ratcheting Wrench 5/16" x 3/8" & 7/16" x 1/2"
85202D	QuadBox™ 12 Point Reversible Ratcheting Wrench 9/16" x 5/8" & 11/16" x 3/4"
85203	QuadBox™ 12 Point Reversible Ratcheting Wrench 13/16" x 7/8" & 15/16" x 1"

2 Pc. 12 Point SAE QuadBox® Double Box Ratcheting Wrench Set

- QuadBox™ design saves weight in your toolbox by combining 4 sizes on one wrench
- 72 tooth ratcheting box end needs a minimal 5° to move fasteners vs. 30° for standard wrenches
- Off-corner loading design on box end provides better grip and reduces fastener rounding
- Flush mounted reversing levers allow you to change direction without removing the wrench
- Manufactured from alloy steel for better strength and longer tool life
- Bright, full polish chrome finish easily wipes clean and resists corrosion



Cat. No.	Included Storage	Product Weight
85900	None	0.8 lb



Cat. No.	Description
85201	QuadBox™ 12 Point Reversible Ratcheting Wrench 5/16" x 3/8" & 7/16" x 1/2"
85202D	QuadBox™ 12 Point Reversible Ratcheting Wrench 9/16" x 5/8" & 11/16" x 3/4"

13 Pc. 12 Point Metric QuadBox™ Double Box Ratcheting Wrench Set

- QuadBox™ design saves weight in your toolbox by combining 4 sizes on one wrench
- 72 tooth ratcheting box end needs a minimal 5° to move fasteners vs. 30° for standard wrenches
- Off-corner loading design on box end provides better grip and reduces fastener rounding
- Flush mounted reversing levers allow you to change direction without removing the wrench
- Manufactured from alloy steel for better strength and longer tool life
- Bright, full polish chrome finish easily wipes clean and resists corrosion
- Set includes: 1/4" Bit Holder, Phillips® Bits #1 #2 #3, Slotted Bits 1/4" 5/32" 7/32", Torx® Bits T15 T20 T25 T27
- Wrench sizes: 8mm x 10mm, 12mm x 13mm, 16mm x 17mm, 18mm x 19mm



Cat. No.	Included Storage	Product Weight
85210D	Bit Holder	0.90 lb



Cat. No.	Description	Cat. No.	Description
85211	QuadBox™ 12 Point Reversible Ratcheting Wrench 8mm x 10mm & 12mm x 13mm	-	5/32" Slotted Bit
85212	QuadBox™ 12 Point Reversible Ratcheting Wrench 16mm x 17mm & 18mm x 19mm	-	7/32" Slotted Bit
-	1/4" Bit Holder	-	T15 Torx® Bit
-	#1 Phillips® Bit	-	T20 Torx® Bit
-	#2 Phillips® Bit	-	T25 Torx® Bit
-	#3 Phillips® Bit	-	T27 Torx® Bit
-	1/8" Slotted Bit	-	

4 Pc. 12 Point Metric QuadBox™ Double Box Ratcheting Wrench Set

- QuadBox™ design saves weight in your toolbox by combining 4 sizes on one wrench
- 72 tooth ratcheting box end needs a minimal 5° to move fasteners vs. 30° for standard wrenches
- Off-corner loading design on box end provides better grip and reduces fastener rounding
- Flush mounted reversing levers allow you to change direction without removing the wrench
- Manufactured from alloy steel for better strength and longer tool life
- Bright, full polish chrome finish easily wipes clean and resists corrosion



Cat. No.	Included Storage	Product Weight
85215	None	2.25 lb



Cat. No.	Description	Cat. No.	Description
85211	QuadBox™ 12 Pt Reversible Ratcheting Wrench 8mmx10mm & 12mmx13mm	85212	QuadBox™ 12 Pt Reversible Ratcheting Wrench 16mmx17mm & 18mmx19mm
85213	QuadBox™ 12 Point Reversible Ratcheting Wrench 9mmx11mm & 14mmx15mm	85214	QuadBox™ 12 Pt Reversible Ratcheting Wrench 20mmx21mm & 22mmx24mm

2 Pc. 12 Point Metric QuadBox™ Double Box Ratcheting Wrench Set

- QuadBox™ design saves weight in your toolbox by combining 4 sizes on one wrench
- 72 tooth ratcheting box end needs a minimal 5° to move fasteners vs. 30° for standard wrenches
- Off-corner loading design on box end provides better grip and reduces fastener rounding
- Flush mounted reversing levers allow you to change direction without removing the wrench
- Manufactured from alloy steel for better strength and longer tool life
- Bright, full polish chrome finish easily wipes clean and resists corrosion

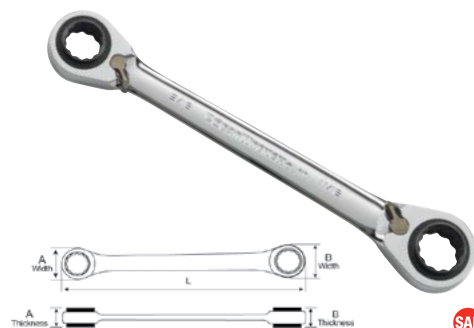


Cat. No.	Included Storage	Product Weight
85227	None	0.8 lb

Cat. No.	Description
85211	QuadBox™ 12 Point Reversible Ratcheting Wrench 8mm x 10mm & 12mm x 13mm
85212	QuadBox™ 12 Point Reversible Ratcheting Wrench 16mm x 17mm & 18mm x 19mm

12 Point QuadBox™ Double Box Ratcheting Wrenches

- QuadBox™ design saves weight in your toolbox by combining 4 sizes on one wrench
- 72 tooth ratcheting box end needs a minimal 5° to move fasteners vs. 30° for standard wrenches
- Off-corner loading design on box end provides better grip and reduces fastener rounding
- Flush mounted reversing levers allow you to change direction without removing the wrench
- Manufactured from alloy steel for better strength and longer tool life
- Bright, full polish chrome finish easily wipes clean and resists corrosion



Cat. No.	SAE/Metric	End A Fastener Size	End A Width	End A Thickness	End B Fastener Size	End B Width	End B Thickness	Overall Length	Product Weight
85201	SAE	5/16 in x 3/8 in	0.78 in	0.47 in	7/16 in x 1/2 in	0.98 in	0.59 in	6.3 in	0.19 lb
85202D	SAE	9/16 in x 5/8 in	1.2 in	0.67 in	11/16 in x 3/4 in	1.34 in	0.75 in	8.27 in	0.44 lb
85203	SAE	13/16 in x 7/8 in	1.54 in	0.91 in	15/16 in x 1 in	1.79 in	1.1 in	11.42 in	1.04 lb
85211	Metric	8mm x 10mm	0.78 in	0.47 in	12mm x 13mm	0.98 in	0.59 in	6.3 in	0.18 lb
85213	Metric	9mm x 11mm	0.85 in	0.51 in	14mm x 15mm	1.13 in	0.63 in	7.09 in	0.26 lb
85212	Metric	16mm x 17mm	1.27 in	0.71 in	18mm x 19mm	1.34 in	0.79 in	9.06 in	0.47 lb
85214	Metric	20mm x 21mm	1.54 in	0.91 in	22mm x 24mm	1.79 in	1.1 in	11.42 in	1.03 lb

4 Pc. 12 Point SAE Double Box Ratcheting Wrench Set

- Save weight in your toolbox by combining 2 sizes on one wrench
- 72 tooth ratcheting box end needs a minimal 5° to move fasteners vs. 30° for standard wrenches
- Off-corner loading design on box end provides better grip and reduces fastener rounding
- Size conveniently stamped on both ends of the beam for quick identification
- Manufactured from alloy steel for better strength and longer tool life
- Bright, full polish chrome finish easily wipes clean and resists corrosion



Cat. No.	Included Storage	Product Weight
9240D	None	1.13 lb

Cat. No.	Description	Cat. No.	Description
9201D	5/16" x 3/8" 12 Point Double Box Ratcheting Wrench	9203	9/16" x 5/8" 12 Point Double Box Ratcheting Wrench
9202D	7/16" x 1/2" 12 Point Double Box Ratcheting Wrench	9204D	11/16" x 3/4" 12 Point Double Box Ratcheting Wrench

6 Pc. 12 Point Metric Double Box Ratcheting Wrench Set

- Save weight in your toolbox by combining 2 sizes on one wrench
- 72 tooth ratcheting box end needs a minimal 5° to move fasteners vs. 30° for standard wrenches
- Off-corner loading design on box end provides better grip and reduces fastener rounding
- Size conveniently stamped on both ends of the beam for quick identification
- Manufactured from alloy steel for better strength and longer tool life
- Bright, full polish chrome finish easily wipes clean and resists corrosion

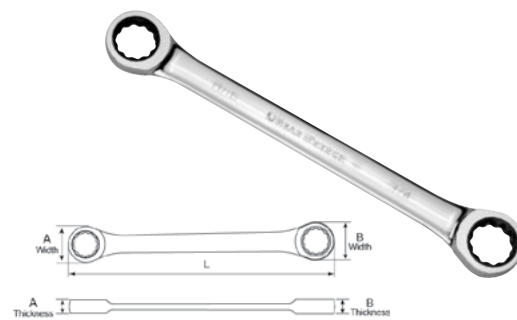


Cat. No.	Included Storage	Product Weight
9260	None	1.60 lb

Cat. No.	Description	Cat. No.	Description
9210D	8mm x 9mm 12 Point Double Box Ratcheting Wrench	9213	14mm x 15mm 12 Point Double Box Ratcheting Wrench
9211D	10mm x 11mm 12 Point Double Box Ratcheting Wrench	9214	16mm x 18mm 12 Point Double Box Ratcheting Wrench
9212D	12mm x 13mm 12 Point Double Box Ratcheting Wrench	9215D	17mm x 19mm 12 Point Double Box Ratcheting Wrench

12 Point Double Box Ratcheting Wrenches

- Save weight in your toolbox by combining 2 sizes on one wrench
- 72 tooth ratcheting box end needs a minimal 5° to move fasteners vs. 30° for standard wrenches
- Off-corner loading design on box end provides better grip and reduces fastener rounding
- Size conveniently stamped on both ends of the beam for quick identification
- Manufactured from alloy steel for better strength and longer tool life
- Bright, full polish chrome finish easily wipes clean and resists corrosion



Cat. No.	SAE/Metric	End A Fastener Size	End A Width	End A Thickness	End B Fastener Size	End B Width	End B Thickness	Overall Length	Product Weight
9201D	SAE	5/16 in	0.665 in	0.272 in	3/8 in	0.705 in	0.272 in	5.118 in	0.13 lb
9202D	SAE	7/16 in	0.854 in	0.323 in	1/2 in	0.984 in	0.339 in	6.299 in	0.16 lb
9203	SAE	9/16 in	1.035 in	0.37 in	5/8 in	1.201 in	0.406 in	7.48 in	0.31 lb
9204D	SAE	11/16 in	1.272 in	0.421 in	3/4 in	1.339 in	0.441 in	9.055 in	0.45 lb
9210D	Metric	8mm	0.665 in	0.272 in	9mm	0.705 in	0.272 in	5.118 in	0.11 lb
9211D	Metric	10mm	0.78 in	0.303 in	11mm	0.854 in	0.323 in	5.906 in	0.14 lb
9212D	Metric	12mm	0.906 in	0.339 in	13mm	0.984 in	0.339 in	6.693 in	0.22 lb
9213	Metric	14mm	1.035 in	0.37 in	15mm	1.13 in	0.39 in	7.48 in	0.27 lb
9214	Metric	16mm	1.201 in	0.406 in	18mm	1.307 in	0.441 in	8.268 in	0.42 lb
9215D	Metric	17mm	1.272 in	0.421 in	19mm	1.339 in	0.441 in	9.055 in	0.46 lb

4 Pc. External Torx® Double Box Ratcheting Wrench Set

- Save weight in your toolbox by combining 2 sizes on one wrench
- 72 tooth ratcheting box end needs a minimal 5° to move fasteners vs. 30° for standard wrenches
- Off-corner loading design on box end provides better grip and reduces fastener rounding
- Size conveniently stamped on both ends of the beam for quick identification
- Manufactured from alloy steel for better strength and longer tool life
- Bright, full polish chrome finish easily wipes clean and resists corrosion

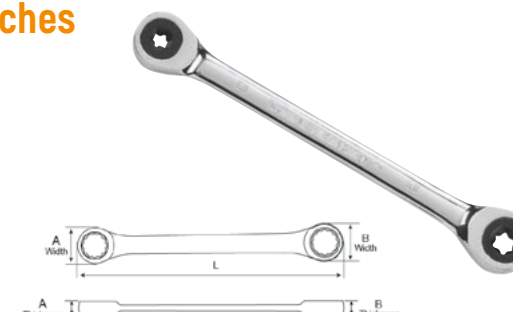


Cat. No.	Included Storage	Product Weight
9224D	None	1.00 lb

Cat. No.	Description	Cat. No.	Description
9220D	E6 x E8 Torx® Double Box Ratcheting Wrench	9222	E14 x E18 Torx® Double Box Ratcheting Wrench
9221	E10 x E12 Torx® Double Box Ratcheting Wrench	9223	E20 x E24 Torx® Double Box Ratcheting Wrench

External Torx® Double Box Ratcheting Wrenches

- Save weight in your toolbox by combining 2 sizes on one wrench
- 72 tooth ratcheting box end needs a minimal 5° to move fasteners vs. 30° for standard wrenches
- Off-corner loading design on box end provides better grip and reduces fastener rounding
- Size conveniently stamped on both ends of the beam for quick identification
- Manufactured from alloy steel for better strength and longer tool life
- Bright, full polish chrome finish easily wipes clean and resists corrosion



Cat. No.	End A Fastener Size	End A Width	End A Thickness	End B Fastener Size	End B Width	End B Thickness	Overall Length	Product Weight
9220D	E6	0.63 in	0.689 in	E8	0.256 in	0.272 in	5.118 in	0.06 lb
9221	E10	0.748 in	0.811 in	E12	0.287 in	0.303 in	5.906 in	0.11 lb
9222	E14	0.849 in	1.13 in	E18	0.354 in	0.39 in	7.48 in	0.26 lb
9223	E20	1.201 in	1.28 in	E24	0.406 in	0.441 in	9.055 in	0.36 lb

4 Pc. 12 Point SAE Reversible Half Moon Double Box Ratcheting Wrench Set

- Save weight in your toolbox by combining 2 sizes on one wrench
- 72 tooth ratcheting box end needs a minimal 5° to move fasteners vs. 30° for standard wrenches
- Off-corner loading design on box end provides better grip and reduces fastener rounding
- Slim half moon design allows for easy access around obstructions
- Flush mounted reversing lever allows you to change direction without removing the wrench
- Size conveniently stamped on both ends of the beam for quick identification
- Manufactured from alloy steel for better strength and longer tool life
- Bright, full polish chrome finish easily wipes clean and resists corrosion



Cat. No.	Included Storage	Product Weight
9840D	None	2.33 lb

Cat. No.	Description	Cat. No.	Description
9841D	3/8" x 7/16" 12 Point Half-Moon Reversible Double Box Ratcheting Wrench	9843D	5/8" x 11/16" 12 Point Half-Moon Reversible Double Box Ratcheting Wrench
9842	1/2" x 9/16" 12 Point Half-Moon Reversible Double Box Ratcheting Wrench	9844	3/4" x 7/8" 12 Point Half-Moon Reversible Double Box Ratcheting Wrench



5 Pc. 12 Point Metric Reversible Half Moon Double Box Ratcheting Wrench Set

- Save weight in your toolbox by combining 2 sizes on one wrench
- 72 tooth ratcheting box end needs a minimal 5° to move fasteners vs. 30° for standard wrenches
- Off-corner loading design on box end provides better grip and reduces fastener rounding
- Slim half moon design allows for easy access around obstructions
- Flush mounted reversing lever allows you to change direction without removing the wrench
- Size conveniently stamped on both ends of the beam for quick identification
- Manufactured from alloy steel for better strength and longer tool life
- Bright, full polish chrome finish easily wipes clean and resists corrosion



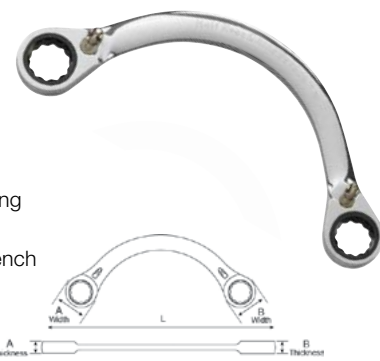
Cat. No.	Included Storage	Product Weight
9850	None	2.61 lb



Cat. No.	Description	Cat. No.	Description
9851D	10mm x 12mm 12 Pt Half-Moon Reversible Double Box Ratcheting Wrench	9854	15mm x 17mm 12 Pt Half-Moon Reversible Double Box Ratcheting Wrench
9852D	11mm x 13mm 12 Pt Half-Moon Reversible Double Box Ratcheting Wrench	9855D	19mm x 22mm 12 Pt Half-Moon Reversible Double Box Ratcheting Wrench
9853	14mm x 16mm 12 Pt Half-Moon Reversible Double Box Ratcheting Wrench		

12 Point Reversible Half Moon Double Box Ratcheting Wrenches

- Save weight in your toolbox by combining 2 sizes on one wrench
- 72 tooth ratcheting box end needs a minimal 5° to move fasteners vs. 30° for standard wrenches
- Off-corner loading design on box end provides better grip and reduces fastener rounding
- Slim half moon design allows for easy access around obstructions
- Flush mounted reversing lever allows you to change direction without removing the wrench
- Size conveniently stamped on both ends of the beam for quick identification
- Manufactured from alloy steel for better strength and longer tool life
- Bright, full polish chrome finish easily wipes clean and resists corrosion



Cat. No.	SAE/Metric	End A			End B			Overall Length	Product Weight
		Fastener Size	End A Width	End A Thickness	Fastener Size	End B Width	End B Thickness		
9841D	SAE	3/8 in	0.78 in	0.303 in	7/16 in	0.906 in	0.323 in	5.157 in	0.15 lb
9842	SAE	1/2 in	0.984 in	0.339 in	9/16 in	1.035 in	0.37 in	6.22 in	0.45 lb
9843D	SAE	5/8 in	1.201 in	0.406 in	11/16 in	1.307 in	0.421 in	7.913 in	0.50 lb
9844	SAE	3/4 in	1.339 in	0.441 in	7/8 in	1.535 in	0.512 in	9.094 in	0.19 lb
9851D	Metric	10mm	0.78 in	0.303 in	12mm	0.906 in	0.339 in	5.157 in	0.50 lb
9852D	Metric	11mm	0.854 in	0.323 in	13mm	0.984 in	0.339 in	5.787 in	0.25 lb
9853	Metric	14mm	1.035 in	0.37 in	16mm	1.272 in	0.406 in	6.654 in	1.10 lb
9854	Metric	15mm	1.201 in	0.39 in	17mm	1.307 in	0.421 in	7.913 in	1.30 lb
9855D	Metric	19mm	1.339 in	0.441 in	22mm	1.535 in	0.512 in	9.094 in	1.32 lb

4 Pc. 12 Point SAE Reversible S-Shape Double Box Ratcheting Wrench Set

- Save weight in your toolbox by combining 2 sizes on one wrench
- 72 tooth ratcheting box end needs a minimal 5° to move fasteners vs. 30° for standard wrenches
- Off-corner loading design on box end provides better grip and reduces fastener rounding
- Slim S-shape design allows for easy access around obstructions
- Flush mounted reversing lever allows you to change direction without removing the wrench
- Size conveniently stamped on both ends of the beam for quick identification
- Manufactured from alloy steel for better strength and longer tool life
- Bright, full polish chrome finish easily wipes clean and resists corrosion
- Included tray for storage and organization



Cat. No.	Included Storage	Product Weight
85399	Tray	2.40 lb



Cat. No.	Description	Cat. No.	Description
85326	3/8" x 7/16" 12 Point S-Shaped Reversible Double Box Ratcheting Wrench	85342	5/8" x 11/16" 12 Point S-Shaped Reversible Double Box Ratcheting Wrench
85334	1/2" x 9/16" 12 Point S-Shaped Reversible Double Box Ratcheting Wrench	85352	3/4" x 7/8" 12 Point S-Shaped Reversible Double Box Ratcheting Wrench

5 Pc. 12 Point Metric Reversible S-Shape Double Box Ratcheting Wrench Set

- Save weight in your toolbox by combining 2 sizes on one wrench
- 72 tooth ratcheting box end needs a minimal 5° to move fasteners vs. 30° for standard wrenches
- Off-corner loading design on box end provides better grip and reduces fastener rounding
- Slim S-shape design allows for easy access around obstructions
- Flush mounted reversing lever allows you to change direction without removing the wrench
- Size conveniently stamped on both ends of the beam for quick identification
- Manufactured from alloy steel for better strength and longer tool life
- Bright, full polish chrome finish easily wipes clean and resists corrosion
- Included tray for storage and organization



Cat. No.	Included Storage	Product Weight
85299	Tray	2.73 lb



Cat. No.	Description	Cat. No.	Description
85222	10mm x 12mm 12 Pt S-Shaped Reversible Double Box Ratcheting Wrench	85232	15mm x 17mm 12 Pt S-Shaped Reversible Double Box Ratcheting Wrench
85224	11mm x 13mm 12 Pt S-Shaped Reversible Double Box Ratcheting Wrench	85241D	19mm x 22mm 12 Pt S-Shaped Reversible Double Box Ratcheting Wrench
85230	14mm x 16mm 12 Pt S-Shaped Reversible Double Box Ratcheting Wrench		

12 Point Reversible S-Shape Double Box Ratcheting Wrenches

- Save weight in your toolbox by combining 2 sizes on one wrench
- 72 tooth ratcheting box end needs a minimal 5° to move fasteners vs. 30° for standard wrenches
- Off-corner loading design on box end provides better grip and reduces fastener rounding
- Slim S-shape design allows for easy access around obstructions
- Flush mounted reversing lever allows you to change direction without removing the wrench
- Size conveniently stamped on both ends of the beam for quick identification
- Manufactured from alloy steel for better strength and longer tool life
- Bright, full polish chrome finish easily wipes clean and resists corrosion



Cat. No.	SAE/Metric	End A		End B			Overall Length	Product Weight	
		Fastener Size	End A Width	Fastener Size	End B Width	End B Thickness			
85326	SAE	3/8 in	1.535 in	0.512 in	7/16 in	1.339 in	0.441 in	8.811 in	0.18 lb
85334	SAE	1/2 in	0.984 in	0.37 in	9/16 in	1.035 in	0.339 in	6.268 in	0.29 lb
85342	SAE	5/8 in	1.307 in	0.421 in	11/16 in	1.201 in	0.406 in	8.114 in	0.56 lb
85352	SAE	3/4 in	1.535 in	0.512 in	7/8 in	1.339 in	0.441 in	8.811 in	0.81 lb
85222	Metric	10mm	0.906 in	0.339 in	12mm	0.78 in	0.303 in	5.217 in	0.18 lb
85224	Metric	11mm	0.984 in	0.339 in	13mm	0.854 in	0.323 in	5.65 in	0.23 lb
85230	Metric	14mm	1.272 in	0.406 in	16mm	1.035 in	0.37 in	6.906 in	0.40 lb
85232	Metric	15mm	1.307 in	0.421 in	17mm	1.201 in	0.39 in	8.114 in	0.55 lb
85241D	Metric	19mm	1.535 in	0.512 in	22mm	1.339 in	0.441 in	8.811 in	1.00 lb

37 Pc. Access Bit Set with 1/2" Reversible Ratcheting Wrench

- Designed to provide better access to restricted fasteners
- Bits manufactured from S2 steel for maximum strength
- Includes a 1/2" reversible ratcheting wrench with 2 bit adapters
- Bright, full polish chrome finish easily wipes clean and resists corrosion
- Bits and adapters housed in plastic tray for convenient storage and tool retention



Cat. No.	Included Storage	Product Weight
9537NN	Bit Holder	1.020 lb



Cat. No.	Description	Cat. No.	Description
9528N	1/2" 12 Point Reversible Ratcheting Combination Wrench	-	6mm Hex Bit
-	Socket Adapter	-	7mm Hex Bit
-	1/4" Bit Holder	-	8mm Hex Bit
-	5/16" Bit Holder	-	10mm Hex Bit
-	3/32" Hex Bit	-	#1 Phillips® Bit
-	7/64" Hex Bit	-	#2 Phillips® Bit
-	1/8" Hex Bit	-	#3 Phillips® Bit
-	9/64" Hex Bit	-	1/4" Slotted Bit
-	5/32" Hex Bit	-	9/32" Slotted Bit
-	3/16" Hex Bit	-	T10 Torx® Bit
-	7/32" Hex Bit	-	T15 Torx® Bit
-	1/4" Hex Bit	-	T20 Torx® Bit
-	5/16" Hex Bit	-	T25 Torx® Bit
-	3/8" Hex Bit	-	T27 Torx® Bit
-	2mm Hex Bit	-	T30 Torx® Bit
-	2.5mm Hex Bit	-	T40 Torx® Bit
-	3mm Hex Bit	-	T45 Torx® Bit
-	4mm Hex Bit	-	T50 Torx® Bit
-	5mm Hex Bit	-	

41 Pc. Ratcheting Wrench Insert Bit Set

- Ratcheting wrench insert bits are designed to give access to fasteners in really tight spaces
- Can be inserted into the box end of a wrench and act like a low profile bit socket
- Fits in 8mm 12mm or 15mm 6 or 12 point wrenches or ratcheting wrenches
- Narrower profile when used in a ratcheting wrench than standard ratchets
- Zinc phosphate coating for corrosion resistance
- Ball detent securely holds the insert bit in the wrench
- Size markings on base for easy identification
- Meets or exceeds ASME and specifications
- Included blow mold case for storage and organization



Cat. No.	Included Storage	Product Weight
81602	Blow Mold Case	1.67



Cat. No.	Description	Cat. No.	Description
-	1/8" Hex Insert Bit	-	12mm Triple Square Insert Bit
-	9/64" Hex Insert Bit	-	#1 Phillips® Insert Bit
-	5/32" Hex Insert Bit	-	#1 Phillips® Insert Bit
-	3/16" Hex Insert Bit	-	#3 Phillips® Insert Bit
-	7/32" Hex Insert Bit	-	#4 Phillips® Insert Bit
-	1/4" Hex Insert Bit	-	1/8" Slotted Insert Bit
-	5/16" Hex Insert Bit	-	3/16" Slotted Insert Bit
-	3/8" Hex Insert Bit	-	1/4" Slotted Insert Bit
-	3mm Hex Insert Bit	-	5/16" Slotted Insert Bit
-	4mm Hex Insert Bit	-	T10 Torx® Insert Bit
-	5mm Hex Insert Bit	-	T15 Torx® Insert Bit
-	6mm Hex Insert Bit	-	T20 Torx® Insert Bit
-	7mm Hex Insert Bit	-	T25 Torx® Insert Bit
-	8mm Hex Insert Bit	-	T27 Torx® Insert Bit
-	9mm Hex Insert Bit	-	T30 Torx® Insert Bit
-	10mm Hex Insert Bit	-	T40 Torx® Insert Bit
-	4mm Triple Square Insert Bit	-	T45 Torx® Insert Bit
-	5mm Triple Square Insert Bit	-	T47 Torx® Insert Bit
-	6mm Triple Square Insert Bit	-	T50 Torx® Insert Bit
-	8mm Triple Square Insert Bit	-	T55 Torx® Insert Bit
-	10mm Triple Square Insert Bit	-	

8 Pc. Metric Hex Ratcheting Wrench Insert Bit Set

- Ratcheting wrench insert bits are designed to give access to fasteners in really tight spaces
- Can be inserted into the box end of a wrench and act like a low profile bit socket
- Fits in 8mm 12mm or 15mm 6 or 12 point wrenches or ratcheting wrenches
- Narrower profile when used in a ratcheting wrench than standard ratchets
- Zinc phosphate coating for corrosion resistance
- Ball detent securely holds the insert bit in the wrench
- Size markings on base for easy identification
- Meets or exceeds ASME and specifications
- Included tray for storage and organization



Cat. No.	Included Storage	Product Weight
81550	Tray	0.300 lb

mm



Cat. No.	Description	Cat. No.	Description
-	3mm Hex Insert Bit	-	7mm Hex Insert Bit
-	4mm Hex Insert Bit	-	8mm Hex Insert Bit
-	5mm Hex Insert Bit	-	9mm Hex Insert Bit
-	6mm Hex Insert Bit	-	10mm Hex Insert Bit

11 Pc. Torx® Ratcheting Wrench Insert Bit Set

- Ratcheting wrench insert bits are designed to give access to fasteners in really tight spaces
- Can be inserted into the box end of a wrench and act like a low profile bit socket
- Fits in 8mm 12mm or 15mm 6 or 12 point wrenches or ratcheting wrenches
- Narrower profile when used in a ratcheting wrench than standard ratchets
- Zinc phosphate coating for corrosion resistance
- Ball detent securely holds the insert bit in the wrench
- Size markings on base for easy identification
- Meets or exceeds ASME and specifications
- Included tray for storage and organization



Cat. No.	Included Storage	Product Weight
81560	Tray	0.36



Cat. No.	Description	Cat. No.	Description
-	T10 Torx® Insert Bit	-	T40 Torx® Insert Bit
-	T15 Torx® Insert Bit	-	T45 Torx® Insert Bit
-	T20 Torx® Insert Bit	-	T47 Torx® Insert Bit
-	T25 Torx® Insert Bit	-	T50 Torx® Insert Bit
-	T27 Torx® Insert Bit	-	T55 Torx® Insert Bit
-	T30 Torx® Insert Bit	-	

3 Pc. SAE Drive Adapter Set

- Socket adapter converts a 3/8" ratcheting wrench to a 1/4" drive tang
- Socket adapter converts a 1/2" ratcheting wrench to a 3/8" drive tang
- Socket adapter converts a 3/4" ratcheting wrench to a 1/2" drive tang
- Bright, full polish chrome finish easily wipes clean and resists corrosion



Cat. No.	Included Storage	Product Weight
9231D	None	0.25 lb

Cat. No.	Description
9217	Wrench Drive Adapter 3/8" to 1/4" Drive Square
9218D	Wrench Drive Adapter 1/2" to 3/8" Drive Square
9219	Wrench Drive Adapter 3/4" to 1/2" Drive Square

3 Pc. Metric Drive Adapter Set

- Socket adapter converts a 10mm ratcheting wrench to a 1/4" drive tang
- Socket adapter converts a 13mm ratcheting wrench to a 3/8" drive tang
- Socket adapter converts a 19mm ratcheting wrench to a 1/2" drive tang
- Bright, full polish chrome finish easily wipes clean and resists corrosion



Cat. No.	Included Storage	Product Weight
9230D	None	0.25 lb

Cat. No.	Description
9207	Wrench Drive Adapter 10mm to 1/4" Drive Square
9208D	Wrench Drive Adapter 13mm to 3/8" Drive Square
9209D	Wrench Drive Adapter 19mm to 1/2" Drive Square

2 Pc. Access Bit Adapter Set

- Converts a 1/2" ratcheting wrench to a ratcheting bit driver
- Use with 1/4" and 5/16" bits



Cat. No.	Included Storage	Product Weight
9535D	None	0.18 lb

Cat. No.	Description
-	1/4" Bit Drive Adapter for 1/2" Wrench
-	5/16" Bit Drive Adapter for 1/2" Wrench

5 Pc. 12 Point SAE Laminated Double Box Ratcheting Wrench Set with Roll



- Save weight in your toolbox by combining 2 sizes on one wrench
- Cleaning dirt and debris from the ratcheting mechanism is easy
- Bright, full polish chrome finish easily wipes clean and resists corrosion
- Laminated construction for greater strength
- Manufactured from alloy steel for better strength and longer tool life
- Made in the USA
- Included tool roll for storage and organization



Cat. No.	Included Storage	Product Weight
27-608G	Tool Roll	1.880 lb

Cat. No.	Description	Cat. No.	Description
27-588G	1/4" x 5/16" 12 Point Laminated Double Box Ratcheting Wrench	27-596G	5/8" x 11/16" 12 Point Laminated Double Box Ratcheting Wrench
27-591G	3/8" x 7/16" 12 Point Laminated Double Box Ratcheting Wrench	27-602G	3/4" x 7/8" 12 Point Laminated Double Box Ratcheting Wrench
27-594G	1/2" x 9/16" 12 Point Laminated Double Box Ratcheting Wrench		

12 Point Laminated Double Box Ratcheting Wrenches



- Save weight in your toolbox by combining 2 sizes on one wrench
- Cleaning dirt and debris from the ratcheting mechanism is easy
- Bright, full polish chrome finish easily wipes clean and resists corrosion
- Laminated construction for greater strength
- Manufactured from alloy steel for better strength and longer tool life
- Made in the USA



Cat. No.	SAE/Metric	End A Fastener Size	End A Width	End A Thickness	End B Fastener Size	End B Width	End B Thickness	Overall Length	Product Weight
27-588G	SAE	1/4 in	.593 in	.312 in	5/16 in	1.656 in	.312 in	4.375 in	0.13 lb
27-591G	SAE	3/8 in	.77 in	.375 in	7/16 in	1.875 in	.375 in	5.5 in	0.20 lb
27-594G	SAE	1/2 in	1 in	.375 in	9/16 in	1.125 in	.375 in	6.857 in	0.30 lb
27-596G	SAE	5/8 in	1.312 in	.375 in	11/16 in	1.437 in	.375 in	8.125 in	0.630 lb
27-599G	SAE	5/8 in	1.312 in	.375 in	3/4 in	1.437 in	.375 in	8.125 in	0.430 lb
27-601G	SAE	13/16 in	1.4 in	.375 in	15/16 in	1.406 in	.375 in	9.25 in	0.460 lb
27-602G	SAE	3/4 in	1.4 in	.375 in	7/8 in	1.406 in	.375 in	9.25 in	0.490 lb
27-603G	SAE	1 in	1.9 in	.375 in	1-1/16 in	2.5 in	.375 in	15.25 in	1.400 lb
27-604G	SAE	1-1/8 in	1.9 in	.375 in	1-1/4 in	2.5 in	.375 in	15 in	1.260 lb

6 Point Laminated Double Box Ratcheting Wrenches

- Save weight in your toolbox by combining 2 sizes on one wrench
- Cleaning dirt and debris from the ratcheting mechanism is easy
- Bright, full polish chrome finish easily wipes clean and resists corrosion
- Laminated construction for greater strength
- Manufactured from alloy steel for better strength and longer tool life
- Made in the USA



Cat. No.	SAE/Metric	End A Fastener Size	End A Width	End A Thickness	End B Fastener Size	End B Width	End B Thickness	Overall Length	Product Weight
54-590G	Metric	9mm	.77 in	.312 in	10mm	0.875 in	.312 in	5.5 in	0.18 lb
54-596G	Metric	13mm	1.312 in	.375 in	14mm	1.437 in	.375 in	6.875 in	0.29 lb

5 Pc. 6 and 12 Point SAE 25° Offset Laminated Double Box Ratcheting Wrench Set with Roll

- Save weight in your toolbox by combining 2 sizes on one wrench
- Cleaning dirt and debris from the ratcheting mechanism is easy
- Reversing lever allows you to change direction without removing the wrench
- Bright, full polish chrome finish easily wipes clean and resists corrosion
- Laminated construction for greater strength
- Manufactured from alloy steel for better strength and longer tool life
- Made in the USA
- Included tool roll for storage and organization



Cat. No.	Included Storage	Product Weight
27-635G	Tool Roll	2.200 lb

Cat. No.	Description	Cat. No.	Description
27-613G	1/4" x 5/16" 6 Point 25° Offset Laminated Ratcheting Box Wrench	27-622G	5/8" x 11/16" 12 Point 25° Offset Laminated Ratcheting Box Wrench
27-616G	3/8" x 7/16" 6 Point 25° Offset Laminated Ratcheting Box Wrench	27-626G	3/4" x 7/8" 12 Point 25° Offset Laminated Ratcheting Box Wrench
27-619G	1/2" x 9/16" 6 Point 25° Offset Laminated Ratcheting Box Wrench		

12 Point 25° Offset Laminated Double Box Ratcheting Wrenches

- Save weight in your toolbox by combining 2 sizes on one wrench
- Cleaning dirt and debris from the ratcheting mechanism is easy
- Reversing lever allows you to change direction without removing the wrench
- Bright, full polish chrome finish easily wipes clean and resists corrosion
- Laminated construction for greater strength
- Manufactured from alloy steel for better strength and longer tool life
- Made in the USA



Cat. No.	SAE/Metric	End A Fastener Size	End A Width	End A Thickness	End B Fastener Size	End B Width	End B Thickness	Overall Length	Product Weight
27-614G	SAE	1/4 in	.625 in	.375 in	5/16 in	.375 in	.375 in	4.328 in	0.130 lb
27-617G	SAE	3/8 in	.796 in	.375 in	7/16 in	.906 in	.375 in	5.968 in	0.210 lb
27-620G	SAE	1/2 in	1.015 in	.5 in	9/16 in	1.156 in	.5 in	6.515 in	0.310 lb
27-622G	SAE	5/8 in	1.281 in	.375 in	11/16 in	1.437 in	.375 in	7.656 in	0.660 lb
27-624G	SAE	5/8 in	1.281 in	.375 in	3/4 in	1.437 in	.375 in	7.656 in	0.460 lb
27-626G	SAE	3/4 in	1.406 in	.375 in	7/8 in	1.562 in	.375 in	8.75 in	0.480 lb
27-628G	SAE	13/16 in	1.406 in	.375 in	15/16 in	1.562 in	.375 in	8.75 in	0.480 lb

6 Point 25° Offset Laminated Double Box Ratcheting Wrenches

- Save weight in your toolbox by combining 2 sizes on one wrench
- Cleaning dirt and debris from the ratcheting mechanism is easy
- Reversing lever allows you to change direction without removing the wrench
- Bright, full polish chrome finish easily wipes clean and resists corrosion
- Laminated construction for greater strength
- Manufactured from alloy steel for better strength and longer tool life
- Made in the USA



Cat. No.	SAE/Metric	End A Fastener Size	End A Width	End A Thickness	End B Fastener Size	End B Width	End B Thickness	Overall Length	Product Weight
27-613G	SAE	1/4 in	.593 in	.312 in	5/16 in	.656 in	.312 in	4.093 in	0.14 lb
27-616G	SAE	3/8 in	.781 in	.312 in	7/16 in	.875 in	.312 in	5.218 in	0.180 lb
27-619G	SAE	1/2 in	1 in	.375 in	9/16 in	1.125 in	.375 in	6.468 in	0.320 lb
54-640G	Metric	9mm	.781 in	.312 in	10mm	.875 in	.312 in	5.22 in	0.18 lb

44 Pc. 12 Point SAE/Metric Long Pattern Combination Wrench Set

- 15° offset for better access in tight spaces
- Off-corner loading design on box end provides better grip and reduces fastener rounding
- Long pattern beam length for improved reach, leverage and torque
- Hard stamped size marking
- Manufactured from alloy steel for better strength and longer tool life
- Bright, full polish chrome finish easily wipes clean and resists corrosion
- Meets or exceeds ASME specifications



Cat. No.	Included Storage	Product Weight
81919	None	35.33 lb

Cat. No.	Description	Cat. No.	Description
81650	1/4" 12 Point Long Pattern Combination Wrench	81666	9mm 12 Point Long Pattern Combination Wrench
81652D	5/16" 12 Point Long Pattern Combination Wrench	81667	10mm 12 Point Long Pattern Combination Wrench
81653	11/32" 12 Point Long Pattern Combination Wrench	81668	11mm 12 Point Long Pattern Combination Wrench
81654	3/8" 12 Point Long Pattern Combination Wrench	81669	12mm 12 Point Long Pattern Combination Wrench
81655	7/16" 12 Point Long Pattern Combination Wrench	81670	13mm 12 Point Long Pattern Combination Wrench
81656	1/2" 12 Point Long Pattern Combination Wrench	81671	14mm 12 Point Long Pattern Combination Wrench
81657	9/16" 12 Point Long Pattern Combination Wrench	81672	15mm 12 Point Long Pattern Combination Wrench
81658	5/8" 12 Point Long Pattern Combination Wrench	81673	16mm 12 Point Long Pattern Combination Wrench
81659	11/16" 12 Point Long Pattern Combination Wrench	81674	17mm 12 Point Long Pattern Combination Wrench
81660	3/4" 12 Point Long Pattern Combination Wrench	81675	18mm 12 Point Long Pattern Combination Wrench
81661	13/16" 12 Point Long Pattern Combination Wrench	81676	19mm 12 Point Long Pattern Combination Wrench
81662	7/8" 12 Point Long Pattern Combination Wrench	81677	20mm 12 Point Long Pattern Combination Wrench
81663	15/16" 12 Point Long Pattern Combination Wrench	81678	21mm 12 Point Long Pattern Combination Wrench
81664	1" 12 Point Long Pattern Combination Wrench	81679	22mm 12 Point Long Pattern Combination Wrench
81733	1-1/16" 12 Point Long Pattern Combination Wrench	81741	23mm 12 Point Long Pattern Combination Wrench
81734	1-1/8" 12 Point Long Pattern Combination Wrench	81742	24mm 12 Point Long Pattern Combination Wrench
81735	1-1/4" 12 Point Long Pattern Combination Wrench	81751	25mm 12 Point Long Pattern Combination Wrench
81749	1-5/16" 12 Point Long Pattern Combination Wrench	81752	26mm 12 Point Long Pattern Combination Wrench
81750	1-1/2" 12 Point Long Pattern Combination Wrench	81743	27mm 12 Point Long Pattern Combination Wrench
81736	6mm 12 Point Long Pattern Combination Wrench	81753	28mm 12 Point Long Pattern Combination Wrench
81737	7mm 12 Point Long Pattern Combination Wrench	81744	30mm 12 Point Long Pattern Combination Wrench
81665	8mm 12 Point Long Pattern Combination Wrench	81745D	32mm 12 Point Long Pattern Combination Wrench

24 Pc. 12 Point SAE/Metric Long Pattern Combination Wrench Set

- 15° offset for better access in tight spaces
- Off-corner loading design on box end provides better grip and reduces fastener rounding
- Long pattern beam length for improved reach, leverage and torque
- Hard stamped size marking
- Manufactured from alloy steel for better strength and longer tool life
- Bright, full polish chrome finish easily wipes clean and resists corrosion
- Meets or exceeds ASME specifications



Cat. No.	Included Storage	Product Weight
81900	Tray	12.35 lb



Cat. No.	Description	Cat. No.	Description
81656	1/2" 12 Point Long Pattern Combination Wrench	81668	11mm 12 Point Long Pattern Combination Wrench
81657	9/16" 12 Point Long Pattern Combination Wrench	81669	12mm 12 Point Long Pattern Combination Wrench
81658	5/8" 12 Point Long Pattern Combination Wrench	81670	13mm 12 Point Long Pattern Combination Wrench
81659	11/16" 12 Point Long Pattern Combination Wrench	81671	14mm 12 Point Long Pattern Combination Wrench
81660	3/4" 12 Point Long Pattern Combination Wrench	81672	15mm 12 Point Long Pattern Combination Wrench
81661	13/16" 12 Point Long Pattern Combination Wrench	81673	16mm 12 Point Long Pattern Combination Wrench
81662	7/8" 12 Point Long Pattern Combination Wrench	81674	17mm 12 Point Long Pattern Combination Wrench
81663	15/16" 12 Point Long Pattern Combination Wrench	81675	18mm 12 Point Long Pattern Combination Wrench
81664	1" 12 Point Long Pattern Combination Wrench	81676	19mm 12 Point Long Pattern Combination Wrench
81665	8mm 12 Point Long Pattern Combination Wrench	81677	20mm 12 Point Long Pattern Combination Wrench
81666	9mm 12 Point Long Pattern Combination Wrench	81678	21mm 12 Point Long Pattern Combination Wrench
81667	10mm 12 Point Long Pattern Combination Wrench	81679	22mm 12 Point Long Pattern Combination Wrench

18 Pc. 12 Point SAE Long Pattern Combination Wrench Set with Roll

- 15° offset for better access in tight spaces
- Off-corner loading design on box end provides better grip and reduces fastener rounding
- Long pattern beam length for improved reach, leverage and torque
- Hard stamped size marking
- Manufactured from alloy steel for better strength and longer tool life
- Bright, full polish chrome finish easily wipes clean and resists corrosion
- Meets or exceeds ASME specifications
- Included tool roll for storage and organization



Cat. No.	Included Storage	Product Weight
81917	Tool Roll	12.40 lb



Cat. No.	Description	Cat. No.	Description
81650	1/4" 12 Point Long Pattern Combination Wrench	81659	11/16" 12 Point Long Pattern Combination Wrench
81651D	9/32" 12 Point Long Pattern Combination Wrench	81660	3/4" 12 Point Long Pattern Combination Wrench
81652D	5/16" 12 Point Long Pattern Combination Wrench	81661	13/16" 12 Point Long Pattern Combination Wrench
81653	11/32" 12 Point Long Pattern Combination Wrench	81662	7/8" 12 Point Long Pattern Combination Wrench
81654	3/8" 12 Point Long Pattern Combination Wrench	81663	15/16" 12 Point Long Pattern Combination Wrench
81655	7/16" 12 Point Long Pattern Combination Wrench	81664	1" 12 Point Long Pattern Combination Wrench
81656	1/2" 12 Point Long Pattern Combination Wrench	81733	1-1/16" 12 Point Long Pattern Combination Wrench
81657	9/16" 12 Point Long Pattern Combination Wrench	81734	1-1/8" 12 Point Long Pattern Combination Wrench
81658	5/8" 12 Point Long Pattern Combination Wrench	81735	1-1/4" 12 Point Long Pattern Combination Wrench

15 Pc. 12 Point SAE Long Pattern Combination Wrench Set

- 15° offset for better access in tight spaces
- Off-corner loading design on box end provides better grip and reduces fastener rounding
- Long pattern beam length for improved reach, leverage and torque
- Hard stamped size marking
- Manufactured from alloy steel for better strength and longer tool life
- Bright, full polish chrome finish easily wipes clean and resists corrosion
- Meets or exceeds ASME specifications
- Included rack for storage and organization



Cat. No.	Included Storage	Product Weight
81901	Wrench Rack	6.05 lb



Cat. No.	Description	Cat. No.	Description
81650	1/4" 12 Point Long Pattern Combination Wrench	81658	5/8" 12 Point Long Pattern Combination Wrench
81651D	9/32" 12 Point Long Pattern Combination Wrench	81659	11/16" 12 Point Long Pattern Combination Wrench
81652D	5/16" 12 Point Long Pattern Combination Wrench	81660	3/4" 12 Point Long Pattern Combination Wrench
81653	11/32" 12 Point Long Pattern Combination Wrench	81661	13/16" 12 Point Long Pattern Combination Wrench
81654	3/8" 12 Point Long Pattern Combination Wrench	81662	7/8" 12 Point Long Pattern Combination Wrench
81655	7/16" 12 Point Long Pattern Combination Wrench	81663	15/16" 12 Point Long Pattern Combination Wrench
81656	1/2" 12 Point Long Pattern Combination Wrench	81664	1" 12 Point Long Pattern Combination Wrench
81657	9/16" 12 Point Long Pattern Combination Wrench		

15 Pc. 12 Point SAE Long Pattern Combination Wrench Set with Roll

- 15° offset for better access in tight spaces
- Off-corner loading design on box end provides better grip and reduces fastener rounding
- Long pattern beam length for improved reach, leverage and torque
- Hard stamped size marking
- Manufactured from alloy steel for better strength and longer tool life
- Bright, full polish chrome finish easily wipes clean and resists corrosion
- Meets or exceeds ASME specifications
- Included tool roll for storage and organization



Cat. No.	Included Storage	Product Weight
81918	Tool Roll	12.83 lb

Cat. No.	Description	Cat. No.	Description
81652D	5/16" 12 Point Long Pattern Combination Wrench	81661	13/16" 12 Point Long Pattern Combination Wrench
81654	3/8" 12 Point Long Pattern Combination Wrench	81662	7/8" 12 Point Long Pattern Combination Wrench
81655	7/16" 12 Point Long Pattern Combination Wrench	81663	15/16" 12 Point Long Pattern Combination Wrench
81656	1/2" 12 Point Long Pattern Combination Wrench	81664	1" 12 Point Long Pattern Combination Wrench
81657	9/16" 12 Point Long Pattern Combination Wrench	81733	1-1/16" 12 Point Long Pattern Combination Wrench
81658	5/8" 12 Point Long Pattern Combination Wrench	81734	1-1/8" 12 Point Long Pattern Combination Wrench
81659	11/16" 12 Point Long Pattern Combination Wrench	81735	1-1/4" 12 Point Long Pattern Combination Wrench
81660	3/4" 12 Point Long Pattern Combination Wrench		

11 Pc. 12 Point SAE Long Pattern Combination Wrench Set with Roll

- 15° offset for better access in tight spaces
- Off-corner loading design on box end provides better grip and reduces fastener rounding
- Long pattern beam length for improved reach, leverage and torque
- Hard stamped size marking
- Manufactured from alloy steel for better strength and longer tool life
- Bright, full polish chrome finish easily wipes clean and resists corrosion
- Meets or exceeds ASME specifications
- Included tool roll for storage and organization



Cat. No.	Included Storage	Product Weight
81934	Tool Roll	5.840 lb

Cat. No.	Description	Cat. No.	Description
81654	3/8" 12 Point Long Pattern Combination Wrench	81660	3/4" 12 Point Long Pattern Combination Wrench
81655	7/16" 12 Point Long Pattern Combination Wrench	81661	13/16" 12 Point Long Pattern Combination Wrench
81656	1/2" 12 Point Long Pattern Combination Wrench	81662	7/8" 12 Point Long Pattern Combination Wrench
81657	9/16" 12 Point Long Pattern Combination Wrench	81663	15/16" 12 Point Long Pattern Combination Wrench
81658	5/8" 12 Point Long Pattern Combination Wrench	81664	1" 12 Point Long Pattern Combination Wrench
81659	11/16" 12 Point Long Pattern Combination Wrench		

7 Pc. 12 Point SAE Long Pattern Combination Wrench Set with Roll

- 15° offset for better access in tight spaces
- Off-corner loading design on box end provides better grip and reduces fastener rounding
- Long pattern beam length for improved reach, leverage and torque
- Hard stamped size marking
- Manufactured from alloy steel for better strength and longer tool life
- Bright, full polish chrome finish easily wipes clean and resists corrosion
- Meets or exceeds ASME specifications
- Included tool roll for storage and organization



Cat. No.	Included Storage	Product Weight
81933	Tool Roll	2.760 lb

Cat. No.	Description	Cat. No.	Description
81654	3/8" 12 Point Long Pattern Combination Wrench	81658	5/8" 12 Point Long Pattern Combination Wrench
81655	7/16" 12 Point Long Pattern Combination Wrench	81659	11/16" 12 Point Long Pattern Combination Wrench
81656	1/2" 12 Point Long Pattern Combination Wrench	81660	3/4" 12 Point Long Pattern Combination Wrench
81657	9/16" 12 Point Long Pattern Combination Wrench		

5 Pc. 12 Point SAE Long Pattern Combination Wrench Set with Roll

- 15° offset for better access in tight spaces
- Off-corner loading design on box end provides better grip and reduces fastener rounding
- Long pattern beam length for improved reach, leverage and torque
- Hard stamped size marking
- Manufactured from alloy steel for better strength and longer tool life
- Bright, full polish chrome finish easily wipes clean and resists corrosion
- Meets or exceeds ASME specifications
- Included tool roll for storage and organization



Cat. No.	Included Storage	Product Weight
81921	Tool Roll	9.94 lb

Cat. No.	Description	Cat. No.	Description
81733	1-1/16" 12 Point Long Pattern Combination Wrench	81749	1-5/16" 12 Point Long Pattern Combination Wrench
81734	1-1/8" 12 Point Long Pattern Combination Wrench	81750	1-1/2" 12 Point Long Pattern Combination Wrench
81735	1-1/4" 12 Point Long Pattern Combination Wrench		

22 Pc. 12 Point Metric Long Pattern Combination Wrench Set with Roll

- 15° offset for better access in tight spaces
- Off-corner loading design on box end provides better grip and reduces fastener rounding
- Long pattern beam length for improved reach, leverage and torque
- Hard stamped size marking
- Manufactured from alloy steel for better strength and longer tool life
- Bright, full polish chrome finish easily wipes clean and resists corrosion
- Meets or exceeds ASME specifications
- Included tool roll for storage and organization



Cat. No.	Included Storage	Product Weight
81916	Tool Roll	13.90 lb

Cat. No.	Description	Cat. No.	Description
81736	6mm 12 Point Long Pattern Combination Wrench	81674	17mm 12 Point Long Pattern Combination Wrench
81737	7mm 12 Point Long Pattern Combination Wrench	81675	18mm 12 Point Long Pattern Combination Wrench
81665	8mm 12 Point Long Pattern Combination Wrench	81676	19mm 12 Point Long Pattern Combination Wrench
81666	9mm 12 Point Long Pattern Combination Wrench	81677	20mm 12 Point Long Pattern Combination Wrench
81667	10mm 12 Point Long Pattern Combination Wrench	81678	21mm 12 Point Long Pattern Combination Wrench
81668	11mm 12 Point Long Pattern Combination Wrench	81679	22mm 12 Point Long Pattern Combination Wrench
81669	12mm 12 Point Long Pattern Combination Wrench	81741	23mm 12 Point Long Pattern Combination Wrench
81670	13mm 12 Point Long Pattern Combination Wrench	81742	24mm 12 Point Long Pattern Combination Wrench
81671	14mm 12 Point Long Pattern Combination Wrench	81743	27mm 12 Point Long Pattern Combination Wrench
81672	15mm 12 Point Long Pattern Combination Wrench	81744	30mm 12 Point Long Pattern Combination Wrench
81673	16mm 12 Point Long Pattern Combination Wrench	81745D	32mm 12 Point Long Pattern Combination Wrench

18 Pc. 12 Point Metric Long Pattern Combination Wrench Set with Roll

- 15° offset for better access in tight spaces
- Off-corner loading design on box end provides better grip and reduces fastener rounding
- Long pattern beam length for improved reach, leverage and torque
- Hard stamped size marking
- Manufactured from alloy steel for better strength and longer tool life
- Bright, full polish chrome finish easily wipes clean and resists corrosion
- Meets or exceeds ASME specifications
- Included tool roll for storage and organization



Cat. No.	Included Storage	Product Weight
81920	Tool Roll	7.82 lb

Cat. No.	Description	Cat. No.	Description
81737	7mm 12 Point Long Pattern Combination Wrench	81673	16mm 12 Point Long Pattern Combination Wrench
81665	8mm 12 Point Long Pattern Combination Wrench	81674	17mm 12 Point Long Pattern Combination Wrench
81666	9mm 12 Point Long Pattern Combination Wrench	81675	18mm 12 Point Long Pattern Combination Wrench
81667	10mm 12 Point Long Pattern Combination Wrench	81676	19mm 12 Point Long Pattern Combination Wrench
81668	11mm 12 Point Long Pattern Combination Wrench	81677	20mm 12 Point Long Pattern Combination Wrench
81669	12mm 12 Point Long Pattern Combination Wrench	81678	21mm 12 Point Long Pattern Combination Wrench
81670	13mm 12 Point Long Pattern Combination Wrench	81679	22mm 12 Point Long Pattern Combination Wrench
81671	14mm 12 Point Long Pattern Combination Wrench	81741	23mm 12 Point Long Pattern Combination Wrench
81672	15mm 12 Point Long Pattern Combination Wrench	81742	24mm 12 Point Long Pattern Combination Wrench

15 Pc. 12 Point Metric Long Pattern Combination Wrench Set

- 15° offset for better access in tight spaces
- Off-corner loading design on box end provides better grip and reduces fastener rounding
- Long pattern beam length for improved reach, leverage and torque
- Hard stamped size marking
- Manufactured from alloy steel for better strength and longer tool life
- Bright, full polish chrome finish easily wipes clean and resists corrosion
- Meets or exceeds ASME specifications
- Included rack for storage and organization



Cat. No.	Included Storage	Product Weight
81902	Wrench Rack	9.55 lb



Cat. No.	Description	Cat. No.	Description
81665	8mm 12 Point Long Pattern Combination Wrench	81673	16mm 12 Point Long Pattern Combination Wrench
81666	9mm 12 Point Long Pattern Combination Wrench	81674	17mm 12 Point Long Pattern Combination Wrench
81667	10mm 12 Point Long Pattern Combination Wrench	81675	18mm 12 Point Long Pattern Combination Wrench
81668	11mm 12 Point Long Pattern Combination Wrench	81676	19mm 12 Point Long Pattern Combination Wrench
81669	12mm 12 Point Long Pattern Combination Wrench	81677	20mm 12 Point Long Pattern Combination Wrench
81670	13mm 12 Point Long Pattern Combination Wrench	81678	21mm 12 Point Long Pattern Combination Wrench
81671	14mm 12 Point Long Pattern Combination Wrench	81679	22mm 12 Point Long Pattern Combination Wrench
81672	15mm 12 Point Long Pattern Combination Wrench		

9 Pc. 12 Point Metric Long Pattern Combination Wrench Set with Roll

- 15° offset for better access in tight spaces
- Off-corner loading design on box end provides better grip and reduces fastener rounding
- Long pattern beam length for improved reach, leverage and torque
- Hard stamped size marking
- Manufactured from alloy steel for better strength and longer tool life
- Bright, full polish chrome finish easily wipes clean and resists corrosion
- Meets or exceeds ASME specifications
- Included tool roll for storage and organization



Cat. No.	Included Storage	Product Weight
81932	Tool Roll	2.090 lb



Cat. No.	Description	Cat. No.	Description
81737	7mm 12 Point Long Pattern Combination Wrench	81669	12mm 12 Point Long Pattern Combination Wrench
81665	8mm 12 Point Long Pattern Combination Wrench	81670	13mm 12 Point Long Pattern Combination Wrench
81666	9mm 12 Point Long Pattern Combination Wrench	81671	14mm 12 Point Long Pattern Combination Wrench
81667	10mm 12 Point Long Pattern Combination Wrench	81672	15mm 12 Point Long Pattern Combination Wrench
81668	11mm 12 Point Long Pattern Combination Wrench		

6 Pc. 12 Point Metric Long Pattern Combination Wrench Set with Roll

- 15° offset for better access in tight spaces
- Off-corner loading design on box end provides better grip and reduces fastener rounding
- Long pattern beam length for improved reach, leverage and torque
- Hard stamped size marking
- Manufactured from alloy steel for better strength and longer tool life
- Bright, full polish chrome finish easily wipes clean and resists corrosion
- Meets or exceeds ASME specifications
- Included tool roll for storage and organization



Cat. No.	Included Storage	Product Weight
81922	Tool Roll	10.20 lb



Cat. No.	Description	Cat. No.	Description
81751	25mm 12 Point Long Pattern Combination Wrench	81753	28mm 12 Point Long Pattern Combination Wrench
81752	26mm 12 Point Long Pattern Combination Wrench	81744	30mm 12 Point Long Pattern Combination Wrench
81743	27mm 12 Point Long Pattern Combination Wrench	81745D	32mm 12 Point Long Pattern Combination Wrench

12 Point Long Pattern Combination Wrenches

- 15° offset for better access in tight spaces
- Off-corner loading design on box end provides better grip and reduces fastener rounding
- Long pattern beam length for improved reach, leverage and torque
- Hard stamped size marking
- Manufactured from alloy steel for better strength and longer tool life
- Bright, full polish chrome finish easily wipes clean and resists corrosion
- Meets or exceeds ASME specifications



Cat. No.	SAE/Metric	Fastener Size	End A Width	End A Thickness	End B Width	End B Thickness	Overall Length	Product Weight
81650	SAE	1/4 in	0.52 in	0.161 in	0.449 in	0.197 in	5.09 in	0.07 lb
81651D	SAE	9/32 in	0.567 in	0.169 in	0.484 in	0.209 in	5.44 in	0.09 lb
81652D	SAE	5/16 in	0.654 in	0.177 in	0.535 in	0.217 in	5.8 in	0.09 lb
81653	SAE	11/32 in	0.728 in	0.185 in	0.583 in	0.244 in	6.22 in	0.11 lb
81654	SAE	3/8 in	0.807 in	0.213 in	0.634 in	0.272 in	6.54 in	0.13 lb
81655	SAE	7/16 in	0.894 in	0.236 in	0.685 in	0.295 in	7.29 in	0.18 lb
81656	SAE	1/2 in	1.051 in	0.252 in	0.78 in	0.335 in	8.11 in	0.24 lb
81657	SAE	9/16 in	1.138 in	0.276 in	0.846 in	0.366 in	8.74 in	0.26 lb
81658	SAE	5/8 in	1.291 in	0.303 in	0.941 in	0.413 in	9.52 in	0.38 lb
81659	SAE	11/16 in	1.382 in	0.319 in	1.016 in	0.433 in	10.23 in	0.49 lb

Continued on next page

12 Point Long Pattern Combination Wrenches ■ *Continued from previous page*

Cat. No.	SAE/Metric	Fastener Size	End A Width	End A Thickness	End B Width	End B Thickness	Overall Length	Product Weight
81660	SAE	3/4 in	1.551 in	0.362 in	1.098 in	0.476 in	10.972 in	0.53 lb
81661	SAE	13/16 in	1.701 in	0.39 in	1.201 in	0.52 in	11.827 in	0.73 lb
81662	SAE	7/8 in	1.783 in	0.406 in	1.264 in	0.539 in	12.52 in	0.82 lb
81663	SAE	15/16 in	1.945 in	0.429 in	1.327 in	0.579 in	13.252 in	1.04 lb
81664	SAE	1 in	2.024 in	0.445 in	1.398 in	0.598 in	14.035 in	1.15 lb
81733	SAE	1-1/16 in	2.22 in	0.469 in	1.531 in	0.65 in	14.75 in	1.43 lb
81734	SAE	1-1/8 in	2.469 in	0.5 in	1.685 in	0.697 in	16 in	1.85 lb
81815	SAE	1-3/16 in	2.467 in	.49 in	1.76 in	.74 in	16.22 in	1.610 lb
81735	SAE	1-1/4 in	2.634 in	0.524 in	1.811 in	0.724 in	16 in	2.18 lb
81749	SAE	1-5/16 in	3.102 in	0.61 in	2.185 in	0.925 in	18.74 in	2.22 lb
81816	SAE	1-3/8 in	2.81 in	.53 in	2.05 in	.87 in	19.96 in	2.870 lb
81817	SAE	1-7/16 in	3.031 in	.626 in	2.146 in	.866 in	21.102 in	3.340 lb
81750	SAE	1-1/2 in	3.102 in	0.61 in	2.185 in	0.925 in	19.72 in	2.25 lb
81736	Metric	6 mm	0.52 in	0.161 in	0.449 in	0.197 in	5.094 in	0.07 lb
81737	Metric	7 mm	0.567 in	0.169 in	0.484 in	0.209 in	5.445 in	0.07 lb
81665	Metric	8 mm	0.654 in	0.177 in	0.535 in	0.217 in	5.799 in	0.09 lb
81666	Metric	9 mm	0.728 in	0.185 in	0.583 in	0.244 in	6.22 in	0.11 lb
81667	Metric	10 mm	0.807 in	0.213 in	0.634 in	0.272 in	6.543 in	0.13 lb
81668	Metric	11 mm	0.894 in	0.236 in	0.685 in	0.295 in	7.291 in	0.18 lb
81669	Metric	12 mm	0.969 in	0.244 in	0.728 in	0.327 in	7.736 in	0.18 lb
81670	Metric	13 mm	1.051 in	0.252 in	0.78 in	0.335 in	8.114 in	0.30 lb
81671	Metric	14 mm	1.138 in	0.276 in	0.846 in	0.366 in	8.74 in	0.32 lb
81672	Metric	15 mm	1.213 in	0.291 in	0.89 in	0.39 in	9.134 in	0.35 lb
81673	Metric	16 mm	1.291 in	0.303 in	0.941 in	0.413 in	9.524 in	0.40 lb
81674	Metric	17 mm	1.382 in	0.319 in	1.016 in	0.433 in	10.232 in	0.43 lb
81675	Metric	18 mm	1.461 in	0.339 in	1.047 in	0.453 in	10.602 in	0.49 lb
81676	Metric	19 mm	1.55 in	0.36 in	1.08 in	0.472 in	10.97 in	0.54 lb
81677	Metric	20 mm	1.65 in	0.381 in	1.11 in	0.491 in	11.4 in	0.62 lb
81678	Metric	21 mm	1.7 in	0.4 in	1.14 in	0.51 in	11.83 in	0.68 lb
81679	Metric	22 mm	1.783 in	0.406 in	1.264 in	0.539 in	12.52 in	0.69 lb
81741	Metric	23 mm	1.87 in	0.417 in	1.287 in	0.559 in	12.752 in	0.99 lb
81742	Metric	24 mm	1.945 in	0.429 in	1.327 in	0.579 in	13.252 in	1.00 lb
81751	Metric	25 mm	2.024 in	0.445 in	1.398 in	0.598 in	14.035 in	1.10 lb
81752	Metric	26 mm	2.138 in	0.449 in	1.472 in	0.622 in	14.331 in	1.12 lb
81743	Metric	27 mm	2.22 in	0.469 in	1.531 in	0.65 in	14.752 in	1.38 lb
81753	Metric	28 mm	2.469 in	0.5 in	1.685 in	0.697 in	16 in	1.89 lb
81809	Metric	29 mm	2.343 in	.469 in	1.665 in	.673 in	15.394 in	1.610 lb
81744	Metric	30 mm	2.555 in	0.524 in	1.685 in	0.724 in	17 in	2.12 lb
81745D	Metric	32 mm	2.634 in	0.524 in	1.811 in	0.724 in	17.362 in	2.13 lb

12 Point Long Pattern Satin Combination Wrenches

- 15° offset for better access in tight spaces
- Off-corner loading design on box end provides better grip and reduces fastener rounding
- Long pattern beam length for improved reach, leverage and torque
- Hard stamped size marking
- Manufactured from alloy steel for better strength and longer tool life
- Satin finish for corrosion protection and simple cleaning
- Meets or exceeds ASME specifications



Cat. No.	SAE/Metric	Fastener Size	End A Width	End A Thickness	End B Width	End B Thickness	Overall Length	Product Weight
81818	SAE	1-5/8 in	3.402 in	.673 in	2.425 in	.957 in	24.094 in	4.310 lb
81819	SAE	1-11/16 in	3.402 in	0.673 in	2.425 in	0.957 in	24.094 in	4.310 lb
81820	SAE	1-3/4 in	3.689 in	0.776 in	2.618 in	0.976 in	25.551 in	5.150 lb
81821	SAE	1-13/16 in	3.689 in	0.776 in	2.618 in	0.976 in	25.551 in	5.150 lb
81822	SAE	1-7/8 in	3.9 in	0.75 in	2.76 in	1.06 in	27.09 in	8.800 lb
81823	SAE	2 in	4.02 in	0.75 in	2.87 in	1.06 in	27.13 in	8.360 lb
81824	SAE	2-1/16 in	4 in	0.75 in	2.87 in	1.06 in	27.09 in	7.920 lb
81825	SAE	2-1/8 in	4.409 in	0.843 in	3.169 in	1.126 in	27.795 in	8.050 lb
81826	SAE	2-3/16 in	4.409 in	0.843 in	3.169 in	1.126 in	27.795 in	8.050 lb
81827	SAE	2-1/4 in	4.409 in	0.843 in	3.169 in	1.126 in	27.795 in	11.550 lb
81828	SAE	2-3/8 in	4.992 in	0.937 in	3.665 in	1.319 in	29.843 in	11.550 lb
81829	SAE	2-1/2 in	4.992 in	0.937 in	3.665 in	1.319 in	29.843 in	11.550 lb
81830	SAE	2-9/16 in	5.43 in	1 in	4.06 in	1.48 in	31.89 in	21.560 lb
81831	SAE	2-5/8 in	5.43 in	1 in	4.02 in	1.5 in	31.89 in	21.120 lb
81832	SAE	2-3/4 in	5.39 in	1 in	4.06 in	1.5 in	31.89 in	20.680 lb
81840	Metric	36 mm	2.81 in	.53 in	2.01 in	.85 in	19.96 in	2.420 lb
81841	Metric	41 mm	3.402 in	0.673 in	2.425 in	0.957 in	24.094 in	4.310 lb
81842	Metric	46 mm	3.689 in	0.776 in	2.618 in	0.976 in	25.551 in	5.150 lb
81843	Metric	50 mm	3.9 in	0.75 in	2.87 in	1.06 in	26.97 in	7.480 lb
81844	Metric	55 mm	4.409 in	0.843 in	3.169 in	1.126 in	27.795 in	8.050 lb
81845	Metric	60 mm	4.992 in	0.937 in	3.665 in	1.319 in	29.843 in	11.550 lb
81846	Metric	65 mm	5.47 in	1 in	4.06 in	1.5 in	31.89 in	20.240 lb
81847	Metric	70 mm	5.39 in	1 in	4.06 in	1.5 in	31.89 in	19.800 lb

20 Pc. 12 Point SAE/Metric Stubby Combination Wrench Set

- 15° offset for better access in tight spaces
- Off-corner loading design on box end provides better grip and reduces fastener rounding
- Stubby beam length for when clearance is limited
- Manufactured from alloy steel for better strength and longer tool life
- Bright, full polish chrome finish easily wipes clean and resists corrosion
- Meets or exceeds ASME specifications
- Included tray for storage and organization



Cat. No.	Included Storage	Product Weight
81903	Tray	5.25 lb



Cat. No.	Description	Cat. No.	Description
81624	3/8" 12 Point Stubby Combination Wrench	81634	10mm 12 Point Stubby Combination Wrench
81625	7/16" 12 Point Stubby Combination Wrench	81635	11mm 12 Point Stubby Combination Wrench
81626	1/2" 12 Point Stubby Combination Wrench	81636	12mm 12 Point Stubby Combination Wrench
81627	9/16" 12 Point Stubby Combination Wrench	81637	13mm 12 Point Stubby Combination Wrench
81628	5/8" 12 Point Stubby Combination Wrench	81638	14mm 12 Point Stubby Combination Wrench
81629	11/16" 12 Point Stubby Combination Wrench	81639	15mm 12 Point Stubby Combination Wrench
81630	3/4" 12 Point Stubby Combination Wrench	81640	16mm 12 Point Stubby Combination Wrench
81631	13/16" 12 Point Stubby Combination Wrench	81641	17mm 12 Point Stubby Combination Wrench
81632	7/8" 12 Point Stubby Combination Wrench	81642	18mm 12 Point Stubby Combination Wrench
81633	15/16" 12 Point Stubby Combination Wrench	81643	19mm 12 Point Stubby Combination Wrench

10 Pc. 12 Point SAE Stubby Combination Wrench Set

- 15° offset for better access in tight spaces
- Off-corner loading design on box end provides better grip and reduces fastener rounding
- Stubby beam length for when clearance is limited
- Manufactured from alloy steel for better strength and longer tool life
- Bright, full polish chrome finish easily wipes clean and resists corrosion
- Meets or exceeds ASME specifications
- Included tray for storage and organization



Cat. No.	Included Storage	Product Weight
81905	Tray	2.87 lb



Cat. No.	Description	Cat. No.	Description
81624	3/8" 12 Point Stubby Combination Wrench	81629	11/16" 12 Point Stubby Combination Wrench
81625	7/16" 12 Point Stubby Combination Wrench	81630	3/4" 12 Point Stubby Combination Wrench
81626	1/2" 12 Point Stubby Combination Wrench	81631	13/16" 12 Point Stubby Combination Wrench
81627	9/16" 12 Point Stubby Combination Wrench	81632	7/8" 12 Point Stubby Combination Wrench
81628	5/8" 12 Point Stubby Combination Wrench	81633	15/16" 12 Point Stubby Combination Wrench

10 Pc. 12 Point Metric Stubby Combination Wrench Set

- 15° offset for better access in tight spaces
- Off-corner loading design on box end provides better grip and reduces fastener rounding
- Stubby beam length for when clearance is limited
- Manufactured from alloy steel for better strength and longer tool life
- Bright, full polish chrome finish easily wipes clean and resists corrosion
- Meets or exceeds ASME specifications
- Included tray for storage and organization



Cat. No.	Included Storage	Product Weight
81904	Tray	2.05 lb



Cat. No.	Description	Cat. No.	Description
81634	10mm 12 Point Stubby Combination Wrench	81639	15mm 12 Point Stubby Combination Wrench
81635	11mm 12 Point Stubby Combination Wrench	81640	16mm 12 Point Stubby Combination Wrench
81636	12mm 12 Point Stubby Combination Wrench	81641	17mm 12 Point Stubby Combination Wrench
81637	13mm 12 Point Stubby Combination Wrench	81642	18mm 12 Point Stubby Combination Wrench
81638	14mm 12 Point Stubby Combination Wrench	81643	19mm 12 Point Stubby Combination Wrench

12 Point Stubby Combination Wrenches

- 15° offset for better access in tight spaces
- Off-corner loading design on box end provides better grip and reduces fastener rounding
- Stubby beam length for when clearance is limited
- Manufactured from alloy steel for better strength and longer tool life
- Bright, full polish chrome finish easily wipes clean and resists corrosion
- Meets or exceeds ASME specifications



Cat. No.	SAE/Metric	Fastener Size	End A Width	End A Thickness	End B Width	End B Thickness	Overall Length	Product Weight
81624	SAE	3/8 in	0.807 in	0.181 in	0.634 in	0.232 in	3.752 in	0.09 lb
81625	SAE	7/16 in	0.894 in	0.197 in	0.685 in	0.256 in	4.067 in	0.11 lb
81626	SAE	1/2 in	1.051 in	0.22 in	0.78 in	0.303 in	4.268 in	0.13 lb
81627	SAE	9/16 in	1.138 in	0.236 in	0.846 in	0.327 in	4.543 in	0.15 lb
81628	SAE	5/8 in	1.291 in	0.26 in	0.941 in	0.37 in	4.862 in	0.18 lb
81629	SAE	11/16 in	1.382 in	0.276 in	1.016 in	0.39 in	5.02 in	0.22 lb
81630	SAE	3/4 in	1.551 in	0.315 in	1.098 in	0.429 in	5.492 in	0.29 lb
81631	SAE	13/16 in	1.701 in	0.339 in	1.201 in	0.469 in	5.752 in	0.40 lb
81632	SAE	7/8 in	1.783 in	0.354 in	1.276 in	0.488 in	6.252 in	0.44 lb
81633	SAE	15/16 in	1.945 in	0.378 in	1.327 in	0.528 in	6.5 in	0.53 lb
81634	Metric	10 mm	0.807 in	0.181 in	0.634 in	0.232 in	3.752 in	0.11 lb
81635	Metric	11 mm	0.894 in	0.197 in	0.685 in	0.256 in	4.067 in	0.11 lb
81636	Metric	12 mm	0.969 in	0.209 in	0.728 in	0.276 in	4.189 in	0.11 lb
81637	Metric	13 mm	1.051 in	0.22 in	0.78 in	0.303 in	4.268 in	0.13 lb
81638	Metric	14 mm	1.138 in	0.236 in	0.846 in	0.327 in	4.543 in	0.15 lb
81639	Metric	15 mm	1.213 in	0.248 in	0.89 in	0.346 in	4.701 in	0.18 lb
81640	Metric	16 mm	1.291 in	0.26 in	0.941 in	0.37 in	4.862 in	0.18 lb
81641	Metric	17 mm	1.382 in	0.276 in	1.016 in	0.39 in	5.02 in	0.22 lb
81642	Metric	18 mm	1.461 in	0.295 in	1.047 in	0.409 in	5.142 in	0.24 lb
81643	Metric	19 mm	1.551 in	0.315 in	1.098 in	0.429 in	5.492 in	0.29 lb

28 Pc. 6 Point SAE/Metric Combination Wrench Set

- 15° offset for better access in tight spaces
- Off-corner loading design on box end provides better grip and reduces fastener rounding
- 6 point box end design for secure fit on hex fasteners
- Hard stamped size marking
- Manufactured from alloy steel for better strength and longer tool life
- Bright, full polish chrome finish easily wipes clean and resists corrosion
- Meets or exceeds ASME specifications



Cat. No.	Included Storage	Product Weight
81923	None	14.50 lb



Cat. No.	Description	Cat. No.	Description
81768	1/4" 6 Point Combination Wrench	81754	6mm 6 Point Combination Wrench
81769	5/16" 6 Point Combination Wrench	81755	7mm 6 Point Combination Wrench
81770	11/32" 6 Point Combination Wrench	81756	8mm 6 Point Combination Wrench
81771	3/8" 6 Point Combination Wrench	81757	9mm 6 Point Combination Wrench
81772	7/16" 6 Point Combination Wrench	81758	10mm 6 Point Combination Wrench
81773	1/2" 6 Point Combination Wrench	81759	11mm 6 Point Combination Wrench
81774	9/16" 6 Point Combination Wrench	81760D	12mm 6 Point Combination Wrench
81775	5/8" 6 Point Combination Wrench	81761	13mm 6 Point Combination Wrench
81776	11/16" 6 Point Combination Wrench	81762	14mm 6 Point Combination Wrench
81777	3/4" 6 Point Combination Wrench	81763	15mm 6 Point Combination Wrench
81778	13/16" 6 Point Combination Wrench	81764	16mm 6 Point Combination Wrench
81779	7/8" 6 Point Combination Wrench	81765D	17mm 6 Point Combination Wrench
81780D	15/16" 6 Point Combination Wrench	81766	18mm 6 Point Combination Wrench
81781	1" 6 Point Combination Wrench	81767	19mm 6 Point Combination Wrench

14 Pc. 6 Point SAE Combination Wrench Set

- 15° offset for better access in tight spaces
- Off-corner loading design on box end provides better grip and reduces fastener rounding
- 6 point box end design for secure fit on hex fasteners
- Hard stamped size marking
- Manufactured from alloy steel for better strength and longer tool life
- Bright, full polish chrome finish easily wipes clean and resists corrosion
- Meets or exceeds ASME specifications



Cat. No.	Included Storage	Product Weight
81924	None	5.15 lb

Cat. No.	Description	Cat. No.	Description
81768	1/4" 6 Point Combination Wrench	81775	5/8" 6 Point Combination Wrench
81769	5/16" 6 Point Combination Wrench	81776	11/16" 6 Point Combination Wrench
81770	11/32" 6 Point Combination Wrench	81777	3/4" 6 Point Combination Wrench
81771	3/8" 6 Point Combination Wrench	81778	13/16" 6 Point Combination Wrench
81772	7/16" 6 Point Combination Wrench	81779	7/8" 6 Point Combination Wrench
81773	1/2" 6 Point Combination Wrench	81780D	15/16" 6 Point Combination Wrench
81774	9/16" 6 Point Combination Wrench	81781	1" 6 Point Combination Wrench

14 Pc. 6 Point Metric Combination Wrench Set

- 15° offset for better access in tight spaces
- Off-corner loading design on box end provides better grip and reduces fastener rounding
- 6 point box end design for secure fit on hex fasteners
- Hard stamped size marking
- Manufactured from alloy steel for better strength and longer tool life
- Bright, full polish chrome finish easily wipes clean and resists corrosion
- Meets or exceeds ASME specifications



Cat. No.	Included Storage	Product Weight
81925	None	4.85 lb

Cat. No.	Description	Cat. No.	Description
81754	6mm 6 Point Combination Wrench	81761	13mm 6 Point Combination Wrench
81755	7mm 6 Point Combination Wrench	81762	14mm 6 Point Combination Wrench
81756	8mm 6 Point Combination Wrench	81763	15mm 6 Point Combination Wrench
81757	9mm 6 Point Combination Wrench	81764	16mm 6 Point Combination Wrench
81758	10mm 6 Point Combination Wrench	81765D	17mm 6 Point Combination Wrench
81759	11mm 6 Point Combination Wrench	81766	18mm 6 Point Combination Wrench
81760D	12mm 6 Point Combination Wrench	81767	19mm 6 Point Combination Wrench

6 Point Combination Wrenches

- 15° offset for better access in tight spaces
- Off-corner loading design on box end provides better grip and reduces fastener rounding
- 6 point box end design for secure fit on hex fasteners
- Hard stamped size marking
- Manufactured from alloy steel for better strength and longer tool life
- Bright, full polish chrome finish easily wipes clean and resists corrosion
- Meets or exceeds ASME specifications



Cat. No.	SAE/Metric	Fastener Size	End A Width	End A Thickness	End B Width	End B Thickness	Overall Length	Product Weight
81768	SAE	1/4 in	0.52 in	0.161 in	0.449 in	0.197 in	5.094 in	0.05 lb
81769	SAE	5/16 in	0.567 in	0.169 in	0.484 in	0.209 in	5.445 in	0.06 lb
81770	SAE	11/32 in	0.728 in	0.185 in	0.583 in	0.244 in	5.83 in	0.07 lb
81771	SAE	3/8 in	0.807 in	0.213 in	0.634 in	0.272 in	6.2 in	0.09 lb
81772	SAE	7/16 in	0.894 in	0.236 in	0.685 in	0.295 in	6.45 in	0.12 lb
81773	SAE	1/2 in	1.051 in	0.252 in	0.78 in	0.335 in	6.94 in	0.14 lb
81774	SAE	9/16 in	1.138 in	0.276 in	0.846 in	0.366 in	7.44 in	0.20 lb
81775	SAE	5/8 in	1.291 in	0.303 in	0.941 in	0.413 in	8.16 in	0.27 lb
81776	SAE	11/16 in	1.382 in	0.319 in	1.016 in	0.433 in	8.82 in	0.33 lb
81777	SAE	3/4 in	1.551 in	0.362 in	1.098 in	0.476 in	9.75 in	0.41 lb
81778	SAE	13/16 in	1.701 in	0.39 in	1.201 in	0.52 in	11.827 in	0.53 lb
81779	SAE	7/8 in	1.783 in	0.406 in	1.264 in	0.539 in	12.52 in	0.64 lb
81780D	SAE	15/16 in	1.945 in	0.429 in	1.327 in	0.579 in	13.252 in	0.71 lb
81781	SAE	1 in	2.024 in	0.445 in	1.398 in	0.598 in	14.035 in	0.90 lb
81754	Metric	6 mm	0.52 in	0.161 in	0.449 in	0.197 in	5 in	0.06 lb
81755	Metric	7 mm	0.567 in	0.169 in	0.484 in	0.209 in	5.2 in	0.06 lb
81756	Metric	8 mm	0.654 in	0.177 in	0.535 in	0.217 in	5.45 in	0.07 lb
81757	Metric	9 mm	0.728 in	0.185 in	0.583 in	0.244 in	5.83 in	0.09 lb
81758	Metric	10 mm	0.807 in	0.213 in	0.634 in	0.272 in	6.2 in	0.11 lb
81759	Metric	11 mm	0.894 in	0.236 in	0.685 in	0.295 in	6.45 in	0.12 lb
81760D	Metric	12 mm	0.969 in	0.244 in	0.728 in	0.327 in	6.7 in	0.15 lb
81761	Metric	13 mm	1.051 in	0.252 in	0.78 in	0.335 in	6.94 in	0.18 lb
81762	Metric	14 mm	1.138 in	0.276 in	0.846 in	0.366 in	7.44 in	0.21 lb
81763	Metric	15 mm	1.213 in	0.291 in	0.89 in	0.39 in	7.75 in	0.24 lb
81764	Metric	16 mm	1.291 in	0.303 in	0.941 in	0.413 in	8.16 in	0.34 lb
81765D	Metric	17 mm	1.382 in	0.319 in	1.016 in	0.433 in	8.82 in	0.41 lb
81766	Metric	18 mm	1.461 in	0.339 in	1.047 in	0.453 in	9.28 in	0.42 lb
81767	Metric	19 mm	1.551 in	0.362 in	1.098 in	0.476 in	9.75 in	0.55 lb

5 Pc. SAE Flex Flare Nut Ratcheting Wrench Set

- Opening in the head gives greater access to fittings used on tubing
- Hex shaped heads maintain a more secure grip on fasteners
- Ideal for use on hex nuts made of softer materials
- Quickly ratchet flare nuts and bolts without removing the wrench from the fastener
- 180° flexible head provides better access to hard-to-reach places
- Manufactured from alloy steel for better strength and longer tool life
- Bright, full polish chrome finish easily wipes clean and resists corrosion
- Meets or exceeds ANSI requirements
- Included tray for storage and organization



Cat. No.	Included Storage	Product Weight
89100	Tray	2.55 lb



Cat. No.	Description	Cat. No.	Description
89109	1/4" x 5/16" Ratcheting Flex Head Flare Nut Wrench	89112	5/8" x 11/16" Ratcheting Flex Head Flare Nut Wrench
89110	3/8" x 7/16" Ratcheting Flex Head Flare Nut Wrench	89113	3/4" x 7/8" Ratcheting Flex Head Flare Nut Wrench
89111	1/2" x 9/16" Ratcheting Flex Head Flare Nut Wrench		

3 Pc. SAE Flex Flare Nut Ratcheting Wrench Set

- Opening in the head gives greater access to fittings used on tubing
- Hex shaped heads maintain a more secure grip on fasteners
- Ideal for use on hex nuts made of softer materials
- Quickly ratchet flare nuts and bolts without removing the wrench from the fastener
- 180° flexible head provides better access to hard-to-reach places
- Manufactured from alloy steel for better strength and longer tool life
- Bright, full polish chrome finish easily wipes clean and resists corrosion
- Meets or exceeds ANSI requirements



Cat. No.	Included Storage	Product Weight
89098	None	2.05 lb



Cat. No.	Description
89110	3/8" x 7/16" Ratcheting Flex Head Flare Nut Wrench
89111	1/2" x 9/16" Ratcheting Flex Head Flare Nut Wrench
89112	5/8" x 11/16" Ratcheting Flex Head Flare Nut Wrench

6 Pc. Metric Flex Flare Nut Ratcheting Wrench Set

- Opening in the head gives greater access to fittings used on tubing
- Hex shaped heads maintain a more secure grip on fasteners
- Ideal for use on hex nuts made of softer materials
- Quickly ratchet flare nuts and bolts without removing the wrench from the fastener
- 180° flexible head provides better access to hard-to-reach places
- Manufactured from alloy steel for better strength and longer tool life
- Bright, full polish chrome finish easily wipes clean and resists corrosion
- Meets or exceeds ANSI requirements
- Included tray for storage and organization



Cat. No.	Included Storage	Product Weight
89101D	Tray	5.10 lb



Cat. No.	Description	Cat. No.	Description
89102	9mm x 11mm Ratcheting Flex Head Flare Nut Wrench	89105	15mm x 17mm Ratcheting Flex Head Flare Nut Wrench
89103	10mm x 12mm Ratcheting Flex Head Flare Nut Wrench	89106	16mm x 18mm Ratcheting Flex Head Flare Nut Wrench
89104	13mm x 14mm Ratcheting Flex Head Flare Nut Wrench	89107	19mm x 21mm Ratcheting Flex Head Flare Nut Wrench

3 Pc. Metric Flex Flare Nut Ratcheting Wrench Set

- Opening in the head gives greater access to fittings used on tubing
- Hex shaped heads maintain a more secure grip on fasteners
- Ideal for use on hex nuts made of softer materials
- Quickly ratchet flare nuts and bolts without removing the wrench from the fastener
- 180° flexible head provides better access to hard-to-reach places
- Manufactured from alloy steel for better strength and longer tool life
- Bright, full polish chrome finish easily wipes clean and resists corrosion
- Meets or exceeds ANSI requirements



Cat. No.	Included Storage	Product Weight
89099	None	2.0 lb



Cat. No.	Description
89103	10mm x 12mm Ratcheting Flex Head Flare Nut Wrench
89104	13mm x 14mm Ratcheting Flex Head Flare Nut Wrench
89105	15mm x 17mm Ratcheting Flex Head Flare Nut Wrench

Flex Flare Nut Ratcheting Wrenches

- Opening in the head gives greater access to fittings used on tubing
- Hex shaped heads maintain a more secure grip on fasteners
- Ideal for use on hex nuts made of softer materials
- Quickly ratchet flare nuts and bolts without removing the wrench from the fastener
- 180° flexible head provides better access to hard-to-reach places
- Manufactured from alloy steel for better strength and longer tool life
- Bright, full polish chrome finish easily wipes clean and resists corrosion
- Meets or exceeds ANSI requirements



Cat. No.	SAE/Metric	End A Fastener Size	End A Width	End A Thickness	End B Fastener Size	End B Width	End B Thickness	Overall Length	Product Weight
89109	SAE	1/4 in	0.614 in	0.256 in	5/16 in	0.709 in	0.256 in	6.444 in	0.23 lb
89110	SAE	3/8 in	0.835 in	0.394 in	7/16 in	0.898 in	0.394 in	8.597 in	0.41 lb
89111	SAE	1/2 in	1.031 in	0.417 in	9/16 in	1.118 in	0.453 in	10.13 in	0.58 lb
89112	SAE	5/8 in	1.228 in	0.453 in	11/16 in	1.362 in	0.512 in	11.262 in	0.87 lb
89113	SAE	3/4 in	1.394 in	0.559 in	7/8 in	1.598 in	0.579 in	13.243 in	1.28 lb
89102	Metric	9mm	0.811 in	0.374 in	11mm	0.906 in	0.394 in	7.769 in	0.36 lb
89103	Metric	10mm	0.866 in	0.394 in	12mm	0.969 in	0.417 in	9.19 in	0.43 lb
89104	Metric	13mm	1.024 in	0.417 in	14mm	1.063 in	0.453 in	10.29 in	0.58 lb
89105	Metric	15mm	1.15 in	0.453 in	17mm	1.228 in	0.512 in	10.909 in	0.78 lb
89106	Metric	16mm	1.189 in	0.453 in	18mm	1.319 in	0.559 in	11.833 in	0.90 lb
89107	Metric	19mm	1.378 in	0.559 in	21mm	1.535 in	0.579 in	12.996 in	1.28 lb

5 Pc. SAE Flex Flare Nut Wrench Set

- Hex shaped heads give more points of contact on the fastener to prevent damage
- Ideal for use on hex nuts made of softer materials
- 180° flexible head provides better access to hard-to-reach places
- Sizes stamped on both sides of the wrench beam for quick identification
- Manufactured from alloy steel for better strength and longer tool life
- Bright, full polish chrome finish easily wipes clean and resists corrosion
- Included tray for storage and organization



Cat. No.	Included Storage	Product Weight
81910	Tray	2.78 lb



Cat. No.	Description	Cat. No.	Description
81693	1/4" x 5/16" Flex Head Flare Nut Wrench	81696	5/8" x 11/16" Flex Head Flare Nut Wrench
81694	3/8" x 7/16" Flex Head Flare Nut Wrench	81697	3/4" x 7/8" Flex Head Flare Nut Wrench
81695	1/2" x 9/16" Flex Head Flare Nut Wrench		

3 Pc. SAE Flex Flare Nut Wrench Set

- Hex shaped heads give more points of contact on the fastener to prevent damage
- Ideal for use on hex nuts made of softer materials
- 180° flexible head provides better access to hard-to-reach places
- Sizes stamped on both sides of the wrench beam for quick identification
- Manufactured from alloy steel for better strength and longer tool life
- Bright, full polish chrome finish easily wipes clean and resists corrosion
- Included tray for storage and organization



Cat. No.	Included Storage	Product Weight
81914	Tray	1.28 lb



Cat. No.	Description
81694	3/8" x 7/16" Flex Head Flare Nut Wrench
81695	1/2" x 9/16" Flex Head Flare Nut Wrench
81696	5/8" x 11/16" Flex Head Flare Nut Wrench

6 Pc. Metric Flex Flare Nut Wrench Set

- Hex shaped heads give more points of contact on the fastener to prevent damage
- Ideal for use on hex nuts made of softer materials
- 180° flexible head provides better access to hard-to-reach places
- Sizes stamped on both sides of the wrench beam for quick identification
- Manufactured from alloy steel for better strength and longer tool life
- Bright, full polish chrome finish easily wipes clean and resists corrosion
- Included tray for storage and organization



Cat. No.	Included Storage	Product Weight
81911D	Tray	3.47 lb



Cat. No.	Description	Cat. No.	Description
81686	9mm x 11mm Flex Head Flare Nut Wrench	81689	15mm x 17mm Flex Head Flare Nut Wrench
81687	10mm x 12mm Flex Head Flare Nut Wrench	81690	16mm x 18mm Flex Head Flare Nut Wrench
81688	13mm x 14mm Flex Head Flare Nut Wrench	81692	19mm x 21mm Flex Head Flare Nut Wrench

3 Pc. Metric Flex Flare Nut Wrench Set

- Hex shaped heads give more points of contact on the fastener to prevent damage
- Ideal for use on hex nuts made of softer materials
- 180° flexible head provides better access to hard-to-reach places
- Sizes stamped on both sides of the wrench beam for quick identification
- Manufactured from alloy steel for better strength and longer tool life
- Bright, full polish chrome finish easily wipes clean and resists corrosion
- Included tray for storage and organization



Cat. No.	Included Storage	Product Weight
81915	Tray	0.97 lb



Cat. No.	Description
81686	9mm x 11mm Flex Head Flare Nut Wrench
81687	10mm x 12mm Flex Head Flare Nut Wrench
81688	13mm x 14mm Flex Head Flare Nut Wrench

Flex Flare Nut Wrenches

- Hex shaped heads give more points of contact on the fastener to prevent damage
- Ideal for use on hex nuts made of softer materials
- 180° flexible head provides better access to hard-to-reach places
- Sizes stamped on both sides of the wrench beam for quick identification
- Manufactured from alloy steel for better strength and longer tool life
- Bright, full polish chrome finish easily wipes clean and resists corrosion



Cat. No.	SAE/Metric	End A Fastener Size	End A Width	End A Thickness	End B Fastener Size	End B Width	End B Thickness	Overall Length	Product Weight
81693	SAE	1/4 in	0.63 in	0.72 in	5/16 in	0.256 in	0.256 in	5.709 in	0.08 lb
81694	SAE	3/8 in	0.772 in	0.811 in	7/16 in	0.394 in	0.394 in	7.13 in	0.20 lb
81695	SAE	1/2 in	0.89 in	0.953 in	9/16 in	0.417 in	0.453 in	8.429 in	0.29 lb
81696	SAE	5/8 in	1.122 in	1.181 in	11/16 in	0.453 in	0.512 in	9.303 in	0.57 lb
81697	SAE	3/4 in	1.252 in	1.37 in	7/8 in	0.559 in	0.579 in	11.146 in	0.58 lb
81686	Metric	9mm	0.732 in	0.811 in	11mm	0.374 in	0.394 in	6.264 in	0.21 lb
81687	Metric	10mm	0.772 in	0.85 in	12mm	0.394 in	0.417 in	7.563 in	0.26 lb
81688	Metric	13mm	0.89 in	0.953 in	14mm	0.417 in	0.453 in	8.429 in	0.36 lb
81689	Metric	15mm	1.122 in	1.181 in	17mm	0.453 in	0.512 in	9.303 in	0.36 lb
81690	Metric	16mm	1.122 in	1.252 in	18mm	0.453 in	0.559 in	10.169 in	0.63 lb
81692	Metric	19mm	1.465 in	1.37 in	21mm	0.559 in	0.579 in	11.146 in	0.58 lb

6 Pc. SAE Flare Nut Wrench Set

- Hex shaped heads give more points of contact on the fastener to prevent damage
- Ideal for use on hex nuts made of softer materials
- 15° offset wrench heads
- Sizes stamped on both sides of the wrench beam for quick identification
- Manufactured from alloy steel for better strength and longer tool life
- Bright, full polish chrome finish easily wipes clean and resists corrosion
- Included tray for storage and organization



Cat. No.	Included Storage	Product Weight
81907	Tray	2.43 lb



Cat. No.	Description	Cat. No.	Description
81680	1/4" x 5/16" Flare Nut Wrench	81683	5/8" x 11/16" Flare Nut Wrench
81681	3/8" x 7/16" Flare Nut Wrench	81684	5/8" x 3/4" Flare Nut Wrench
81682	1/2" x 9/16" Flare Nut Wrench	81685	3/4" x 7/8" Flare Nut Wrench

6 Pc. Metric Flare Nut Wrench Set

- Hex shaped heads give more points of contact on the fastener to prevent damage
- Ideal for use on hex nuts made of softer materials
- 15° offset wrench heads
- Sizes stamped on both sides of the wrench beam for quick identification
- Manufactured from alloy steel for better strength and longer tool life
- Bright, full polish chrome finish easily wipes clean and resists corrosion
- Included tray for storage and organization



Cat. No.	Included Storage	Product Weight
81906	Tray	2.65 lb



Cat. No.	Description	Cat. No.	Description
81644	9mm x 11mm Flare Nut Wrench	81647	15mm x 17mm Flare Nut Wrench
81645	10mm x 12mm Flare Nut Wrench	81648	16mm x 18mm Flare Nut Wrench
81646	13mm x 14mm Flare Nut Wrench	81649	19mm x 21mm Flare Nut Wrench

Flare Nut Wrenches

- Hex shaped heads give more points of contact on the fastener to prevent damage
- Ideal for use on hex nuts made of softer materials
- 15° offset wrench heads
- Sizes stamped on both sides of the wrench beam for quick identification
- Manufactured from alloy steel for better strength and longer tool life
- Bright, full polish chrome finish easily wipes clean and resists corrosion



Cat. No.	SAE/Metric	End A Fastener Size	End A Width	End A Thickness	End B Fastener Size	End B Width	End B Thickness	Overall Length	Product Weight
81680	SAE	1/4 in	0.63 in	0.681 in	5/16 in	0.236 in	0.268 in	5.118 in	0.11 lb
81681	SAE	3/8 in	0.764 in	0.87 in	7/16 in	0.323 in	0.35 in	5.984 in	0.15 lb
81682	SAE	1/2 in	0.98 in	1.028 in	9/16 in	0.386 in	0.409 in	7.035 in	0.26 lb
81683	SAE	5/8 in	1.083 in	1.197 in	11/16 in	0.441 in	0.476 in	7.614 in	0.39 lb
81684	SAE	5/8 in	1.142 in	1.26 in	3/4 in	0.457 in	0.496 in	8.287 in	0.46 lb
81685	SAE	3/4 in	1.323 in	1.461 in	7/8 in	0.516 in	0.539 in	8.858 in	0.60 lb
81644	Metric	9mm	0.764 in	0.87 in	11mm	0.323 in	0.35 in	5.984 in	0.20 lb
81645	Metric	10mm	0.827 in	0.925 in	12mm	0.339 in	0.37 in	6.535 in	0.22 lb
81646	Metric	13mm	0.98 in	1.028 in	14mm	0.386 in	0.409 in	7.035 in	0.29 lb
81647	Metric	15mm	1.083 in	1.197 in	17mm	0.441 in	0.476 in	7.614 in	0.40 lb
81648	Metric	16mm	1.142 in	1.26 in	18mm	0.457 in	0.496 in	8.287 in	0.46 lb
81649	Metric	19mm	1.323 in	1.461 in	21mm	0.516 in	0.539 in	8.858 in	0.62 lb

11 Pc. 3/8" Drive SAE Ratcheting Crowfoot Wrench Set

- Allows access to fasteners in confined spaces where a wrench or socket will not fit
- Quickly ratchet nuts and bolts without removing the fastener from the wrench
- Size markings laser etched on both sides of the head for easy identification
- Arrow stamped on the head clearly identifies the direction of rotation
- Bright, full polish chrome finish easily wipes clean and resists corrosion
- Meets or exceeds ASME requirements
- Included blow mold case for storage and organization



Cat. No.	Included Storage	Product Weight
89118	Blow Mold Case	2.20 lb

Cat. No.	Description	Cat. No.	Description
89120	3/8" Drive Ratcheting Crowfoot SAE Wrench 3/8"	89126	3/8" Drive Ratcheting Crowfoot SAE Wrench 3/4"
89121	3/8" Drive Ratcheting Crowfoot SAE Wrench 7/16"	89127	3/8" Drive Ratcheting Crowfoot SAE Wrench 13/16"
89122	3/8" Drive Ratcheting Crowfoot SAE Wrench 1/2"	89128	3/8" Drive Ratcheting Crowfoot SAE Wrench 7/8"
89123	3/8" Drive Ratcheting Crowfoot SAE Wrench 9/16"	89129	3/8" Drive Ratcheting Crowfoot SAE Wrench 15/16"
89124	3/8" Drive Ratcheting Crowfoot SAE Wrench 5/8"	89130	3/8" Drive Ratcheting Crowfoot SAE Wrench 1"
89125	3/8" Drive Ratcheting Crowfoot SAE Wrench 11/16"		

10 Pc. 3/8" Drive Metric Ratcheting Crowfoot Wrench Set

- Allows access to fasteners in confined spaces where a wrench or socket will not fit
- Quickly ratchet nuts and bolts without removing the fastener from the wrench
- Size markings laser etched on both sides of the head for easy identification
- Arrow stamped on the head clearly identifies the direction of rotation
- Bright, full polish chrome finish easily wipes clean and resists corrosion
- Meets or exceeds ASME requirements
- Included blow mold case for storage and organization



Cat. No.	Included Storage	Product Weight
89119	Blow Mold Case	1.30 lb

Cat. No.	Description	Cat. No.	Description
89140	3/8" Drive Ratcheting Crowfoot Metric Wrench 10mm	89145	3/8" Drive Ratcheting Crowfoot Metric Wrench 15mm
89141	3/8" Drive Ratcheting Crowfoot Metric Wrench 11mm	89146	3/8" Drive Ratcheting Crowfoot Metric Wrench 16mm
89142	3/8" Drive Ratcheting Crowfoot Metric Wrench 12mm	89147	3/8" Drive Ratcheting Crowfoot Metric Wrench 17mm
89143	3/8" Drive Ratcheting Crowfoot Metric Wrench 13mm	89148	3/8" Drive Ratcheting Crowfoot Metric Wrench 18mm
89144	3/8" Drive Ratcheting Crowfoot Metric Wrench 14mm	89149	3/8" Drive Ratcheting Crowfoot Metric Wrench 19mm

3/8" Drive Ratcheting Crowfoot Wrenches

- Allows access to fasteners in confined spaces where a wrench or socket will not fit
- Quickly ratchet nuts and bolts without removing the fastener from the wrench
- Size markings laser etched for easy identification
- Arrow stamped on the head clearly identifies the direction of rotation
- Bright, full polish chrome finish easily wipes clean and resists corrosion
- Meets or exceeds ASME requirements



Cat. No.	SAE/Metric	Fastener Size	End A Width	End A Thickness	End A Length	Product Weight
89120	SAE	3/8 in	0.909 in	0.224 in	1.378 in	0.04 lb
89121	SAE	7/16 in	0.988 in	0.252 in	1.417 in	0.05 lb
89122	SAE	1/2 in	1.134 in	0.319 in	1.575 in	0.09 lb
89123	SAE	9/16 in	1.244 in	0.327 in	1.654 in	0.10 lb
89124	SAE	5/8 in	1.35 in	0.346 in	1.772 in	0.12 lb
89125	SAE	11/16 in	1.476 in	0.362 in	1.89 in	0.14 lb
89126	SAE	3/4 in	1.602 in	0.374 in	2.047 in	0.19 lb
89127	SAE	13/16 in	1.803 in	0.425 in	2.205 in	0.24 lb
89128	SAE	7/8 in	1.866 in	0.449 in	2.283 in	0.29 lb
89129	SAE	15/16 in	1.992 in	0.465 in	2.362 in	0.32 lb
89130	SAE	1 in	2.087 in	0.476 in	2.441 in	0.32 lb
89140	Metric	10 mm	0.909 in	0.224 in	1.378 in	0.04 lb
89141	Metric	11 mm	0.988 in	0.252 in	1.417 in	0.05 lb
89142	Metric	12 mm	1.094 in	0.291 in	1.496 in	0.09 lb
89143	Metric	13 mm	1.134 in	0.319 in	1.575 in	0.10 lb
89144	Metric	14 mm	1.244 in	0.327 in	1.654 in	0.12 lb
89145	Metric	15 mm	1.331 in	0.327 in	1.693 in	0.14 lb
89146	Metric	16 mm	1.35 in	0.346 in	1.772 in	0.19 lb
89147	Metric	17 mm	1.476 in	0.362 in	1.89 in	0.24 lb
89148	Metric	18 mm	1.539 in	0.37 in	1.969 in	0.29 lb
89149	Metric	19 mm	1.602 in	0.374 in	2.047 in	0.32 lb

11 Pc. 3/8" Drive SAE Crowfoot Wrench Set

- Allows access to fasteners in confined spaces where a wrench or socket will not fit
- Size markings are stamped on head for easy identification
- Bright, full polish chrome finish easily wipes clean and resists corrosion
- Included tray for storage and organization



Cat. No.	Included Storage	Product Weight
81908	Tray	1.98 lb

Cat. No.	Description	Cat. No.	Description
81603	3/8" Drive Crowfoot SAE Wrench 3/8"	81609	3/8" Drive Crowfoot SAE Wrench 3/4"
81604	3/8" Drive Crowfoot SAE Wrench 7/16"	81610	3/8" Drive Crowfoot SAE Wrench 13/16"
81605	3/8" Drive Crowfoot SAE Wrench 1/2"	81611D	3/8" Drive Crowfoot SAE Wrench 7/8"
81606	3/8" Drive Crowfoot Metric Wrench 9/16"	81612D	3/8" Drive Crowfoot SAE Wrench 15/16"
81607	3/8" Drive Crowfoot SAE Wrench 5/8"	81613	3/8" Drive Crowfoot SAE Wrench 1"
81608	3/8" Drive Crowfoot SAE Wrench 11/16"		

10 Pc. 3/8" Drive Metric Crowfoot Wrench Set

- Allows access to fasteners in confined spaces where a wrench or socket will not fit
- Size markings are stamped on head for easy identification
- Bright, full polish chrome finish easily wipes clean and resists corrosion
- Included tray for storage and organization



Cat. No.	Included Storage	Product Weight
81909	Tray	1.43 lb

Cat. No.	Description	Cat. No.	Description
81614	3/8" Drive Crowfoot Metric Wrench 10mm	81619	3/8" Drive Crowfoot Metric Wrench 15mm
81615	3/8" Drive Crowfoot Metric Wrench 11mm	81620	3/8" Drive Crowfoot Metric Wrench 16mm
81616	3/8" Drive Crowfoot Metric Wrench 12mm	81621	3/8" Drive Crowfoot Metric Wrench 17mm
81617	3/8" Drive Crowfoot Metric Wrench 13mm	81622	3/8" Drive Crowfoot Metric Wrench 18mm
81618	3/8" Drive Crowfoot Metric Wrench 14mm	81623	3/8" Drive Crowfoot Metric Wrench 19mm

3/8" Drive Crowfoot Wrenches

- Allows access to fasteners in confined spaces where a wrench or socket will not fit
- Size markings are stamped on head for easy identification
- Bright, full polish chrome finish easily wipes clean and resists corrosion



Cat. No.	SAE/Metric	Fastener Size	End A Width	End A Thickness	End B Width	End B Thickness	Overall Length	Product Weight
81603	SAE	3/8 in	0.885 in	.187 in	.731 in	.431 in	1.345 in	0.09 lb
81604	SAE	7/16 in	.963 in	.195 in	.728 in	.435 in	1.362 in	0.09 lb
81605	SAE	1/2 in	1.045 in	.215 in	.74 in	.436 in	1.44 in	0.09 lb
81606	SAE	9/16 in	1.2 in	.248 in	.73 in	.423 in	1.526 in	0.09 lb
81607	SAE	5/8 in	1.32 in	.29 in	.734 in	.415 in	1.656 in	0.13 lb
81608	SAE	11/16 in	1.44 in	.305 in	.735 in	.44 in	1.752 in	0.13 lb
81609	SAE	3/4 in	1.605 in	.312 in	.742 in	.445 in	1.883 in	0.15 lb
81610	SAE	13/16 in	1.794 in	.325 in	.887 in	.445 in	2.068 in	0.22 lb
81611D	SAE	7/8 in	1.865 in	.335 in	.899 in	.445 in	2.085 in	0.22 lb
81612D	SAE	15/16 in	1.928 in	.344 in	.901 in	.443 in	2.172 in	0.29 lb
81613	SAE	1 in	1.916 in	.345 in	.881 in	.44 in	2.148 in	0.29 lb
81614	Metric	10 mm	.885 in	.194 in	.729 in	.427 in	1.331 in	0.09 lb
81615	Metric	11 mm	.958 in	.197 in	.728 in	.436 in	1.372 in	0.09 lb
81616	Metric	12 mm	1.065 in	.2 in	.733 in	.439 in	1.442 in	0.09 lb
81617	Metric	13 mm	1.063 in	.221 in	.732 in	.438 in	1.447 in	0.09 lb
81618	Metric	14 mm	1.2 in	.224 in	.723 in	.424 in	1.547 in	0.09 lb
81619	Metric	15 mm	1.325 in	.275 in	.735 in	.414 in	1.653 in	0.12 lb
81620	Metric	16 mm	1.318 in	.3 in	.735 in	.412 in	1.658 in	0.12 lb
81621	Metric	17 mm	1.454 in	.299 in	.749 in	.432 in	1.776 in	0.12 lb
81622	Metric	18 mm	1.438 in	.295 in	.732 in	.428 in	1.775 in	0.13 lb
81623	Metric	19 mm	1.6 in	.314 in	.736 in	.446 in	1.9 in	0.16 lb

Adjustable Face Spanner Wrenches

- Adjustable span allows wrenches to fit a range of collar sizes
- Forged from durably strong alloy steel
- Black oxide finish to resist corrosion
- Hard stamped size markings on the handle for quick identification
- Meets or exceeds US Federal Specification GGG-W-665C



Cat. No.	Capacity Diameter Adjustable Min	Capacity Diameter Adjustable Max	Pin Diameter	Pin Height	Overall Length	Product Weight
81850	0 in	2 in	.184 in	.131 in	6.3 in	.36 lb
81851	0 in	3 in	.245 in	.194 in	8.13 in	.66 lb
81852	0 in	4 in	.307 in	.256 in	10.28 in	1.01 lb

Adjustable Pin Spanner Wrenches

- Adjustable span allows wrenches to fit a range of collar sizes
- Forged from durably strong alloy steel
- Black oxide finish to resist corrosion
- Hard stamped size markings on the handle for quick identification
- Pin diameter stamped on each handle
- Meets or exceeds US Federal Specification GGG-W-665C



Cat. No.	Capacity Diameter Adjustable Min	Capacity Diameter Adjustable Max	Pin Diameter	Pin Height	Overall Length	Product Weight
81860	.75 in	2 in	.127 in	.129 in	6.2 in	.28 lb
81861	.75 in	2 in	.184 in	.16 in	6.2 in	.28 lb
81862	1.25 in	3 in	.184 in	.188 in	7.8 in	.54 lb
81863	1.25 in	3 in	.245 in	.221 in	7.8 in	.55 lb
81864	2 in	4.75 in	.245 in	.253 in	10.87 in	1.07 lb
81865	4.5 in	6.25 in	.37 in	.253 in	11.97 in	1.18 lb

Adjustable Hook Spanner Wrenches

- Adjustable span allows wrenches to fit a range of collar sizes
- Forged from durably strong alloy steel
- Black oxide finish to resist corrosion
- Hard stamped size markings on the handle for quick identification
- Meets or exceeds US Federal Specification GGG-W-665C



Cat. No.	Capacity Diameter Adjustable Min	Capacity Diameter Adjustable Max	Overall Length	Product Weight
81854	.75 in	2 in	6.3 in	.28 lb
81855	1.25 in	3 in	7.87 in	.56 lb
81856	2 in	4.75 in	10.87 in	1.05 lb
81857	4.5 in	6.25 in	11.97 in	1.17 lb
81858	6.125 in	8.75 in	11.97 in	1.31 lb

6 Point Straight Slugging Wrenches

- Perfect when the extreme force or torque of a sledge is necessary to loosen or tighten large fasteners
- Large striking surface gives you more efficient hammer contact for applying force to the fastener
- Handle length permits use in confined areas
- Designed to remain engaged with the fastener when the wrench is struck
- Straight rectangular design withstands heavy sledging, resists springing, and transmits force more effectively to the fastener
- Manufactured from alloy steel and heat-treated for greater strength and durability
- Meets or exceeds US Federal Spec. GGG-W-636E
- Made in the USA



Cat. No.	SAE/Metric	Fastener Size	End A Width	End A Thickness	End B Width	End B Thickness	Overall Length	Product Weight
82321	SAE	1-1/16 in	1.718 in	.625 in	1 in	.812 in	9.88 in	1.730 lb
82322	SAE	1-1/4 in	1.906 in	.718 in	1 in	.812 in	10.25 in	1.740 lb
82323	SAE	1-7/16 in	2.156 in	.875 in	1.125 in	.968 in	10.56 in	2.540 lb
82324	SAE	1-5/8 in	2.375 in	.968 in	1.218 in	1.968 in	11 in	2.970 lb
82325	SAE	1-13/16 in	2.562 in	1 in	1.25 in	1.093 in	11.31 in	3.380 lb
82326	SAE	2 in	2.875 in	1.218 in	1.5 in	1.218 in	11.69 in	4.280 lb
82327	SAE	2-3/16 in	3.125 in	1.25 in	1.625 in	1.25 in	12 in	5.150 lb
82328	SAE	2-3/8 in	3.25 in	1.437 in	1.5 in	1.25 in	12.38 in	5.620 lb
82329	SAE	2-9/16 in	3.562 in	1.531 in	1.5 in	1.312 in	12.69 in	6.430 lb
82330	SAE	2-3/4 in	4 in	1.531 in	1.562 in	1.312 in	13.06 in	6.870 lb
82331	SAE	2-15/16 in	4.187 in	1.531 in	1.562 in	1.312 in	13.44 in	7.910 lb
82332	SAE	3-1/8 in	4.281 in	1.625 in	1.75 in	1.5 in	13.81 in	9.530 lb
82333	SAE	3-1/2 in	4.781 in	1.718 in	1.875 in	1.625 in	14.12 in	10.300 lb
82334	SAE	3-7/8 in	5.34 in	1.718 in	2.062 in	1.75 in	14.5 in	13.100 lb

12 Point Straight Slugging Wrenches

- Perfect when the extreme force or torque of a sledge is necessary to loosen or tighten large fasteners
- Large striking surface gives you more efficient hammer contact for applying force to the fastener
- Handle length permits use in confined areas
- Designed to remain engaged with the fastener when the wrench is struck
- Straight rectangular design withstands heavy sledging, resists springing, and transmits force more effectively to the fastener
- Manufactured from alloy steel and heat-treated for greater strength and durability
- Meets or exceeds US Federal Spec. GGG-W-636E
- Made in the USA



Cat. No.	SAE/Metric	Fastener Size	End A Width	End A Thickness	End B Width	End B Thickness	Overall Length	Product Weight
82368	SAE	1-1/4 in	2 in	.781 in	1 in	.812 in	10.25 in	1.750 lb
82369	SAE	1-5/16 in	2 in	.781 in	1 in	.812 in	10.25 in	1.750 lb
82370	SAE	1-3/8 in	2.281 in	.875 in	1.125 in	.968 in	10.56 in	2.580 lb
82371	SAE	1-7/16 in	2.281 in	.875 in	1.125 in	.968 in	10.56 in	2.480 lb
82372	SAE	1-1/2 in	2.281 in	.875 in	1.125 in	.968 in	10.56 in	2.450 lb
82373	SAE	1-5/8 in	2.5 in	.968 in	1.218 in	1.031 in	11 in	2.970 lb
82374	SAE	1-11/16 in	2.468 in	.968 in	1.218 in	1.031 in	11 in	2.920 lb
82375	SAE	1-3/4 in	2.656 in	1 in	1.25 in	1.093 in	11.31 in	3.440 lb
82376	SAE	1-13/16 in	2.656 in	1 in	1.25 in	1.093 in	11.31 in	3.330 lb
82377	SAE	1-7/8 in	2.656 in	1 in	1.25 in	1.093 in	11.31 in	3.290 lb
82378	SAE	2 in	3.031 in	1.218 in	1.5 in	1.218 in	11.69 in	4.600 lb
82379	SAE	2-1/16 in	3.031 in	1.218 in	1.5 in	1.218 in	11.69 in	4.460 lb
82380	SAE	2-1/8 in	3.281 in	1.25 in	1.625 in	1.25 in	12 in	5.230 lb
82381	SAE	2-3/16 in	3.281 in	1.25 in	1.625 in	1.25 in	12 in	5.140 lb
82382	SAE	2-1/4 in	3.406 in	1.437 in	1.5 in	1.25 in	12.38 in	6.000 lb
82383	SAE	2-3/8 in	3.406 in	1.437 in	1.5 in	1.25 in	12.38 in	5.330 lb
82384	SAE	2-7/16 in	3.75 in	1.531 in	1.5 in	1.312 in	12.69 in	6.000 lb
82385	SAE	2-1/2 in	3.75 in	1.531 in	1.5 in	1.312 in	12.69 in	6.600 lb
82386	SAE	2-9/16 in	3.75 in	1.531 in	1.5 in	1.312 in	12.69 in	6.210 lb
82387	SAE	2-5/8 in	3.75 in	1.531 in	1.5 in	1.312 in	12.69 in	6.150 lb
82388	SAE	2-3/4 in	4.187 in	1.531 in	1.562 in	1.312 in	13.06 in	6.840 lb
82389	SAE	2-13/16 in	4.375 in	1.531 in	1.562 in	1.312 in	13.44 in	7.500 lb
82390	SAE	2-15/16 in	4.375 in	1.531 in	1.562 in	1.312 in	13.44 in	7.490 lb
82391	SAE	3 in	4.5 in	1.625 in	1.75 in	1.5 in	13.81 in	9.400 lb
82392	SAE	3-1/8 in	4.5 in	1.625 in	1.75 in	1.5 in	13.81 in	9.680 lb
82393	SAE	3-3/8 in	4.968 in	1.718 in	1.875 in	1.625 in	14.12 in	14.120 lb
82394	SAE	3-1/2 in	4.968 in	1.718 in	1.875 in	1.625 in	14.12 in	10.360 lb
82395	SAE	3-3/4 in	5.562 in	1.718 in	2.062 in	1.75 in	14.5 in	12.950 lb
82396	SAE	3-7/8 in	5.562 in	1.718 in	2.062 in	1.75 in	14.5 in	13.120 lb
82397	SAE	4-1/8 in	6.75 in	2.875 in	3.156 in	1.875 in	16.21 in	31.270 lb
82398	SAE	4-1/4 in	6.75 in	2.875 in	3.156 in	1.875 in	16.21 in	30.750 lb
82399	SAE	4-1/2 in	7.25 in	3 in	3.156 in	1.875 in	18.21 in	36.650 lb
82400	SAE	4-5/8 in	7.25 in	3 in	3.156 in	1.875 in	18.21 in	36.160 lb

12 Point 45° Offset Striking Wrenches

- Perfect when the extreme force or torque of a sledge is necessary to loosen or tighten large fasteners
- Large striking surface gives you more efficient hammer contact for applying force to the fastener
- Handle length permits use in confined areas
- Designed to remain engaged with the fastener when the wrench is struck
- Offset, round handle design to avoid obstructions
- Manufactured from alloy steel and heat-treated for greater strength and durability
- Meets or exceeds US Federal Spec. GGG-W-636E
- Made in the USA



WRENCHES

Cat. No.	SAE/Metric	Fastener Size	End A Width	End A Thickness	End B Width	End B Thickness	Overall Length	Product Weight
82340	SAE	1-1/16 in	1.781 in	.625 in	.812 in	2.5 in	10.09 in	1.830 lb
82341	SAE	1-1/8 in	1.781 in	.625 in	.812 in	2.5 in	10.09 in	1.770 lb
82342	SAE	1-3/16 in	2 in	.718 in	.812 in	2.5 in	11.1 in	2.670 lb
82343	SAE	1-1/4 in	2 in	.718 in	.812 in	2.5 in	11.1 in	2.580 lb
82344	SAE	1-5/16 in	2 in	.718 in	.812 in	2.5 in	11.1 in	2.530 lb
82345	SAE	1-3/8 in	2.25 in	.875 in	.968 in	2.625 in	11.6 in	3.420 lb
82346	SAE	1-7/16 in	2.25 in	.875 in	.968 in	2.625 in	11.6 in	3.800 lb
82347	SAE	1-1/2 in	2.25 in	.875 in	.968 in	2.625 in	11.6 in	3.240 lb
82348	SAE	1-5/8 in	2.5 in	.968 in	1.031 in	2.875 in	12.12 in	3.880 lb
82349	SAE	1-11/16 in	2.468 in	.968 in	1.031 in	2.875 in	12.12 in	3.980 lb
82350	SAE	1-3/4 in	2.656 in	1 in	1.093 in	2.875 in	12.12 in	3.800 lb
82351	SAE	1-13/16 in	2.656 in	1 in	1.093 in	2.875 in	13.23 in	5.250 lb
82352	SAE	1-7/8 in	2.656 in	1 in	1.093 in	2.875 in	13.23 in	5.220 lb
82353	SAE	1-15/16 in	3.031 in	1.218 in	1.218 in	2.875 in	13.23 in	5.150 lb
82354	SAE	2 in	3.031 in	1.218 in	1.218 in	2.875 in	13.23 in	5.100 lb
82355	SAE	2-1/8 in	3.281 in	1.25 in	1.25 in	3 in	13.72 in	7.290 lb
82356	SAE	2-3/16 in	3.281 in	1.25 in	1.25 in	3 in	13.72 in	6.750 lb
82357	SAE	2-1/4 in	3.406 in	1.437 in	1.25 in	3 in	13.72 in	6.630 lb
82358	SAE	2-5/16 in	3.406 in	1.437 in	1.25 in	3 in	14.19 in	7.800 lb
82359	SAE	2-3/8 in	3.375 in	1.531 in	1.312 in	3 in	14.19 in	7.850 lb
82360	SAE	2-1/2 in	3.375 in	1.531 in	1.312 in	3 in	14.19 in	7.540 lb
82361	SAE	2-9/16 in	3.375 in	1.531 in	1.312 in	3 in	18 in	10.680 lb
82362	SAE	2-5/8 in	3.375 in	1.531 in	1.312 in	3 in	18 in	10.460 lb
82363	SAE	2-3/4 in	4.187 in	1.531 in	1.312 in	3 in	18 in	10.130 lb
82364	SAE	2-7/8 in	4.375 in	1.531 in	1.312 in	3 in	18 in	13.970 lb
82365	SAE	2-15/16 in	4.375 in	1.531 in	1.312 in	3 in	18 in	13.770 lb
82366	SAE	3 in	4.5 in	1.625 in	1.5 in	3 in	18 in	14.440 lb
82367	SAE	3-1/8 in	4.5 in	1.625 in	1.5 in	3 in	18 in	13.040 lb

RATCHETS, SOCKETS, AND DRIVE TOOLS

WRENCHES

IMPACT

TORQUE WRENCHES

SCREWDRIVERS & NUTDRIVERS

PLIERS

CUTTING AND FILING

STRIKING AND STRUCK

PRY BARS

LIGHTING

AUTOMOTIVE SPECIALTY

TOOL STORAGE

MASTER SETS

